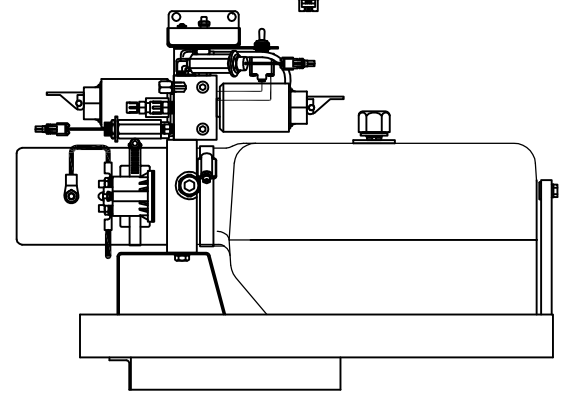
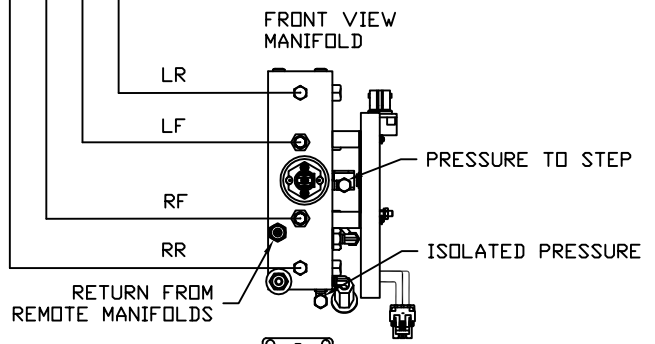
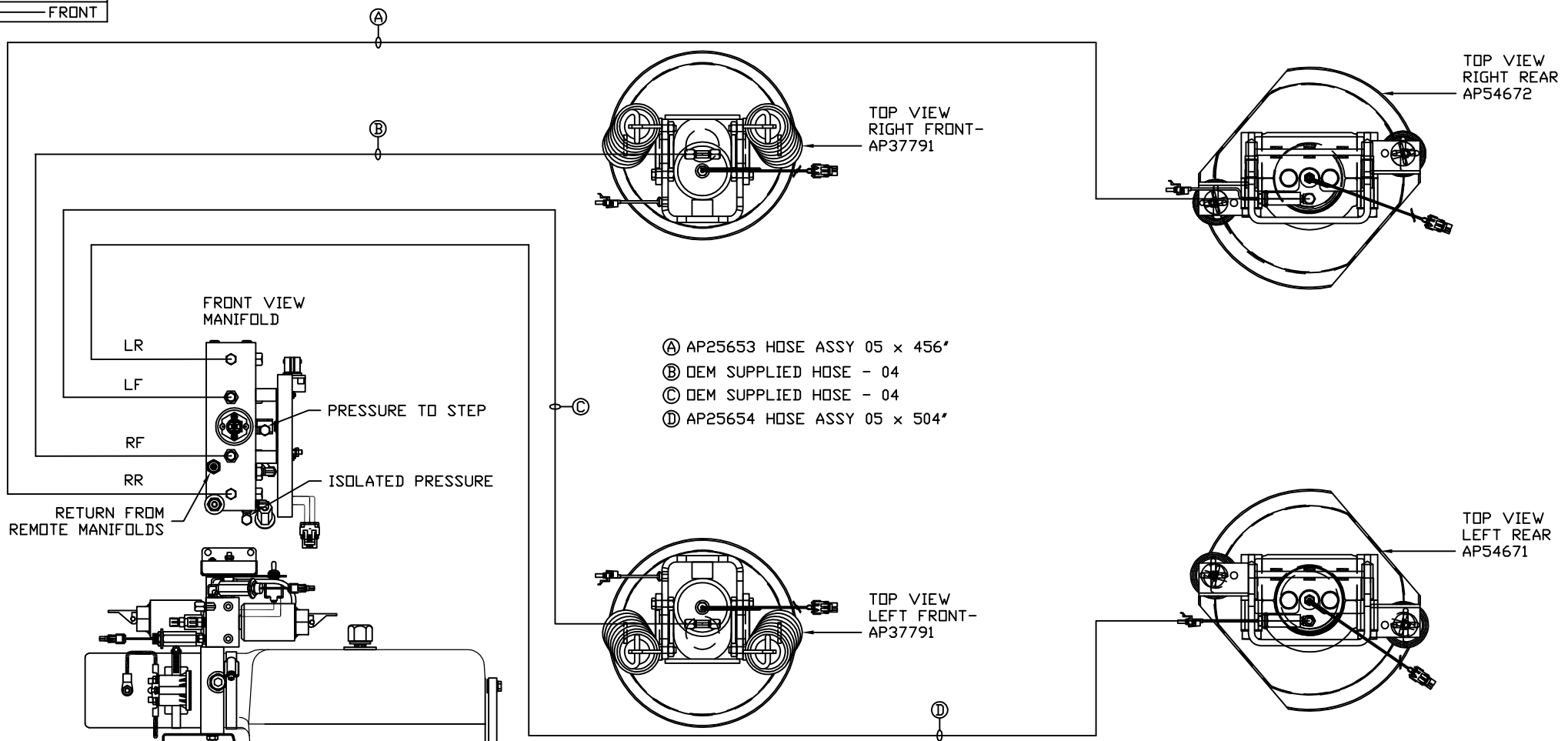


ORIENTATION  
← FRONT



SIDE VIEW PUMP/MANIFOLD-AP55999

LOCATION AND ORIENTATION OF PUMP/MANIFOLD ASSEMBLY WILL DIFFER DEPENDING UPON O.E.M.

- Ⓐ AP25653 HOSE ASSY 05 x 456"
- Ⓑ DEM SUPPLIED HOSE - 04
- Ⓒ DEM SUPPLIED HOSE - 04
- Ⓓ AP25654 HOSE ASSY 05 x 504"

NOTE: INSTALLATION MUST CONFORM TO GOOD SHOP PRACTICES, SAE STANDARDS, RVIA STANDARDS, AND OTHER APPLICABLE STANDARDS.

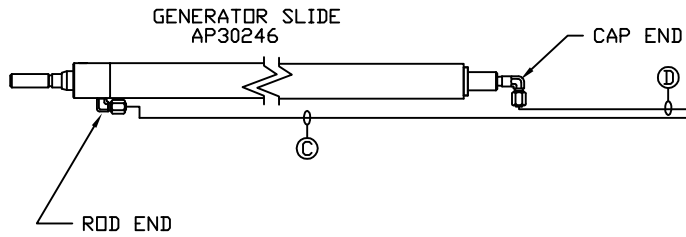
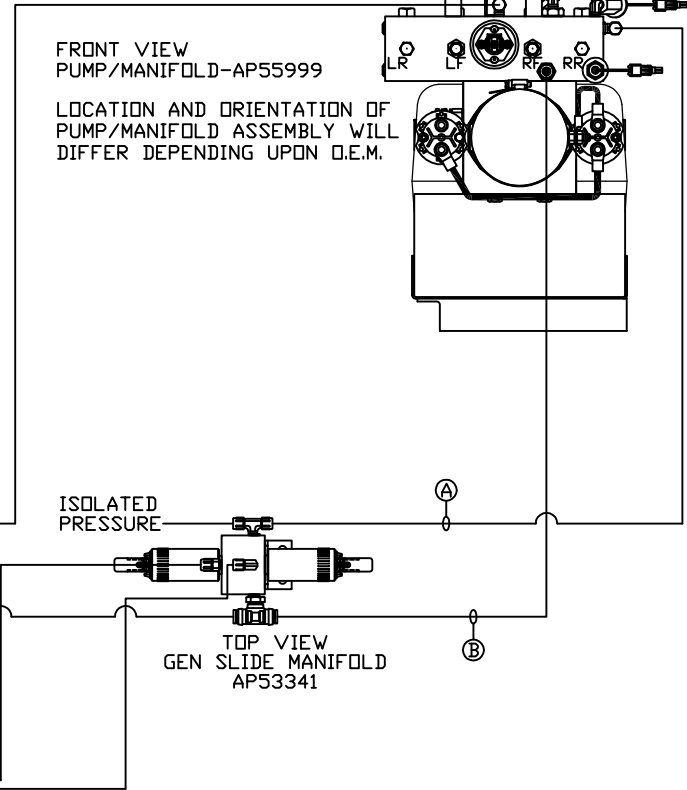
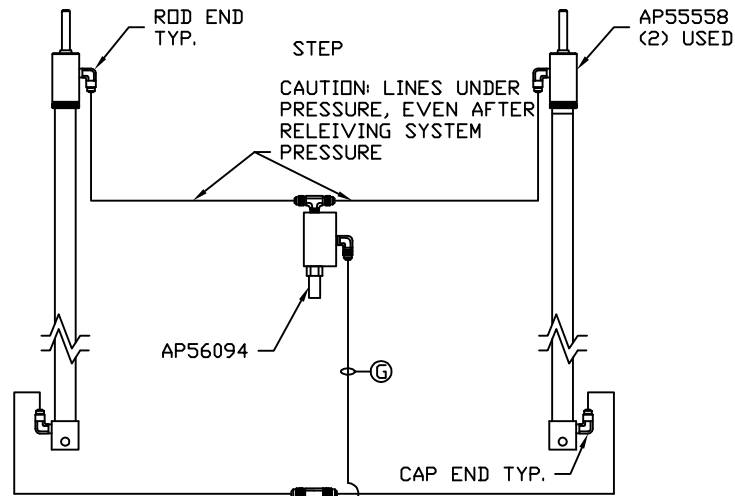
LEVELING SYSTEM: AP56077

		HWH		I-80 EXIT 267 SOUTH RT 1 MOSCOW, IOWA 52760										
		SCALE 1:6	DATE 25JAN17	DRAWN BY .										
		HYD CONN DIAGRAM												
		NEWMAR		DRAWING NUMBER MP71045 A/B										
		<table border="1" style="width: 100%; border-collapse: collapse;"> <thead> <tr> <th style="width: 10%;">NO.</th> <th style="width: 15%;">DATE</th> <th style="width: 75%;">REVISION</th> </tr> </thead> <tbody> <tr> <td> </td> <td> </td> <td> </td> </tr> <tr> <td> </td> <td> </td> <td> </td> </tr> </tbody> </table>				NO.	DATE	REVISION						
NO.	DATE	REVISION												
THE INFORMATION DISCLOSED ON THIS DRAWING IS CONFIDENTIAL AND MUST NOT BE DISCLOSED OR USED IN ANY MANNER WHICH WILL BE DETRIMENTAL TO THE HWH CORPORATION														

**ORIENTATION**

← FRONT

- Ⓐ HOSE ASSY 04  
PRESSURE
- Ⓑ .375" OD NYLON TUBING  
RETURN
- Ⓒ HOSE ASSY 04  
ROD END - ALWAYS PRESSURIZED
- Ⓓ HOSE ASSY 04  
CAP END
- Ⓔ HOSE ASSY 04  
PRESSURE
- Ⓕ .375" OD NYLON TUBING  
RETURN
- Ⓖ HOSE ASSY 04  
ROD END - ALWAYS PRESSURIZED
- Ⓗ HOSE ASSY 04  
CAP END



NOTE: INSTALLATION MUST CONFORM TO GOOD SHOP PRACTICES, SAE STANDARDS, RVIA STANDARDS, AND OTHER APPLICABLE STANDARDS.