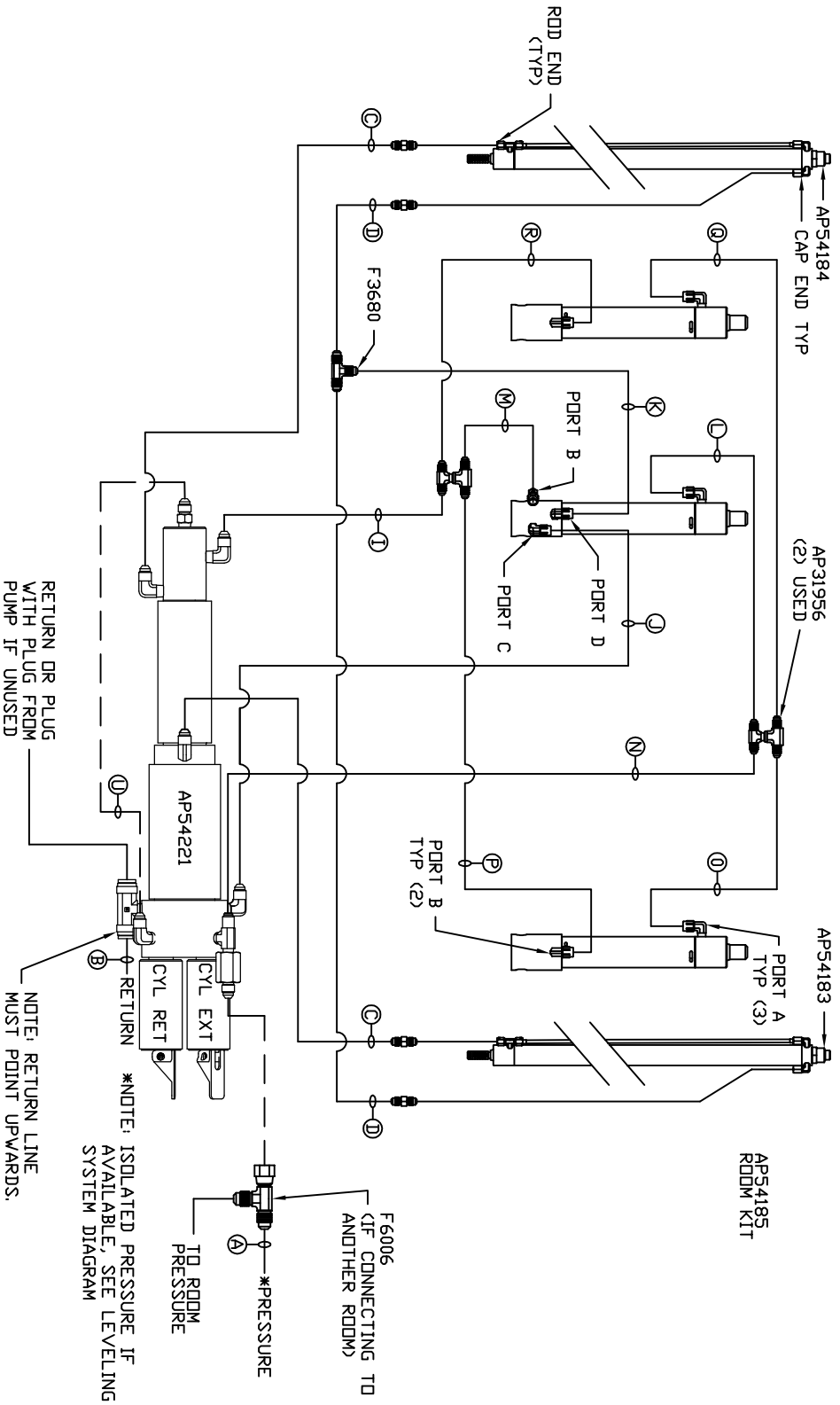


- Ⓐ HOSE ASSY 04
PRESSURE
- Ⓑ .375" OD NYLON TUBING
RETURN
- Ⓒ HOSE ASSY 03
ROD END - ALWAYS PRESSURIZED
HOSES MUST BE HIGH PRESSURE
AND OF EQUAL LENGTH AND DIAMETER
- Ⓓ HOSE ASSY 04
CAP END - HOSES MUST MAINTAIN
EQUAL LENGTH AND DIAMETER
- Ⓛ HOSE ASSY 04
CAP END (LIFT) WAS AP4060
- Ⓜ HOSE ASSY 04
CAP END (ROOM)
- Ⓝ HOSE ASSY 03
CAP END (ROOM)
- Ⓟ HOSE ASSY 03
ROD END (LIFT) ALWAYS PRESSURIZED
- Ⓠ HOSE ASSY 04
CAP END (LIFT)
- Ⓡ HOSE ASSY 03
ROD END (LIFT) ALWAYS PRESSURIZED
- Ⓢ HOSE ASSY 03
ROD END (LIFT) ALWAYS PRESSURIZED
- Ⓣ HOSE ASSY 03
ROD END (LIFT) ALWAYS PRESSURIZED
- Ⓤ HOSE ASSY 04
CAP END (LIFT)
- Ⓡ HOSE ASSY 04
CAP END (LIFT)



NOTES:
FOR CONNECTION CLARITY ONLY THE CYLINDERS ARE SHOWN.

HOSE Ⓟ IS INCLUDED WITH THE SYNC. CYLINDER.

NOTE: INSTALLATION MUST CONFORM TO GOOD SHOP PRACTICES, SAE STANDARDS, RVIA STANDARDS, AND OTHER APPLICABLE STANDARDS.

NO.	DATE	REVISION				
HWH 1-80 EXIT 267 SOUTH RT 1 MOSCOW, IOWA 52760 SCALE 1:6 DATE 27 JAN 17 DRAWN BY . HYD CONN DIAGRAM NEWMAR DRAWING NUMBER MP71053						