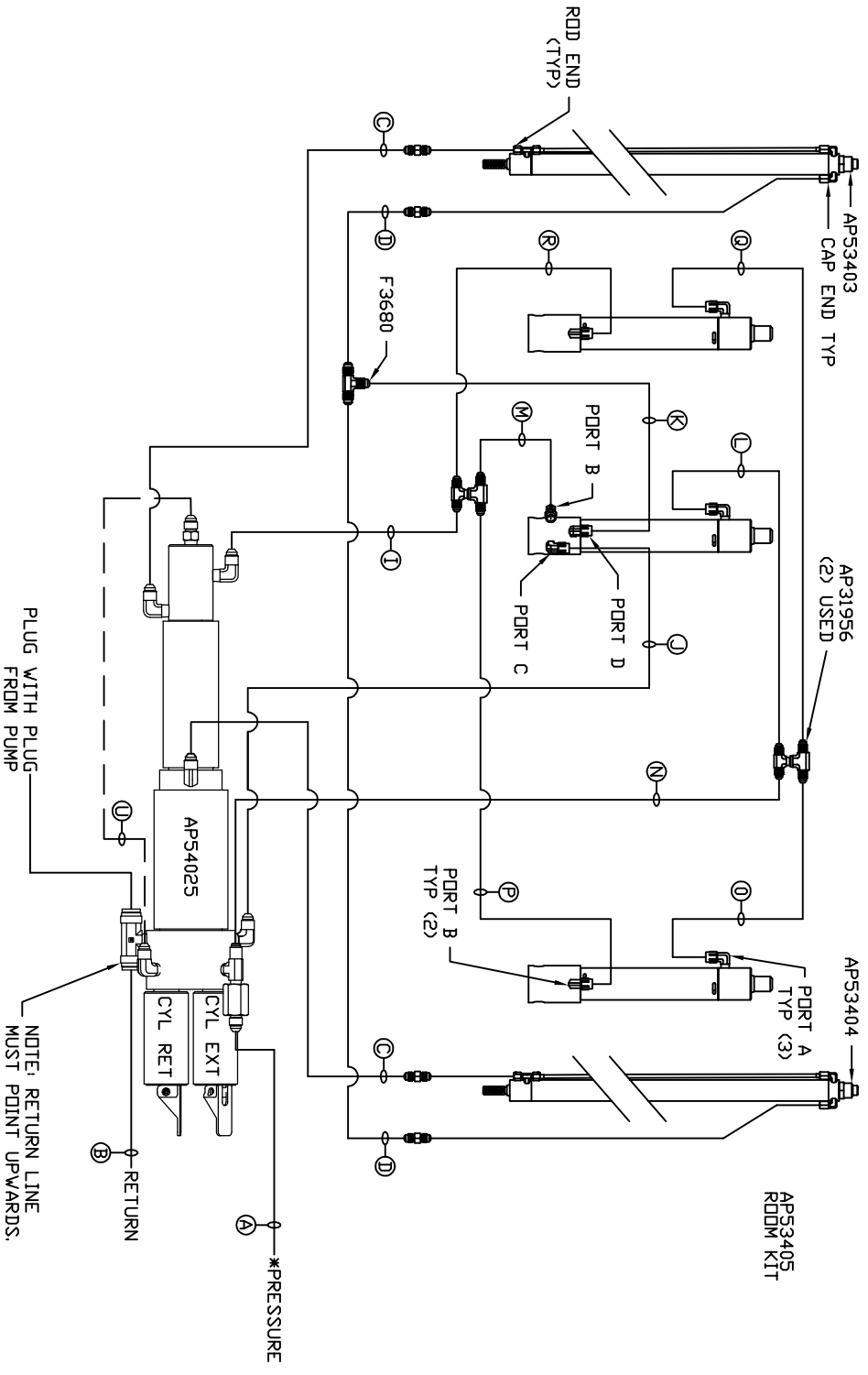


- Ⓐ HOSE ASSY 04
PRESSURE
- Ⓑ .375" OD NYLON TUBING
RETURN
- Ⓒ HOSE ASSY 03
ROD END - ALWAYS PRESSURIZED
HOSES MUST BE HIGH PRESSURE
AND OF EQUAL LENGTH AND DIAMETER
- Ⓓ HOSE ASSY 04
CAP END - HOSES MUST MAINTAIN
EQUAL LENGTH AND DIAMETER
- Ⓛ HOSE ASSY 04
CAP END (LIFT) WAS AP4060
- Ⓜ HOSE ASSY 04
CAP END (ROOM)
- Ⓝ HOSE ASSY 03
CAP END (ROOM)
- Ⓚ HOSE ASSY 03
CAP END (ROOM)
- Ⓛ HOSE ASSY 03
ROD END (LIFT) ALWAYS PRESSURIZED
- Ⓜ HOSE ASSY 04
CAP END (LIFT)
- Ⓝ HOSE ASSY 03
ROD END (LIFT) ALWAYS PRESSURIZED
- Ⓓ HOSE ASSY 04
ROD END (LIFT) ALWAYS PRESSURIZED
- Ⓚ HOSE ASSY 04
CAP END (LIFT)
- Ⓚ HOSE ASSY 03
ROD END (LIFT) ALWAYS PRESSURIZED
- Ⓒ HOSE ASSY 04
CAP END (LIFT)

NOTES:

FOR CONNECTION CLARITY ONLY THE CYLINDERS ARE SHOWN.

HOSE Ⓓ IS INCLUDED WITH THE SYNC. CYLINDER.



- Ⓒ HOSE ASSY 03
ROD END (LIFT) ALWAYS PRESSURIZED
- Ⓓ HOSE ASSY 04
CAP END (LIFT)
- Ⓚ HOSE ASSY 03
ROD END (LIFT) ALWAYS PRESSURIZED
- Ⓒ HOSE ASSY 04
CAP END (LIFT)

NOTE: INSTALLATION MUST CONFORM TO GOOD SHOP PRACTICES, SAE STANDARDS, RVIA STANDARDS, AND OTHER APPLICABLE STANDARDS.

NO.	DATE	REVISION

THE INFORMATION DISCLOSED ON THIS DRAWING IS CONFIDENTIAL AND MUST NOT BE DISCLOSED OR USED IN ANY MANNER WHICH WILL BE DETRIMENTAL TO THE HWH CORPORATION	NEWMAR	DRAWING NUMBER MP71054
--	--------	---------------------------

SCALE 1:6	DATE 27 JAN 17	DRAWN BY .
HWH 1-80 EXIT 267 SOUTH RT 1 MOSCOW, IOWA 52760		
HYD CONN DIAGRAM		