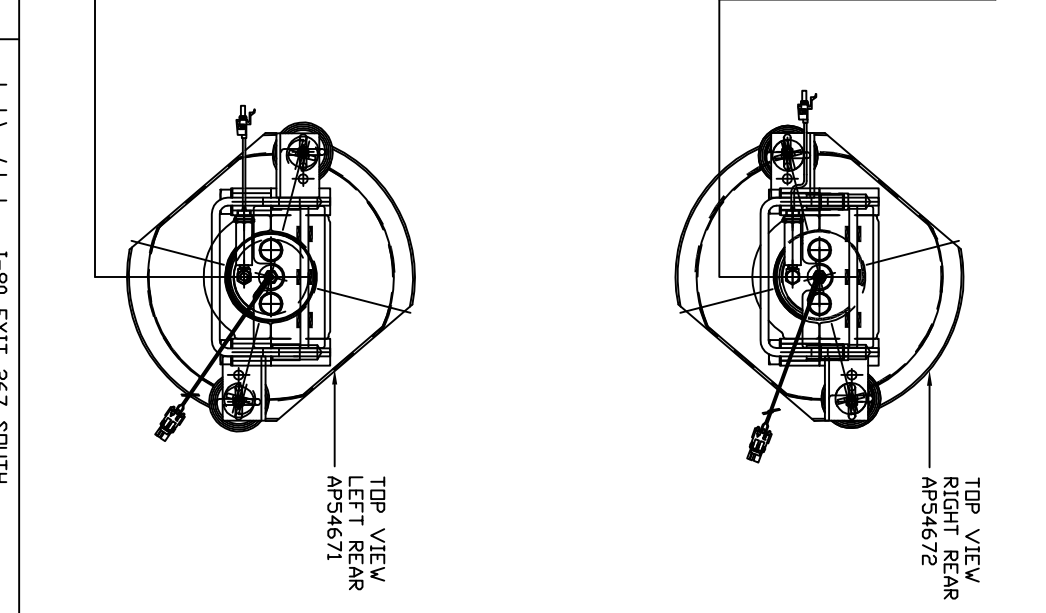
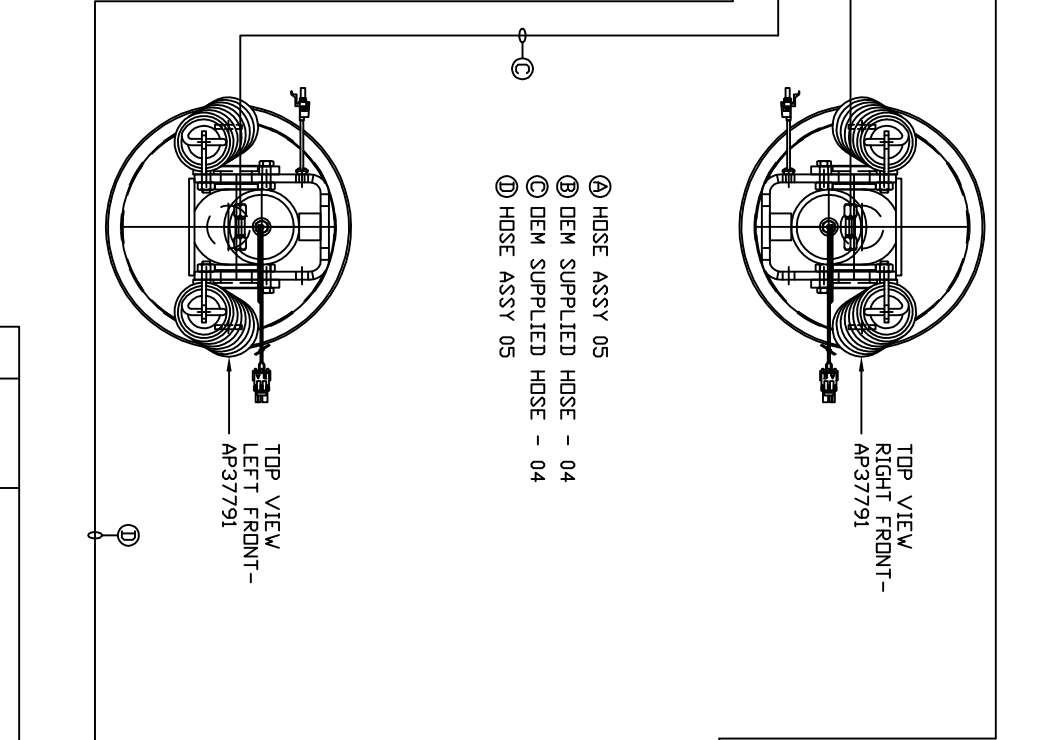
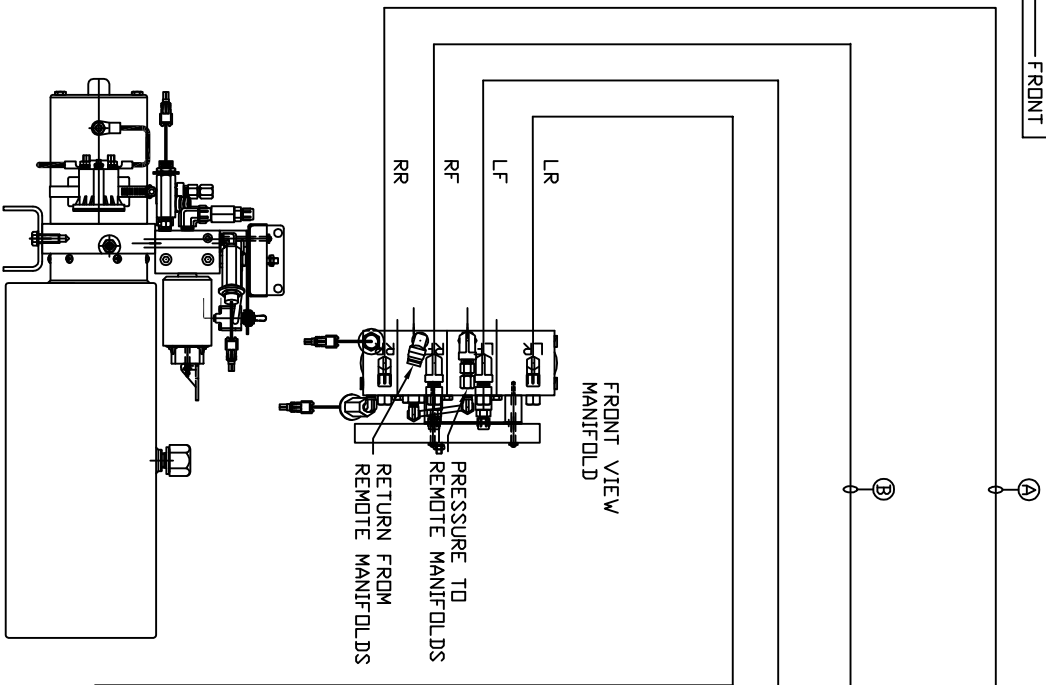


ORIENTATION
FRONT



- ① HOSE ASSY 05
- ② DEM SUPPLIED HOSE - 04
- ③ DEM SUPPLIED HOSE - 04
- ④ HOSE ASSY 05

SIDE VIEW PUMP/MANIFOLD-AP53420

LOCATION AND ORIENTATION OF
PUMP/MANIFOLD ASSEMBLY WILL
DIFFER DEPENDING UPON O.E.M.

NOTE: INSTALLATION MUST CONFORM TO GOOD SHOP PRACTICES, SAE STANDARDS, RVIA STANDARDS, AND OTHER APPLICABLE STANDARDS.

LEVELING SYSTEM: AP54891

NO.	DATE	REVISION

THE INFORMATION DISCLOSED ON THIS DRAWING IS CONFIDENTIAL AND MUST NOT BE DISCLOSED OR USED IN ANY MANNER WHICH WILL BE DETRIMENTAL TO THE HWH CORPORATION

HWH 1-80 EXIT 267 SOUTH
RT 1 MOSCOW, IOWA 52760

SCALE 1:6 DATE 02FEB17 DRAWN BY .

HYD CONN DIAGRAM

NEWMAR DRAWING NUMBER MP71059