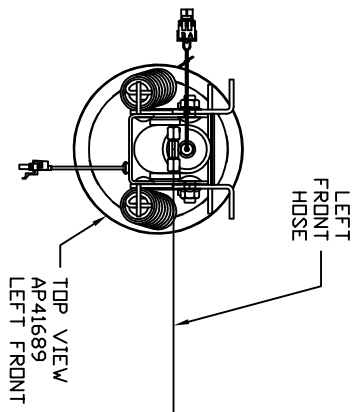
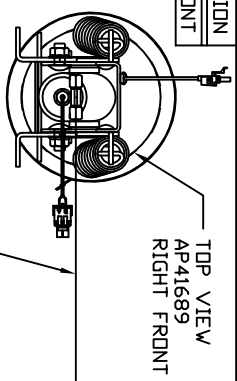
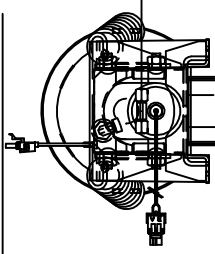
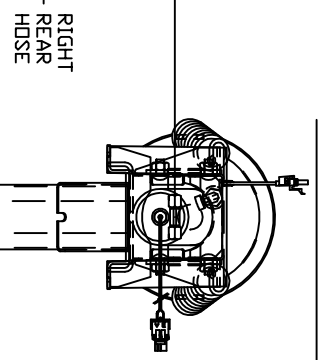
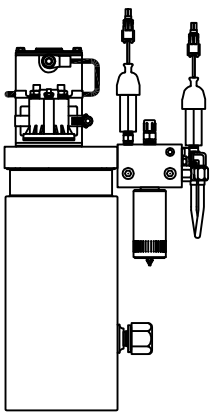
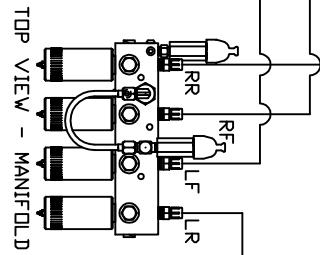


ORIENTATION
FRONT



NOTE: CROSS TIE REQUIRED FOR FRONT JACKS



MODEL	HOSE KIT	LF HOSE	RF HOSE	RR HOSE	LR HOSE
J38S	AP32130	AP4159	AP4062	AP2464	AP4064

NOTE: INSTALLATION MUST CONFORM TO GOOD SHOP PRACTICES, SAE STANDARDS, RVIA STANDARDS, AND OTHER APPLICABLE STANDARDS.

LEVELING SYSTEM: AP41803

NO.	DATE	REVISION

THE INFORMATION DISCLOSED ON THIS DRAWING IS CONFIDENTIAL AND MUST NOT BE DISCLOSED OR USED IN ANY MANNER WHICH WILL BE DETRIMENTAL TO THE HWH CORPORATION

HWH 1-80 EXIT 267 SOUTH
RT 1 MOSCOW, IOWA 52760

SCALE 1:6 DATE 14FEB17 DRAWN BY .

HYD CONN DIAGRAM

WINNEBAGO DRAWING NUMBER MP71074