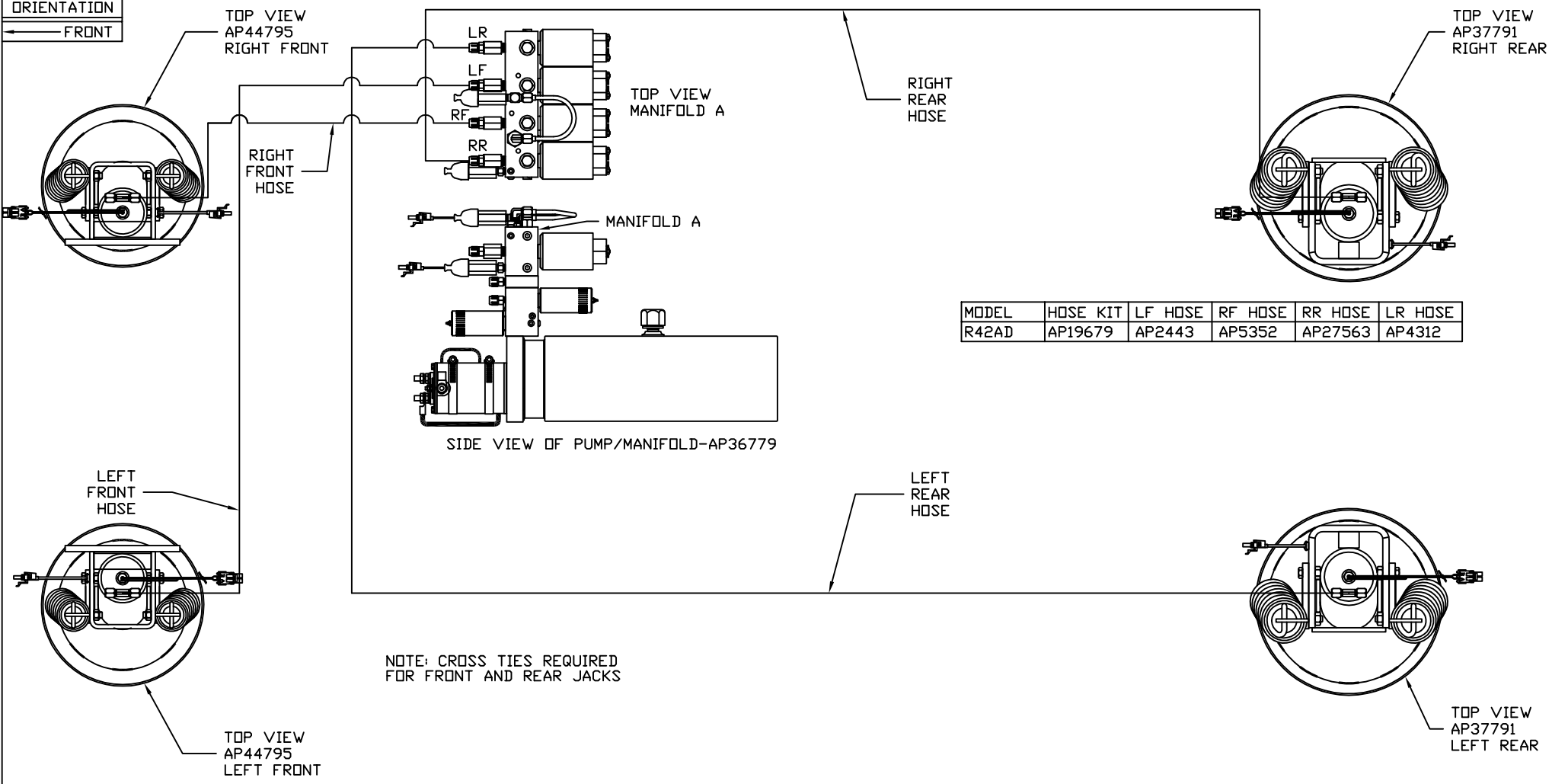


ORIENTATION
← FRONT



MODEL	HOSE KIT	LF HOSE	RF HOSE	RR HOSE	LR HOSE
R42AD	AP19679	AP2443	AP5352	AP27563	AP4312

NOTE: CROSS TIES REQUIRED FOR FRONT AND REAR JACKS

NOTE: INSTALLATION MUST CONFORM TO GOOD SHOP PRACTICES, SAE STANDARDS, RVIA STANDARDS, AND OTHER APPLICABLE STANDARDS.

LEVELING SYSTEM: AP42847

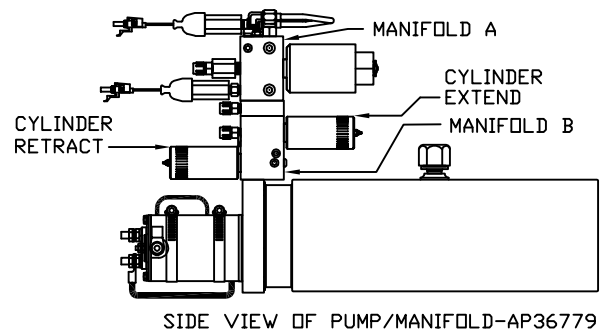
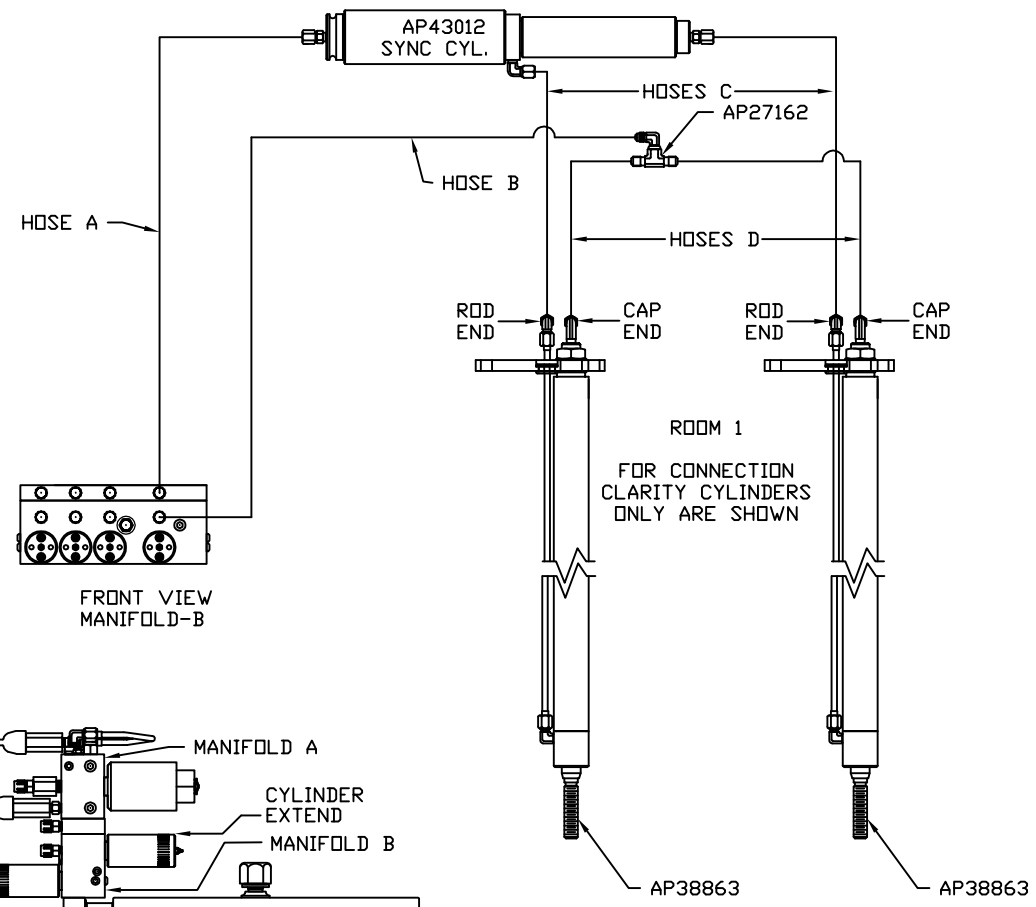
		HWH		I-80 EXIT 267 SOUTH RT 1 MOSCOW, IOWA 52760	
		SCALE 1:6	DATE 14FEB17	DRAWN BY .	
		HYD CONN DIAGRAM			
NO.	DATE	REVISION			
		WINNEBAGO		DRAWING NUMBER MP71082 A/E	
<p>THE INFORMATION DISCLOSED ON THIS DRAWING IS CONFIDENTIAL AND MUST NOT BE DISCLOSED OR USED IN ANY MANNER WHICH WILL BE DETRIMENTAL TO THE HWH CORPORATION</p>					

ORIENTATION
 ← FRONT

MODEL	HOSE A	HOSE B	HOSES C	HOSES D
R42AD				

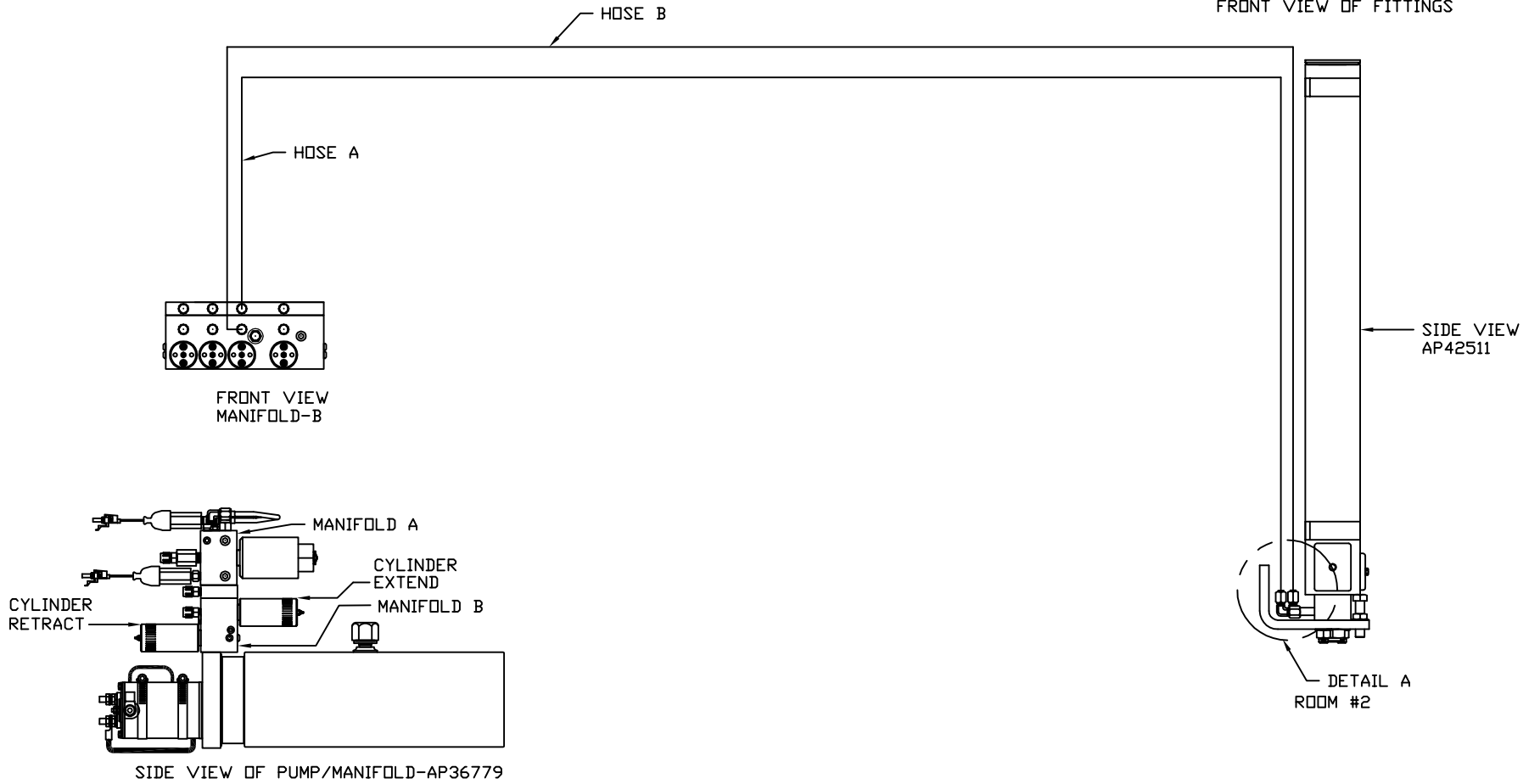
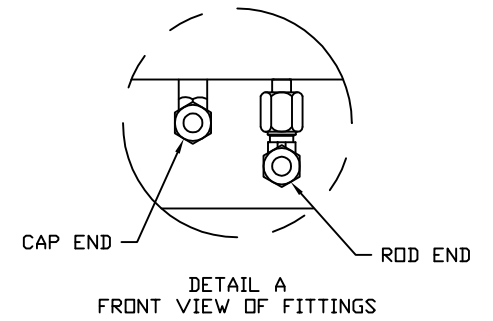
NOTE: HOSES C MUST BE HIGH PRESSURE HOSES OF EQUAL LENGTH AND DIAMETER

NOTE: HOSES D MUST BE EQUAL LENGTH AND DIAMETER

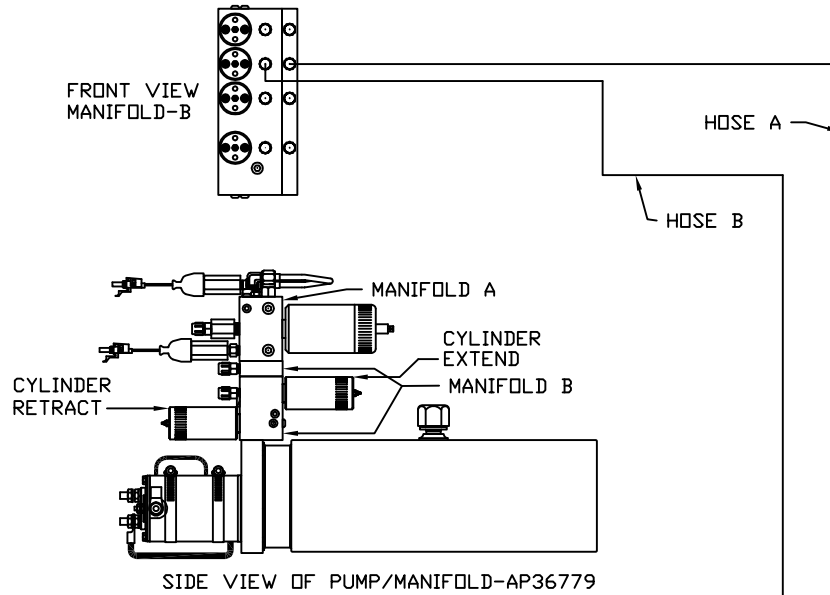


ORIENTATION
 ← FRONT

MODEL	HOSE A	HOSE B
R42AD	AP7386	AP7131



ORIENTATION
 ← FRONT

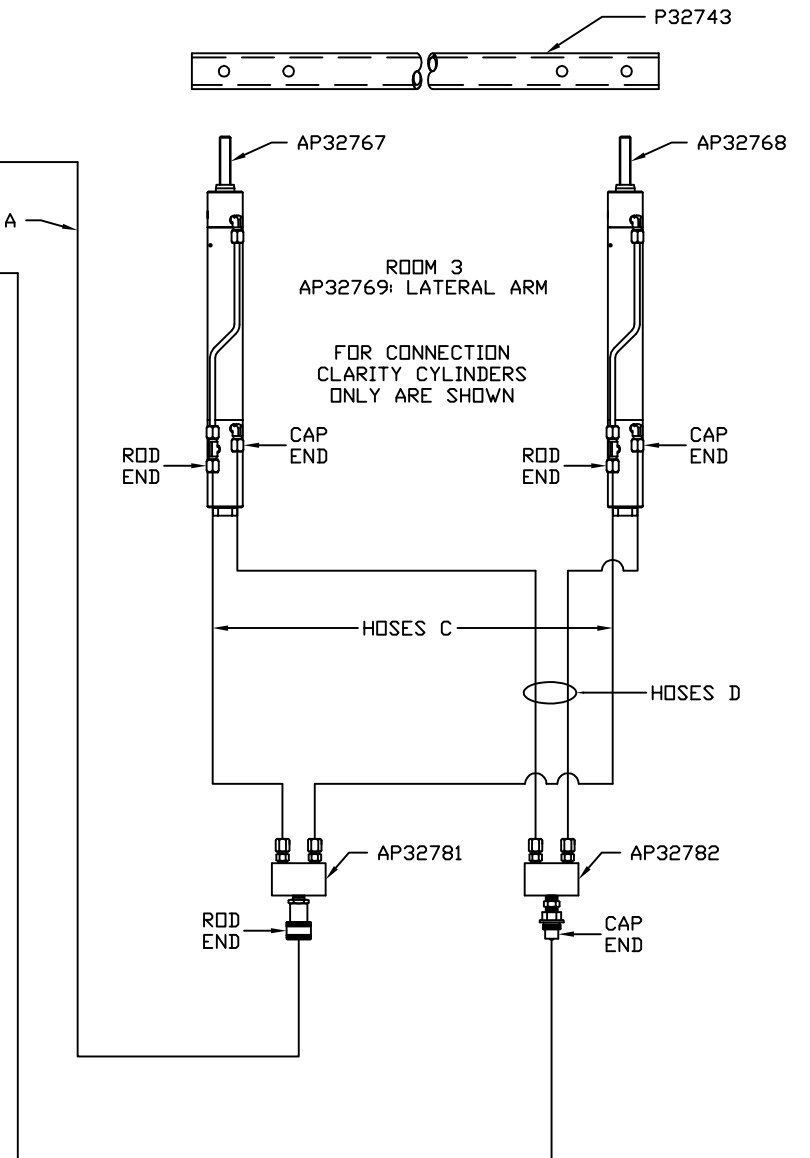


NOTE: HOSES C MUST BE HIGH PRESSURE HOSES OF EQUAL LENGTH AND DIAMETER

NOTE: HOSES D MUST BE EQUAL LENGTH AND DIAMETER

MODEL	HOSE A	HOSE B	HOSES C	HOSES D
R42AD	AP34161	AP32685	AP24635	AP25086

NOTE: AP32781, AP32782, AND HOSES C AND D ARE PART OF THE ROOM EXTENSION MECHANISM. P32743 IS SOLD SEPARATELY



ORIENTATION
← FRONT

MODEL	HOSE A	HOSE B	HOSES C	HOSES D
R42AD				

NOTE: HOSES C MUST BE HIGH PRESSURE HOSES OF EQUAL LENGTH AND DIAMETER

NOTE: HOSES D MUST BE EQUAL LENGTH AND DIAMETER

