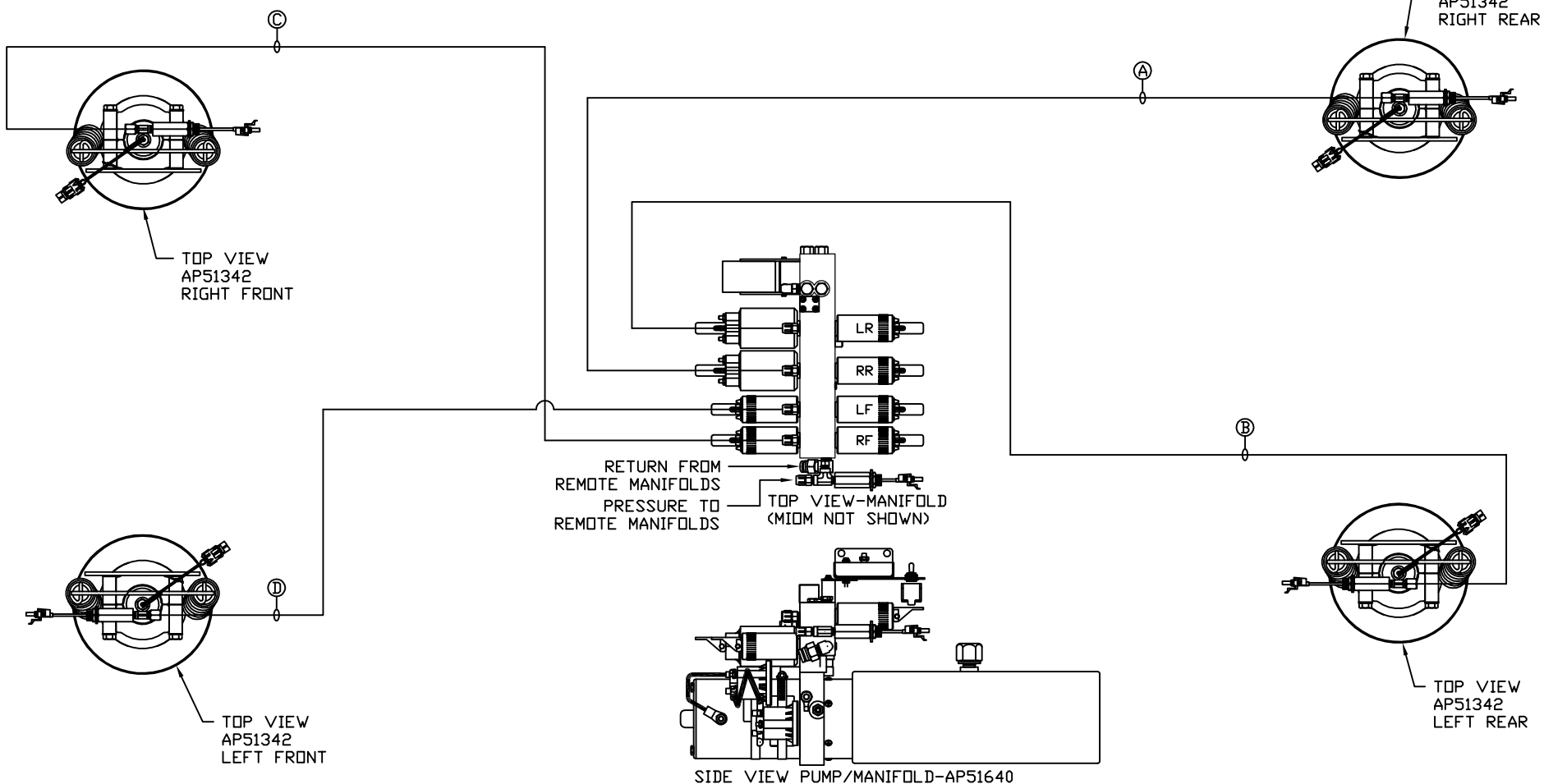


ORIENTATION
← FRONT



RETURN FROM
REMOTE MANIFOLDS
PRESSURE TO
REMOTE MANIFOLDS
TOP VIEW-MANIFOLD
(MIDM NOT SHOWN)

SIDE VIEW PUMP/MANIFOLD-AP51640

- Ⓐ HOSE ASSY 04
- Ⓑ HOSE ASSY 04
- Ⓒ HOSE ASSY 04
- Ⓓ HOSE ASSY 04

NOTE: CROSS TIES REQUIRED
FOR FRONT AND REAR JACKS

NOTE: INSTALLATION MUST CONFORM TO GOOD SHOP PRACTICES, SAE
STANDARDS, RVIA STANDARDS, AND OTHER APPLICABLE STANDARDS.

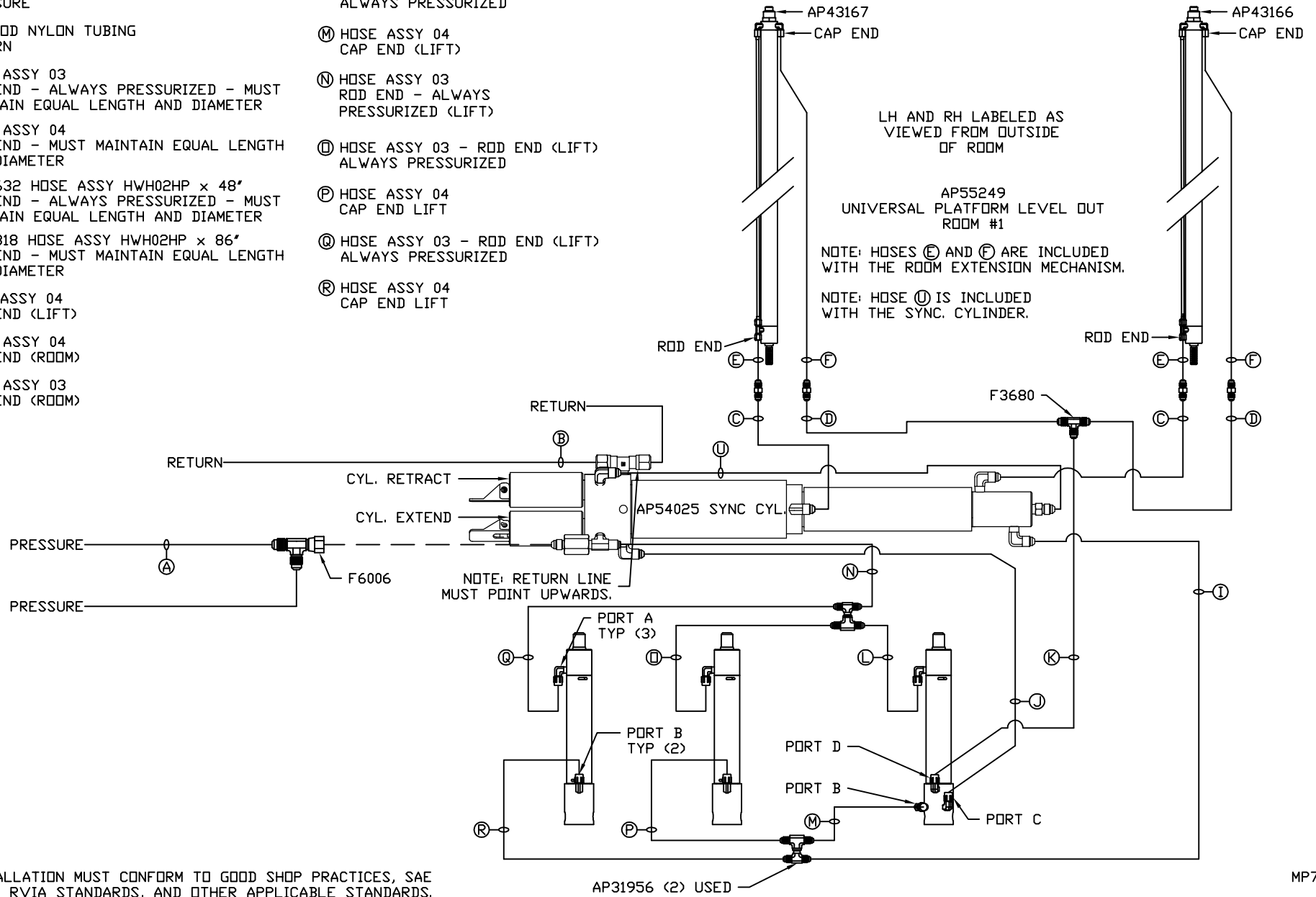
LEVELING SYSTEM: AP57731

		HWH		I-80 EXIT 267 SOUTH RT 1 MOSCOW, IDWA 52760	
		SCALE 1:6	DATE 09JUN17	DRAWN BY .	
		HYD CONN DIAGRAM			
		DRAWING NUMBER		MP71099 A/C	
		TRANSPORT DESIGNS			

NO. DATE REVISION
THE INFORMATION DISCLOSED ON THIS DRAWING IS CONFIDENTIAL AND MUST NOT BE DISCLOSED OR USED IN ANY MANNER WHICH WILL BE DETRIMENTAL TO THE HWH CORPORATION

- Ⓐ HOSE ASSY 04
PRESSURE
- Ⓑ 3/8" OD NYLON TUBING
RETURN
- Ⓒ HOSE ASSY 03
ROD END - ALWAYS PRESSURIZED - MUST
MAINTAIN EQUAL LENGTH AND DIAMETER
- Ⓓ HOSE ASSY 04
CAP END - MUST MAINTAIN EQUAL LENGTH
AND DIAMETER
- Ⓔ AP24632 HOSE ASSY HWH02HP x 48"
ROD END - ALWAYS PRESSURIZED - MUST
MAINTAIN EQUAL LENGTH AND DIAMETER
- Ⓕ AP24818 HOSE ASSY HWH02HP x 86"
CAP END - MUST MAINTAIN EQUAL LENGTH
AND DIAMETER
- Ⓖ HOSE ASSY 04
CAP END (LIFT)
- Ⓙ HOSE ASSY 04
CAP END (ROOM)
- Ⓚ HOSE ASSY 03
CAP END (ROOM)

- Ⓛ HOSE ASSY 03 - ROD END (LIFT)
ALWAYS PRESSURIZED
- Ⓜ HOSE ASSY 04
CAP END (LIFT)
- Ⓝ HOSE ASSY 03
ROD END - ALWAYS
PRESSURIZED (LIFT)
- Ⓟ HOSE ASSY 03 - ROD END (LIFT)
ALWAYS PRESSURIZED
- Ⓠ HOSE ASSY 04
CAP END LIFT
- Ⓡ HOSE ASSY 03 - ROD END (LIFT)
ALWAYS PRESSURIZED
- Ⓢ HOSE ASSY 04
CAP END LIFT

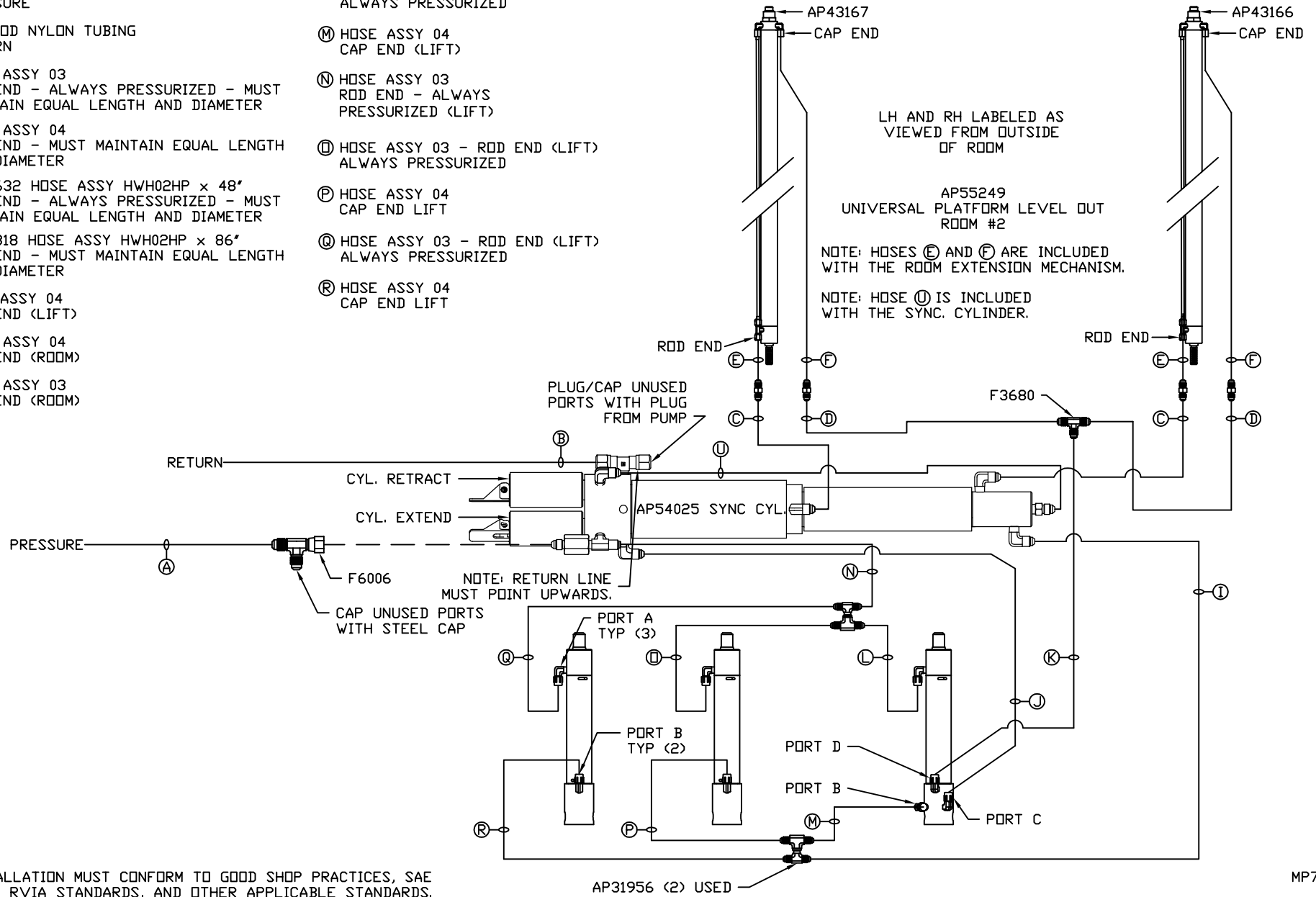


NOTE: INSTALLATION MUST CONFORM TO GOOD SHOP PRACTICES, SAE STANDARDS, RVIA STANDARDS, AND OTHER APPLICABLE STANDARDS.

MP71099 B/C
09JUN17

- (A) HOSE ASSY 04
PRESSURE
- (B) 3/8" OD NYLON TUBING
RETURN
- (C) HOSE ASSY 03
ROD END - ALWAYS PRESSURIZED - MUST
MAINTAIN EQUAL LENGTH AND DIAMETER
- (D) HOSE ASSY 04
CAP END - MUST MAINTAIN EQUAL LENGTH
AND DIAMETER
- (E) AP24632 HOSE ASSY HWH02HP x 48"
ROD END - ALWAYS PRESSURIZED - MUST
MAINTAIN EQUAL LENGTH AND DIAMETER
- (F) AP24818 HOSE ASSY HWH02HP x 86"
CAP END - MUST MAINTAIN EQUAL LENGTH
AND DIAMETER
- (I) HOSE ASSY 04
CAP END (LIFT)
- (J) HOSE ASSY 04
CAP END (ROOM)
- (K) HOSE ASSY 03
CAP END (ROOM)

- (L) HOSE ASSY 03 - ROD END (LIFT)
ALWAYS PRESSURIZED
- (M) HOSE ASSY 04
CAP END (LIFT)
- (N) HOSE ASSY 03
ROD END - ALWAYS
PRESSURIZED (LIFT)
- (O) HOSE ASSY 03 - ROD END (LIFT)
ALWAYS PRESSURIZED
- (P) HOSE ASSY 04
CAP END LIFT
- (Q) HOSE ASSY 03 - ROD END (LIFT)
ALWAYS PRESSURIZED
- (R) HOSE ASSY 04
CAP END LIFT



NOTE: INSTALLATION MUST CONFORM TO GOOD SHOP PRACTICES, SAE STANDARDS, RVIA STANDARDS, AND OTHER APPLICABLE STANDARDS.

MP71099 C/C
09JUN17