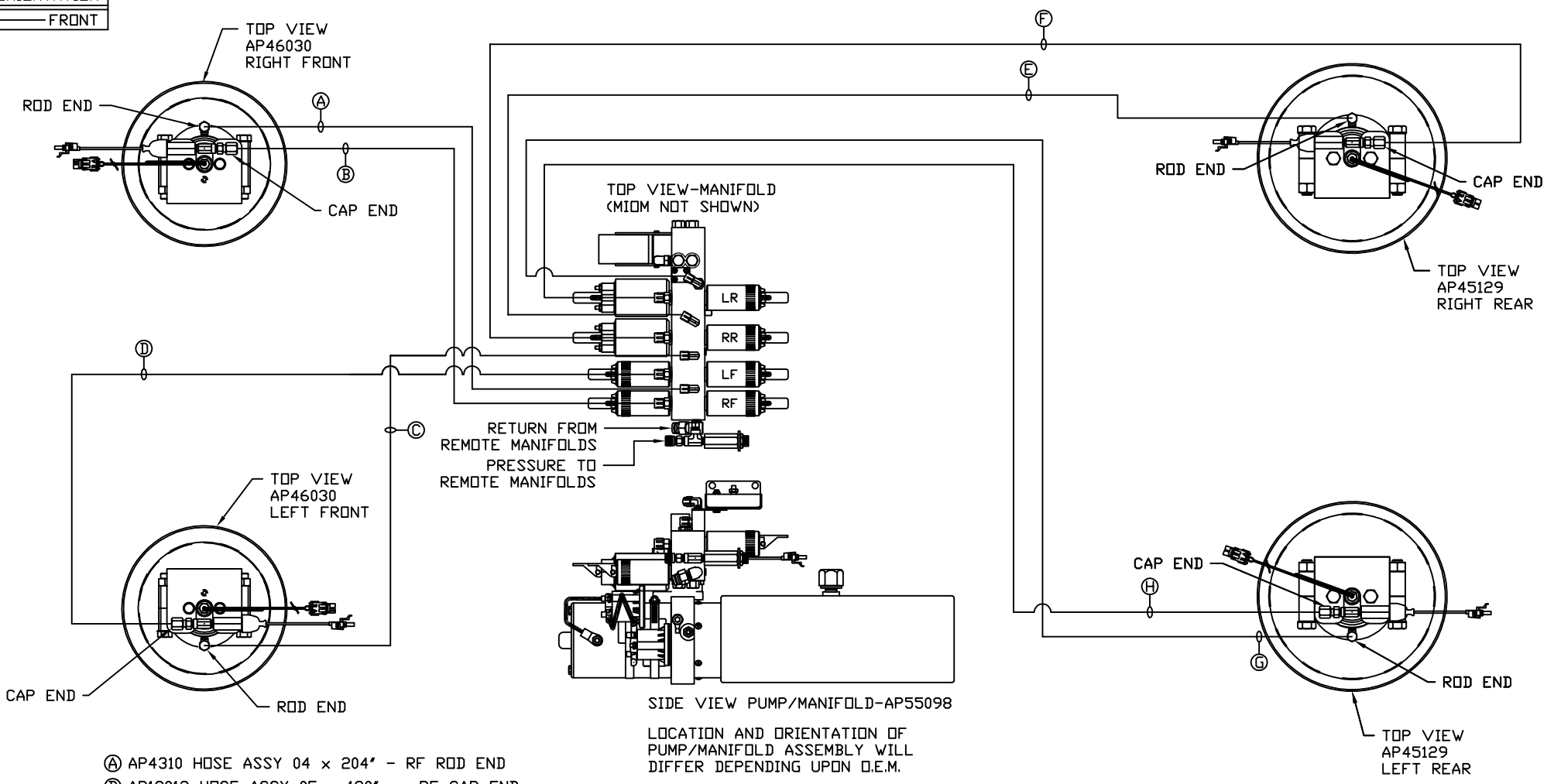


ORIENTATION
← FRONT



- (A) AP4310 HOSE ASSY 04 x 204' - RF ROD END
- (B) AP19013 HOSE ASSY 05 x 180' - RF CAP END
- (C) AP4063 HOSE ASSY 04 x 288' - LF ROD END
- (D) AP54012 HOSE ASSY 05 x 252' - LF CAP END
- (E) AP4061 HOSE ASSY 04 x 216' - RR ROD END
- (F) AP22313 HOSE ASSY 05 x 192' - RR CAP END
- (G) AP4064 HOSE ASSY 04 x 300' - LR ROD END
- (H) AP42093 HOSE ASSY 05 x 276' - LR CAP END

NOTE: INSTALLATION MUST CONFORM TO GOOD SHOP PRACTICES, SAE STANDARDS, RVIA STANDARDS, AND OTHER APPLICABLE STANDARDS.

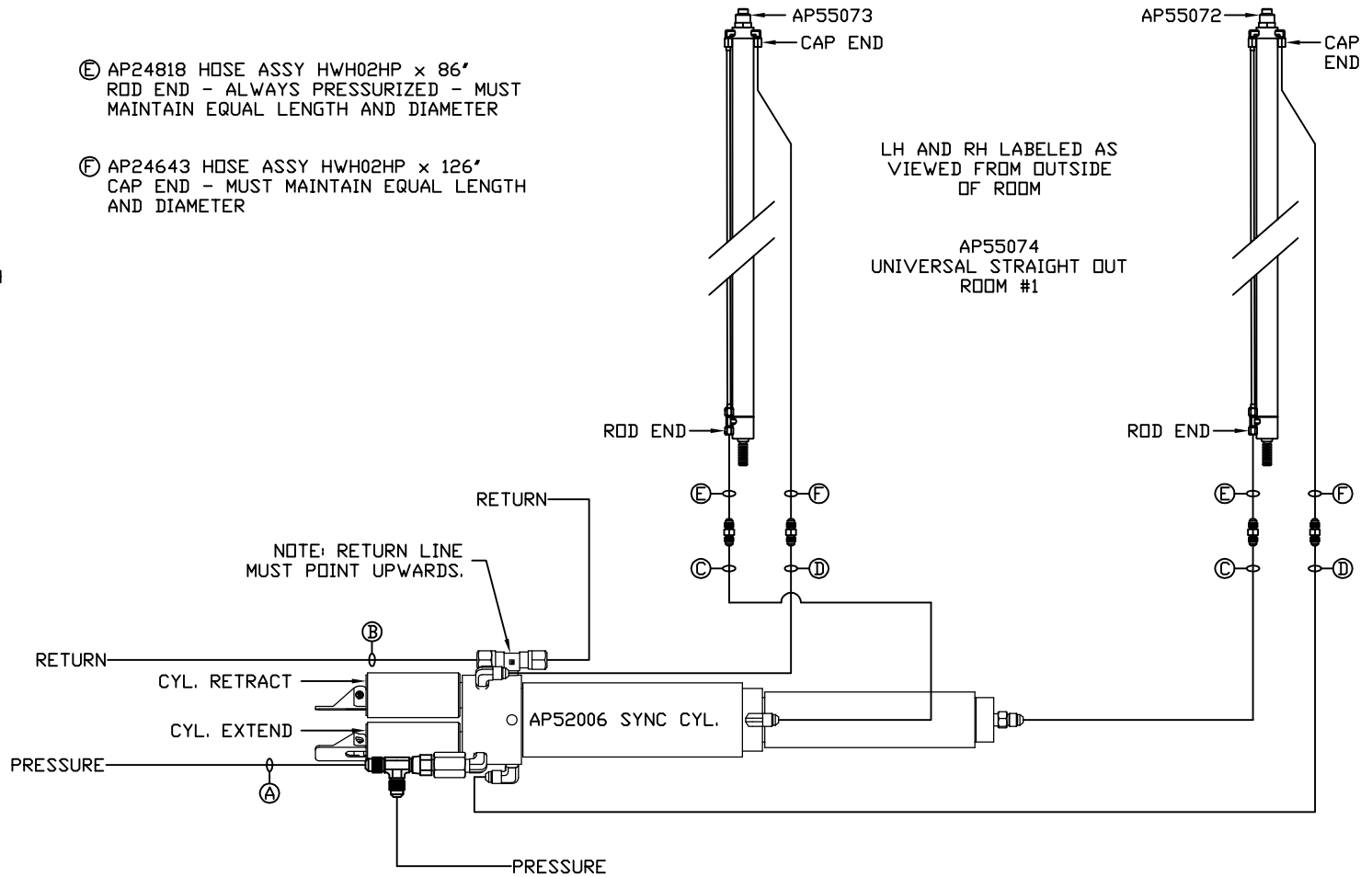
LEVELING SYSTEM: AP57681

		HWH I-80 EXIT 267 SOUTH RT 1 MOSCOW, IOWA 52760	
		SCALE 1:6	DATE 13JUN17
		DRAWN BY .	
HYD CONN DIAGRAM			
NO.	DATE	REVISION	
THE INFORMATION DISCLOSED ON THIS DRAWING IS CONFIDENTIAL AND MUST NOT BE DISCLOSED OR USED IN ANY MANNER WHICH WILL BE DETRIMENTAL TO THE HWH CORPORATION			
FARBER		DRAWING NUMBER MP71106 A/C	

NOTE: HOSES (E) AND (F) ARE INCLUDED WITH THE ROOM EXTENSION MECHANISM

- (A) HOSE ASSY 04
PRESSURE
- (B) .375" TUBING
RETURN
- (C) HOSE ASSY 03
ROD END - ALWAYS PRESSURIZED - MUST MAINTAIN EQUAL LENGTH AND DIAMETER
- (D) HOSE ASSY 04
CAP END - MUST MAINTAIN EQUAL LENGTH AND DIAMETER

- (E) AP24818 HOSE ASSY HWH02HP x 86"
ROD END - ALWAYS PRESSURIZED - MUST MAINTAIN EQUAL LENGTH AND DIAMETER
- (F) AP24643 HOSE ASSY HWH02HP x 126"
CAP END - MUST MAINTAIN EQUAL LENGTH AND DIAMETER



NOTE: INSTALLATION MUST CONFORM TO GOOD SHOP PRACTICES, SAE STANDARDS, RVIA STANDARDS, AND OTHER APPLICABLE STANDARDS.

MP71106 B/C
13JUN17

NOTE: HOSES ⑤ AND ⑥ ARE INCLUDED WITH THE ROOM EXTENSION MECHANISM

① HOSE ASSY 04
PRESSURE

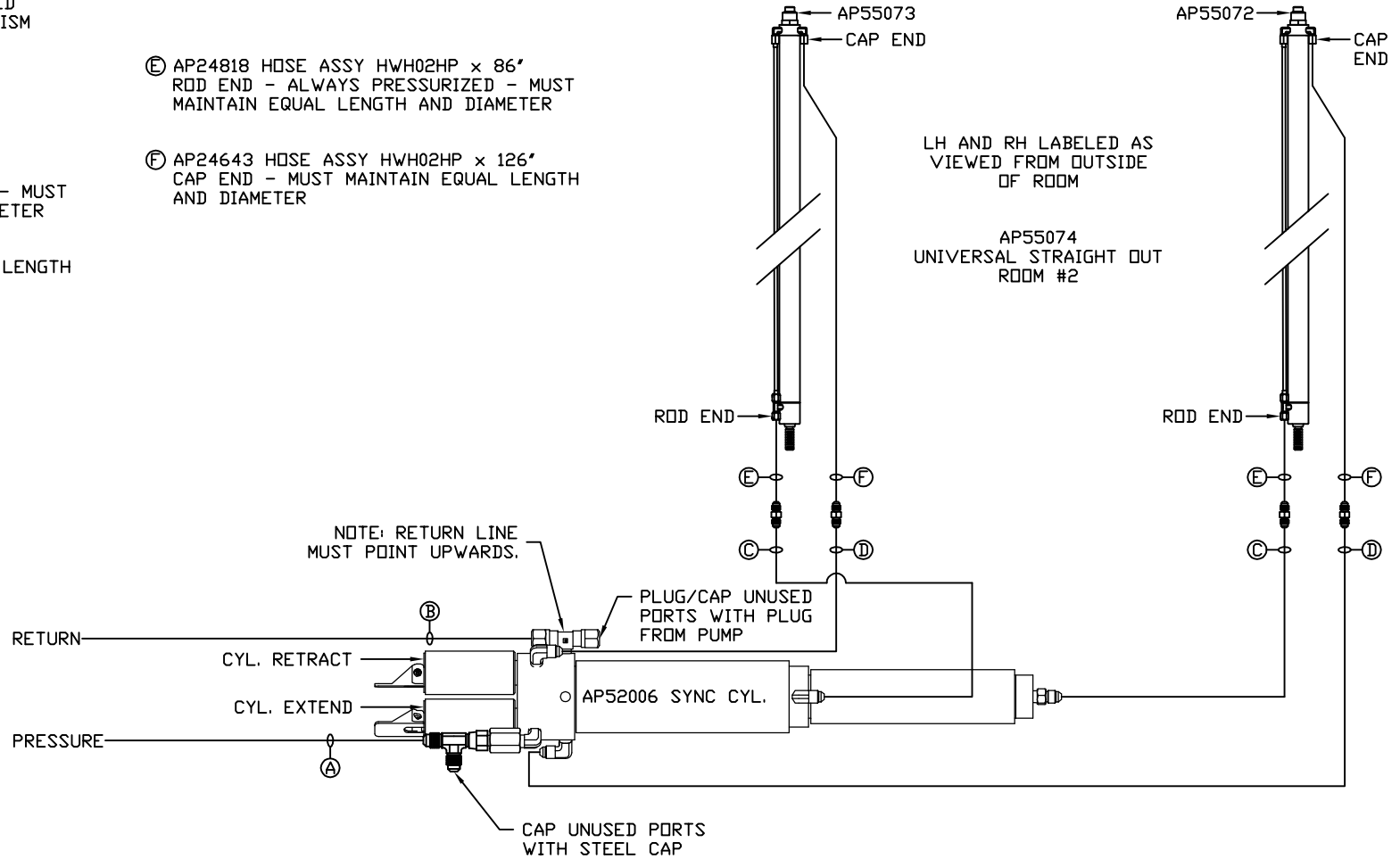
② .375" TUBING
RETURN

③ HOSE ASSY 03
ROD END - ALWAYS PRESSURIZED - MUST MAINTAIN EQUAL LENGTH AND DIAMETER

④ HOSE ASSY 04
CAP END - MUST MAINTAIN EQUAL LENGTH AND DIAMETER

⑤ AP24818 HOSE ASSY HWH02HP x 86"
ROD END - ALWAYS PRESSURIZED - MUST MAINTAIN EQUAL LENGTH AND DIAMETER

⑥ AP24643 HOSE ASSY HWH02HP x 126"
CAP END - MUST MAINTAIN EQUAL LENGTH AND DIAMETER



NOTE: INSTALLATION MUST CONFORM TO GOOD SHOP PRACTICES, SAE STANDARDS, RVIA STANDARDS, AND OTHER APPLICABLE STANDARDS.

MP71106 C/C
13JUN17