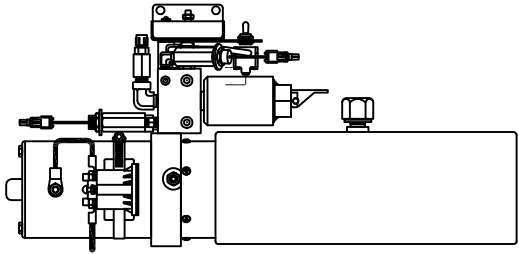
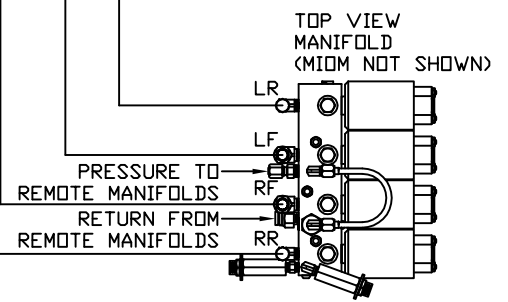
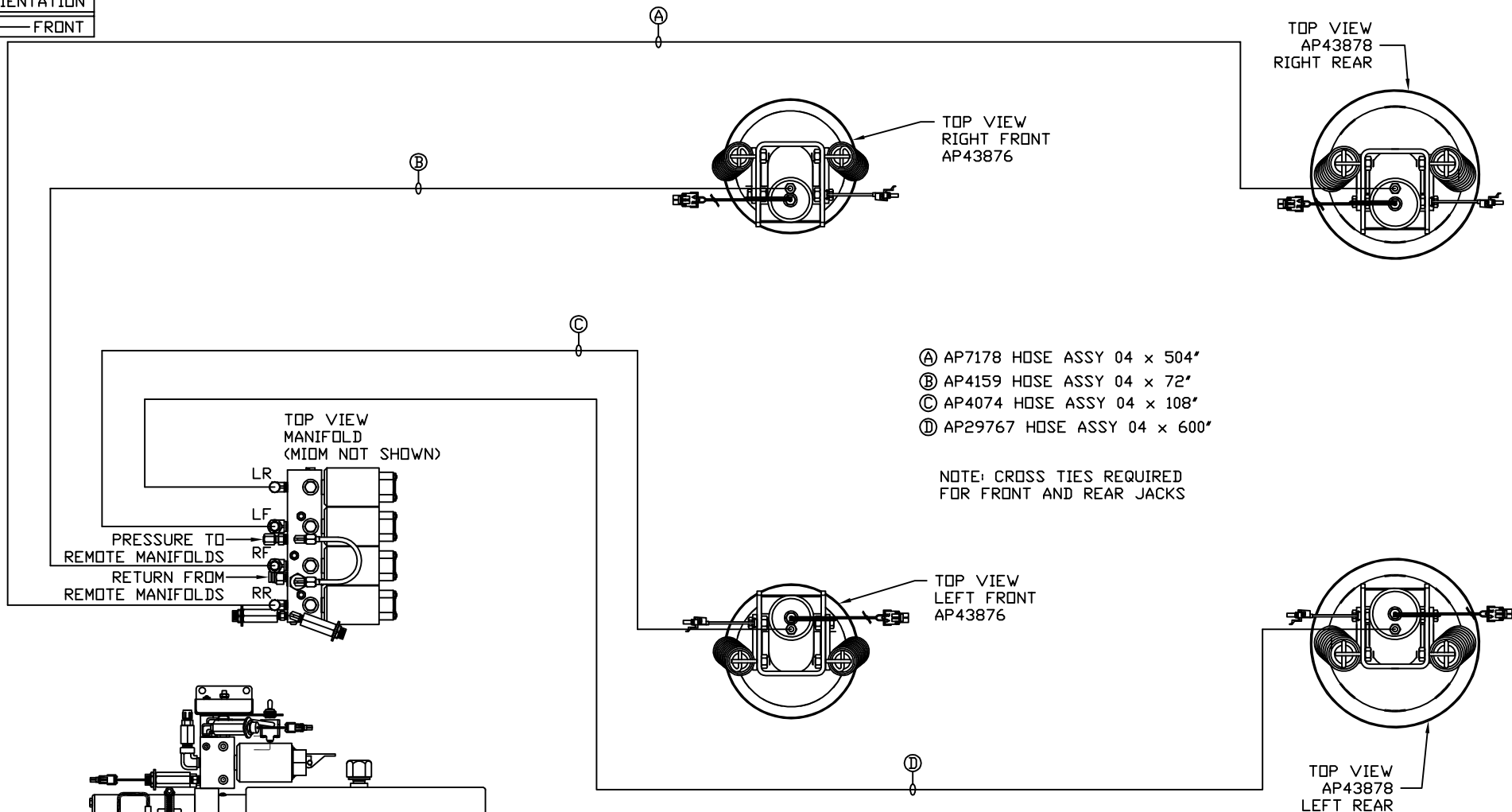


ORIENTATION
← FRONT



SIDE VIEW PUMP/MANIFOLD-AP55132

LOCATION AND ORIENTATION OF PUMP/MANIFOLD ASSEMBLY WILL DIFFER DEPENDING UPON O.E.M.

NOTE: INSTALLATION MUST CONFORM TO GOOD SHOP PRACTICES, SAE STANDARDS, RVIA STANDARDS, AND OTHER APPLICABLE STANDARDS.

LEVELING SYSTEM: AP57957

- Ⓐ AP7178 HOSE ASSY 04 x 504'
- Ⓑ AP4159 HOSE ASSY 04 x 72'
- Ⓒ AP4074 HOSE ASSY 04 x 108'
- Ⓓ AP29767 HOSE ASSY 04 x 600'

NOTE: CROSS TIES REQUIRED FOR FRONT AND REAR JACKS

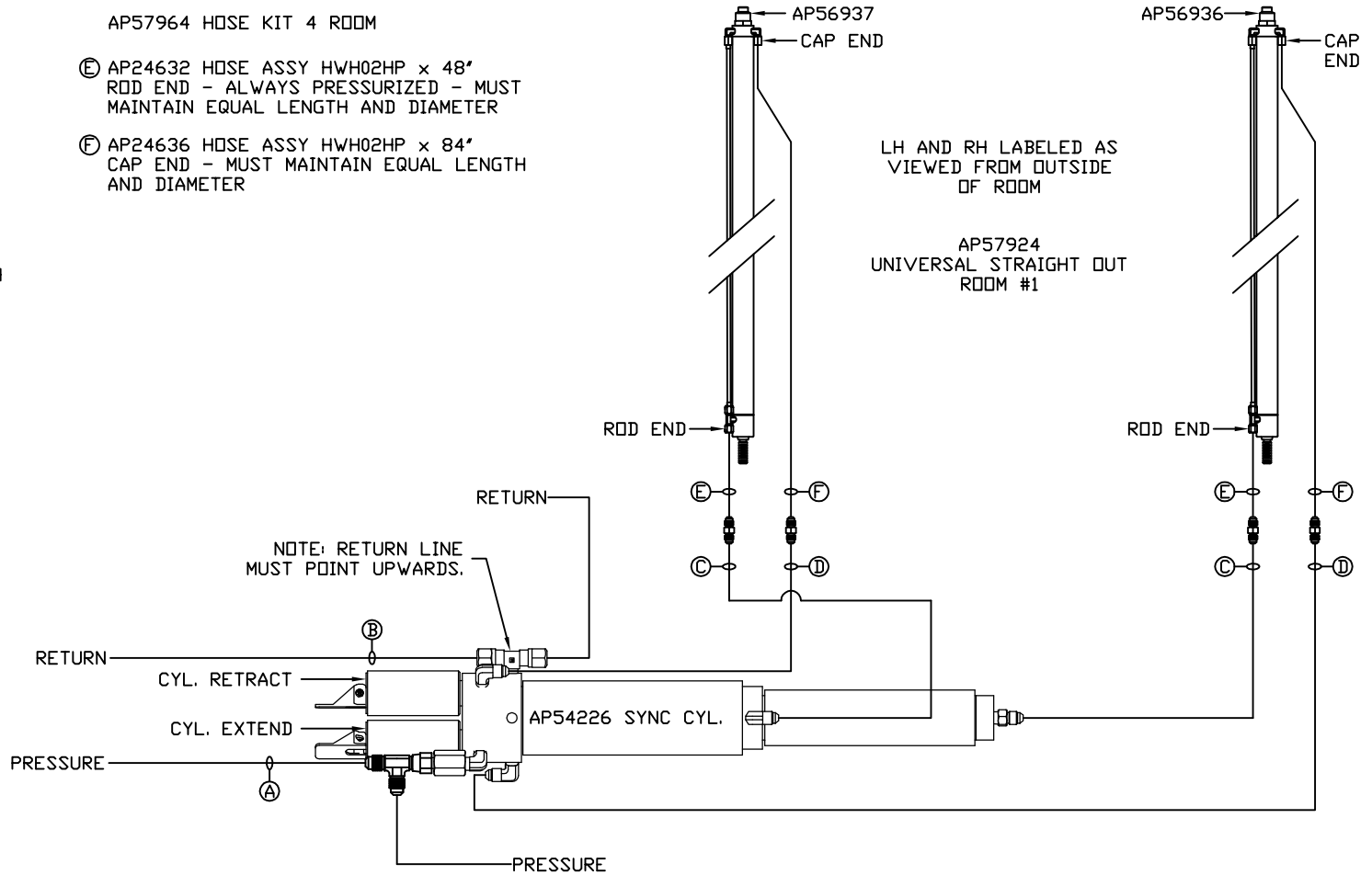
		HWH		I-80 EXIT 267 SOUTH RT 1 MOSCOW, IOWA 52760	
		SCALE 1:6	DATE 15AUG17	DRAWN BY .	
		HYD CONN DIAGRAM			
NO.	DATE	REVISION			
		ALEPH		DRAWING NUMBER MP71109 A/E	
THE INFORMATION DISCLOSED ON THIS DRAWING IS CONFIDENTIAL AND MUST NOT BE DISCLOSED OR USED IN ANY MANNER WHICH WILL BE DETRIMENTAL TO THE HWH CORPORATION					

NOTE: HOSES (E) AND (F) ARE INCLUDED WITH THE ROOM EXTENSION MECHANISM

- (A) AP6218 HOSE ASSY 04 x 480" PRESSURE
- (B) P29287 TUBING NYLON 3/8" x 480" RETURN
- (C) AP49245 HOSE ASSY 03 x 120" ROD END - ALWAYS PRESSURIZED - MUST MAINTAIN EQUAL LENGTH AND DIAMETER
- (D) AP4161 HOSE ASSY 04 x 120" CAP END - MUST MAINTAIN EQUAL LENGTH AND DIAMETER

AP57964 HOSE KIT 4 ROOM

- (E) AP24632 HOSE ASSY HWH02HP x 48" ROD END - ALWAYS PRESSURIZED - MUST MAINTAIN EQUAL LENGTH AND DIAMETER
- (F) AP24636 HOSE ASSY HWH02HP x 84" CAP END - MUST MAINTAIN EQUAL LENGTH AND DIAMETER



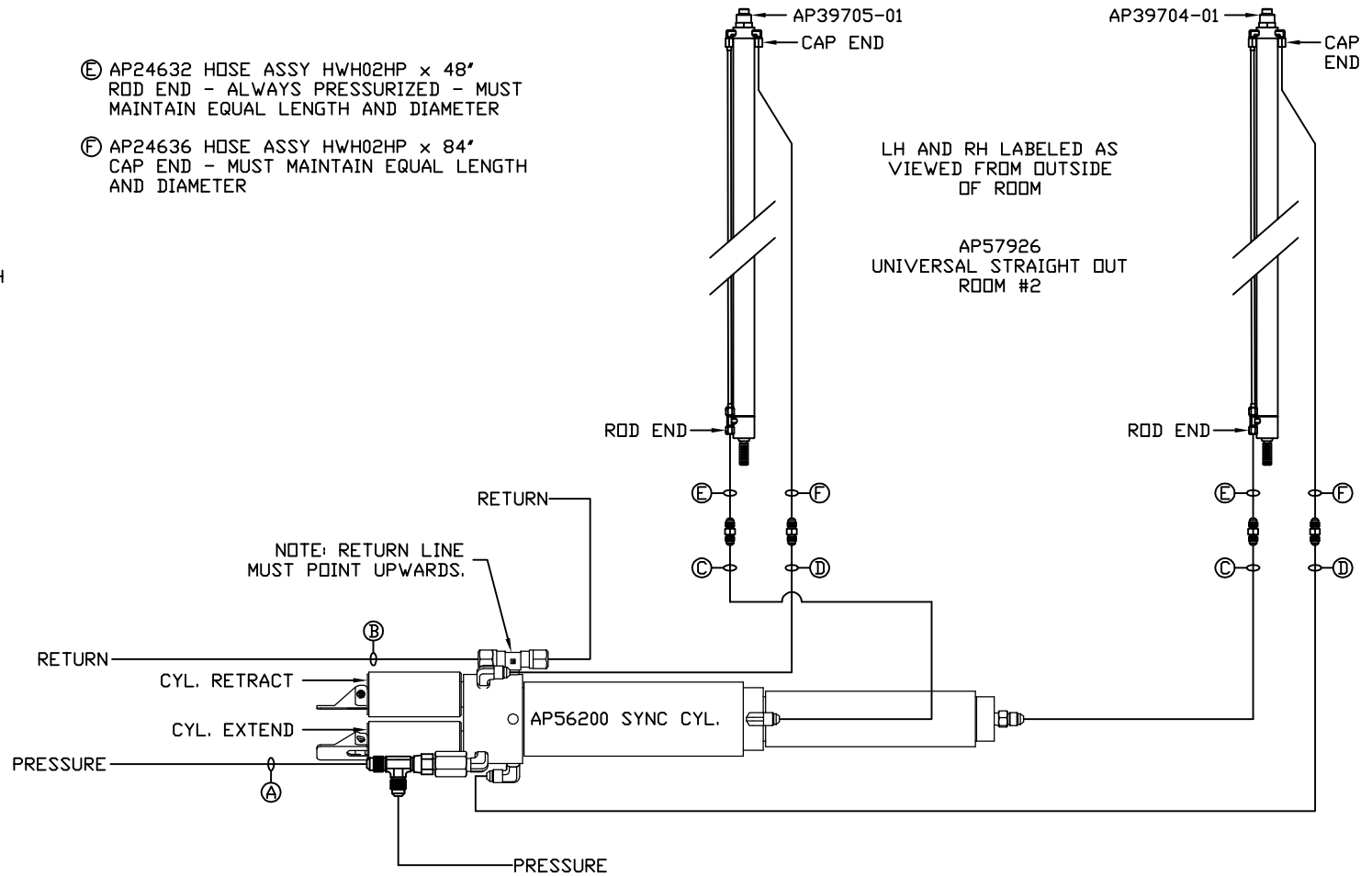
NOTE: INSTALLATION MUST CONFORM TO GOOD SHOP PRACTICES, SAE STANDARDS, RVIA STANDARDS, AND OTHER APPLICABLE STANDARDS.

MP71109 B/E
15AUG17

NOTE: HOSES ⑤ AND ⑥ ARE INCLUDED WITH THE ROOM EXTENSION MECHANISM

- ① AP4161 HOSE ASSY 04 x 120' PRESSURE
- ② P5145 TUBING NYLON 3/8" x 180' RETURN
- ③ AP49245 HOSE ASSY 03 x 120' ROD END - ALWAYS PRESSURIZED - MUST MAINTAIN EQUAL LENGTH AND DIAMETER
- ④ AP4161 HOSE ASSY 04 x 120' CAP END - MUST MAINTAIN EQUAL LENGTH AND DIAMETER

- ⑤ AP24632 HOSE ASSY HWH02HP x 48' ROD END - ALWAYS PRESSURIZED - MUST MAINTAIN EQUAL LENGTH AND DIAMETER
- ⑥ AP24636 HOSE ASSY HWH02HP x 84' CAP END - MUST MAINTAIN EQUAL LENGTH AND DIAMETER



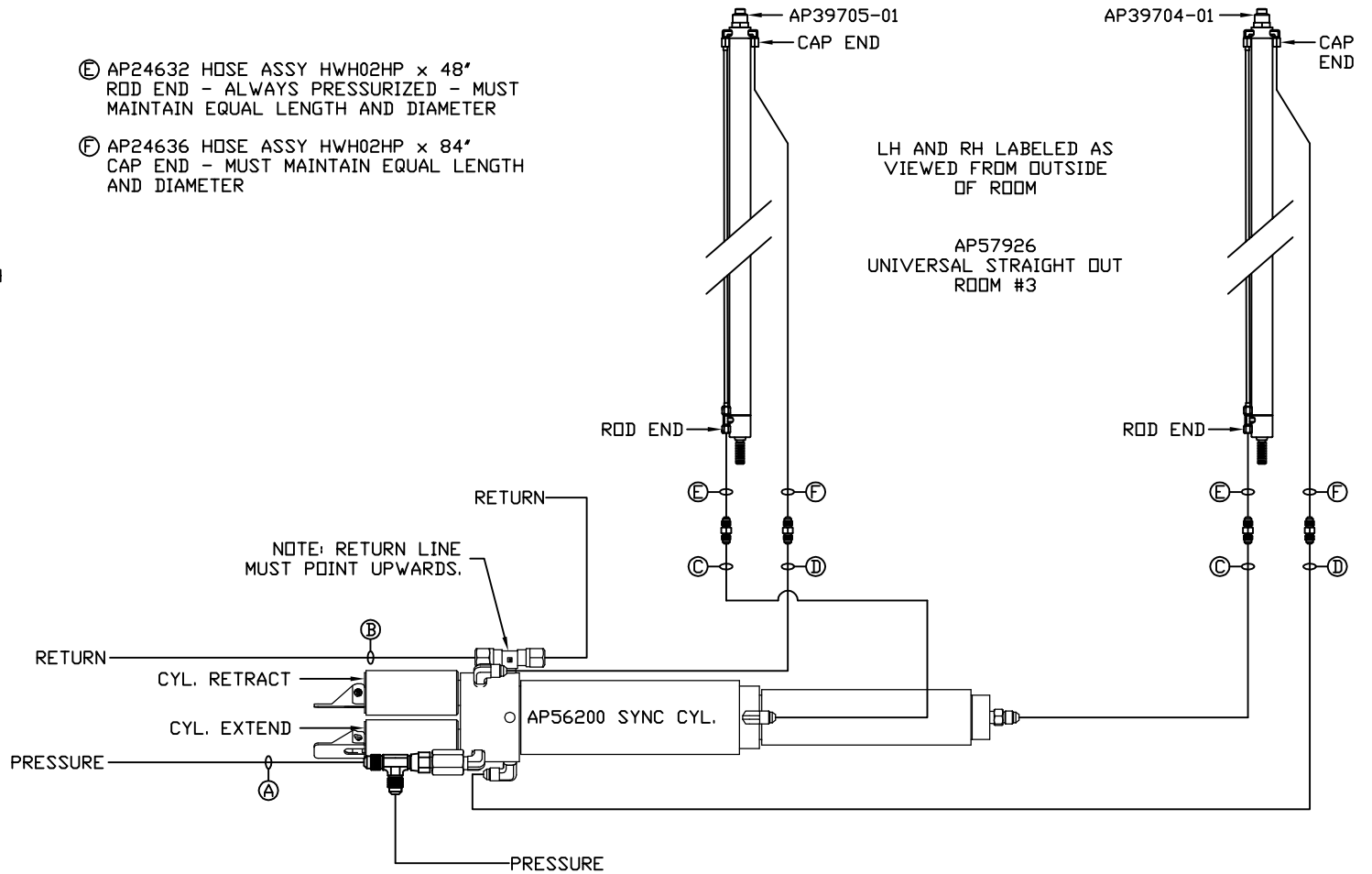
NOTE: INSTALLATION MUST CONFORM TO GOOD SHOP PRACTICES, SAE STANDARDS, RVIA STANDARDS, AND OTHER APPLICABLE STANDARDS.

MP71109 C/E
15AUG17

NOTE: HOSES (E) AND (F) ARE INCLUDED WITH THE ROOM EXTENSION MECHANISM

- (A) AP6218 HOSE ASSY 04 x 480" PRESSURE
- (B) P29287 TUBING NYLON 3/8" x 480" RETURN
- (C) AP49245 HOSE ASSY 03 x 120" ROD END - ALWAYS PRESSURIZED - MUST MAINTAIN EQUAL LENGTH AND DIAMETER
- (D) AP4161 HOSE ASSY 04 x 120" CAP END - MUST MAINTAIN EQUAL LENGTH AND DIAMETER

- (E) AP24632 HOSE ASSY HWH02HP x 48" ROD END - ALWAYS PRESSURIZED - MUST MAINTAIN EQUAL LENGTH AND DIAMETER
- (F) AP24636 HOSE ASSY HWH02HP x 84" CAP END - MUST MAINTAIN EQUAL LENGTH AND DIAMETER



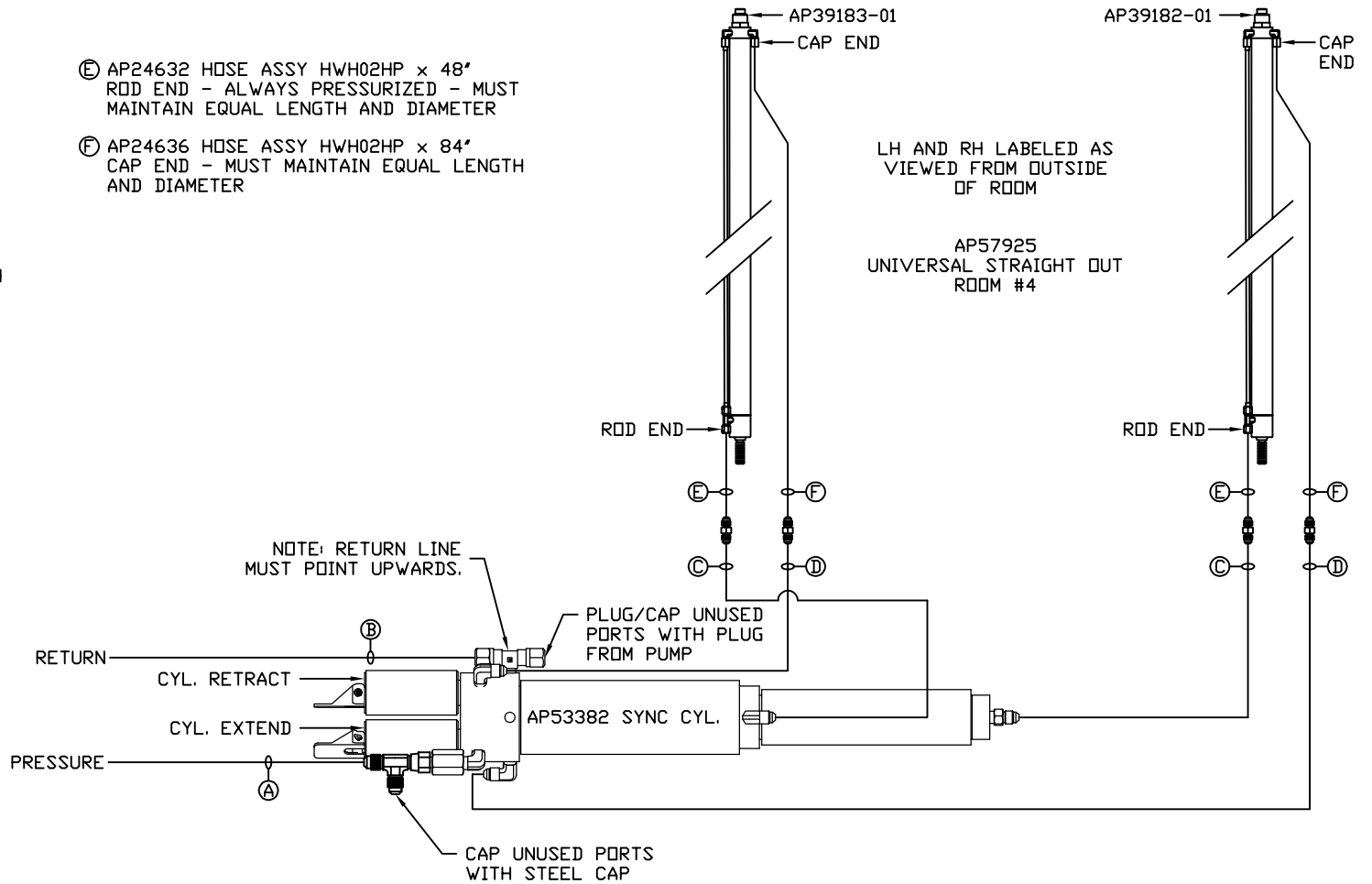
NOTE: INSTALLATION MUST CONFORM TO GOOD SHOP PRACTICES, SAE STANDARDS, RVIA STANDARDS, AND OTHER APPLICABLE STANDARDS.

MP71109 D/E
15AUG17

NOTE: HOSES ⑤ AND ⑥ ARE INCLUDED WITH THE ROOM EXTENSION MECHANISM

- ① AP4059 HOSE ASSY 04 x 36' PRESSURE
- ② P31138 TUBING NYLON 3/8" x 36' RETURN
- ③ AP49245 HOSE ASSY 03 x 120' ROD END - ALWAYS PRESSURIZED - MUST MAINTAIN EQUAL LENGTH AND DIAMETER
- ④ AP4161 HOSE ASSY 04 x 120' CAP END - MUST MAINTAIN EQUAL LENGTH AND DIAMETER

- ⑤ AP24632 HOSE ASSY HWH02HP x 48' ROD END - ALWAYS PRESSURIZED - MUST MAINTAIN EQUAL LENGTH AND DIAMETER
- ⑥ AP24636 HOSE ASSY HWH02HP x 84' CAP END - MUST MAINTAIN EQUAL LENGTH AND DIAMETER



NOTE: INSTALLATION MUST CONFORM TO GOOD SHOP PRACTICES, SAE STANDARDS, RVIA STANDARDS, AND OTHER APPLICABLE STANDARDS.

MP71109 E/E
15AUG17