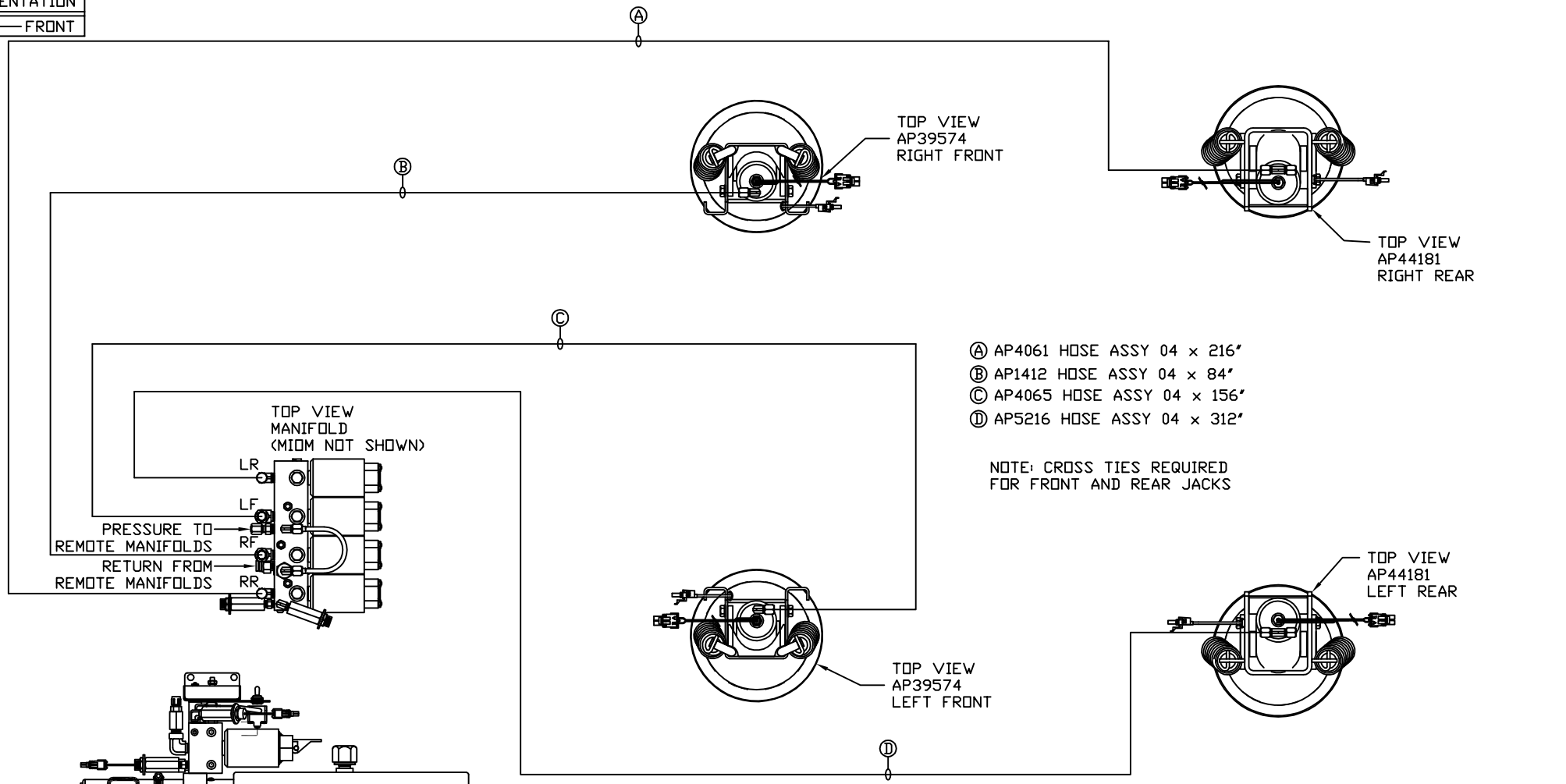
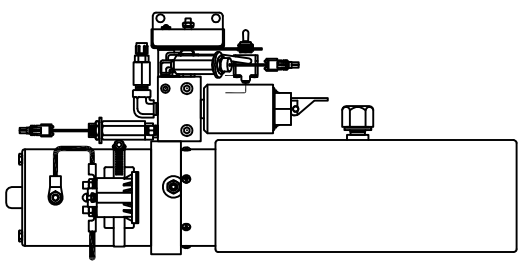
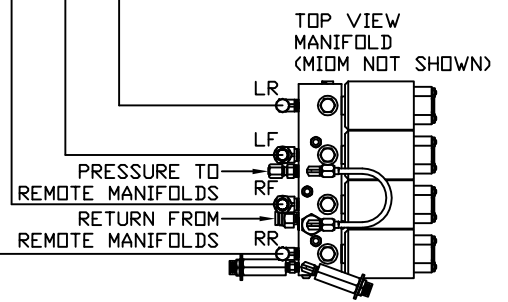


ORIENTATION
← FRONT



- Ⓐ AP4061 HOSE ASSY 04 x 216"
- Ⓑ AP1412 HOSE ASSY 04 x 84"
- Ⓒ AP4065 HOSE ASSY 04 x 156"
- Ⓓ AP5216 HOSE ASSY 04 x 312"

NOTE: CROSS TIES REQUIRED FOR FRONT AND REAR JACKS



SIDE VIEW PUMP/MANIFOLD-AP55132

LOCATION AND ORIENTATION OF PUMP/MANIFOLD ASSEMBLY WILL DIFFER DEPENDING UPON O.E.M.

NOTE: INSTALLATION MUST CONFORM TO GOOD SHOP PRACTICES, SAE STANDARDS, RVIA STANDARDS, AND OTHER APPLICABLE STANDARDS.

LEVELING SYSTEM: AP58269

NO.	DATE	REVISION

HWH I-80 EXIT 267 SOUTH
RT 1 MOSCOW, IOWA 52760

SCALE 1:6 DATE 13NOV17 DRAWN BY .

HYD CONN DIAGRAM

ALEPH GROUP DRAWING NUMBER MP71125 A/C

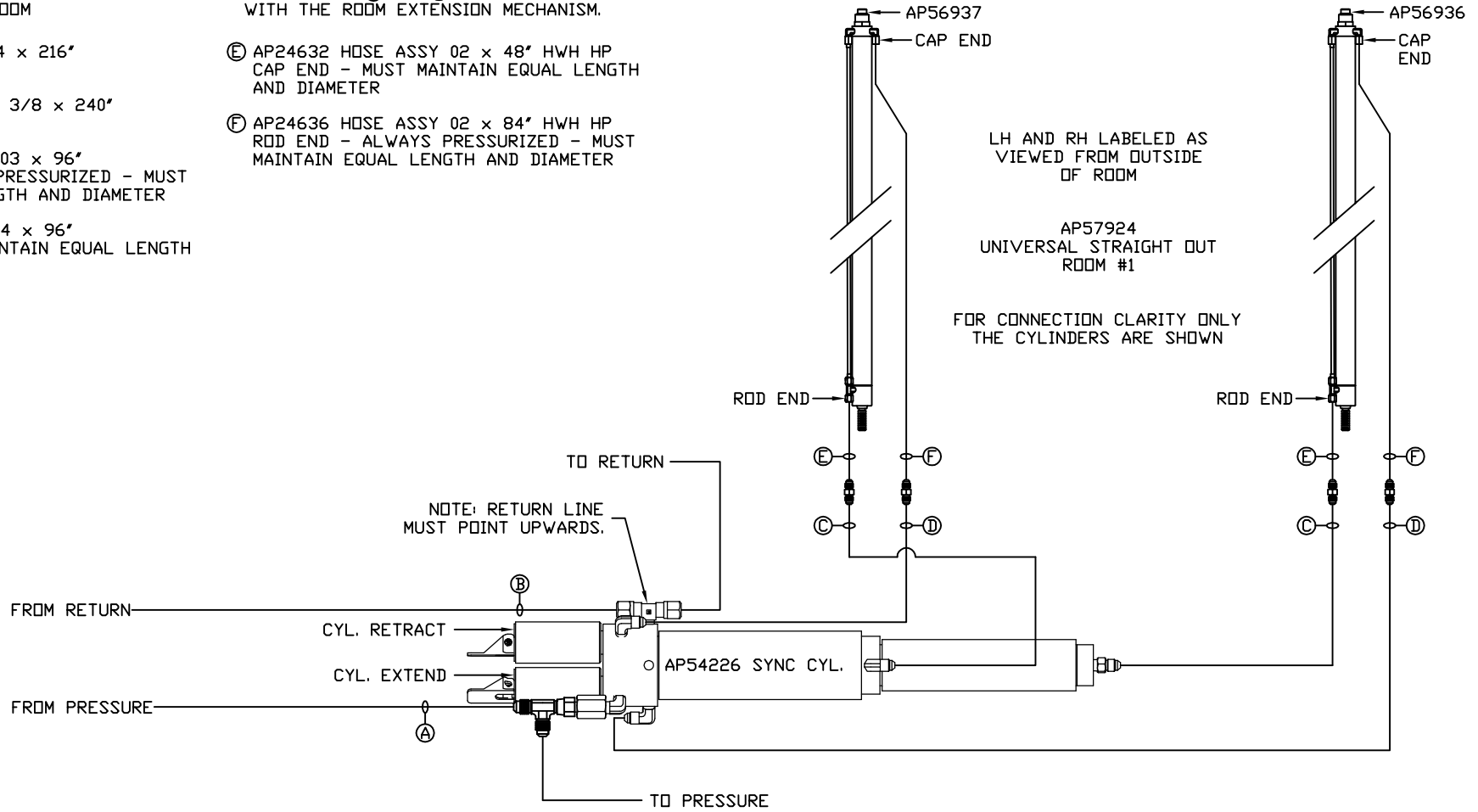
THE INFORMATION DISCLOSED ON THIS DRAWING IS CONFIDENTIAL AND MUST NOT BE DISCLOSED OR USED IN ANY MANNER WHICH WILL BE DETRIMENTAL TO THE HWH CORPORATION

AP58272 HOSE KIT 2 ROOM

- Ⓐ AP4061 HOSE ASSY 04 x 216" PRESSURE
- Ⓑ P53886 RETURN LINE 3/8 x 240" RETURN
- Ⓒ AP50766 HOSE ASSY 03 x 96" ROD END - ALWAYS PRESSURIZED - MUST MAINTAIN EQUAL LENGTH AND DIAMETER
- Ⓓ AP5352 HOSE ASSY 04 x 96" CAP END - MUST MAINTAIN EQUAL LENGTH AND DIAMETER

NOTE: HOSES Ⓔ AND Ⓕ ARE INCLUDED WITH THE ROOM EXTENSION MECHANISM.

- Ⓔ AP24632 HOSE ASSY 02 x 48" HWH HP CAP END - MUST MAINTAIN EQUAL LENGTH AND DIAMETER
- Ⓕ AP24636 HOSE ASSY 02 x 84" HWH HP ROD END - ALWAYS PRESSURIZED - MUST MAINTAIN EQUAL LENGTH AND DIAMETER



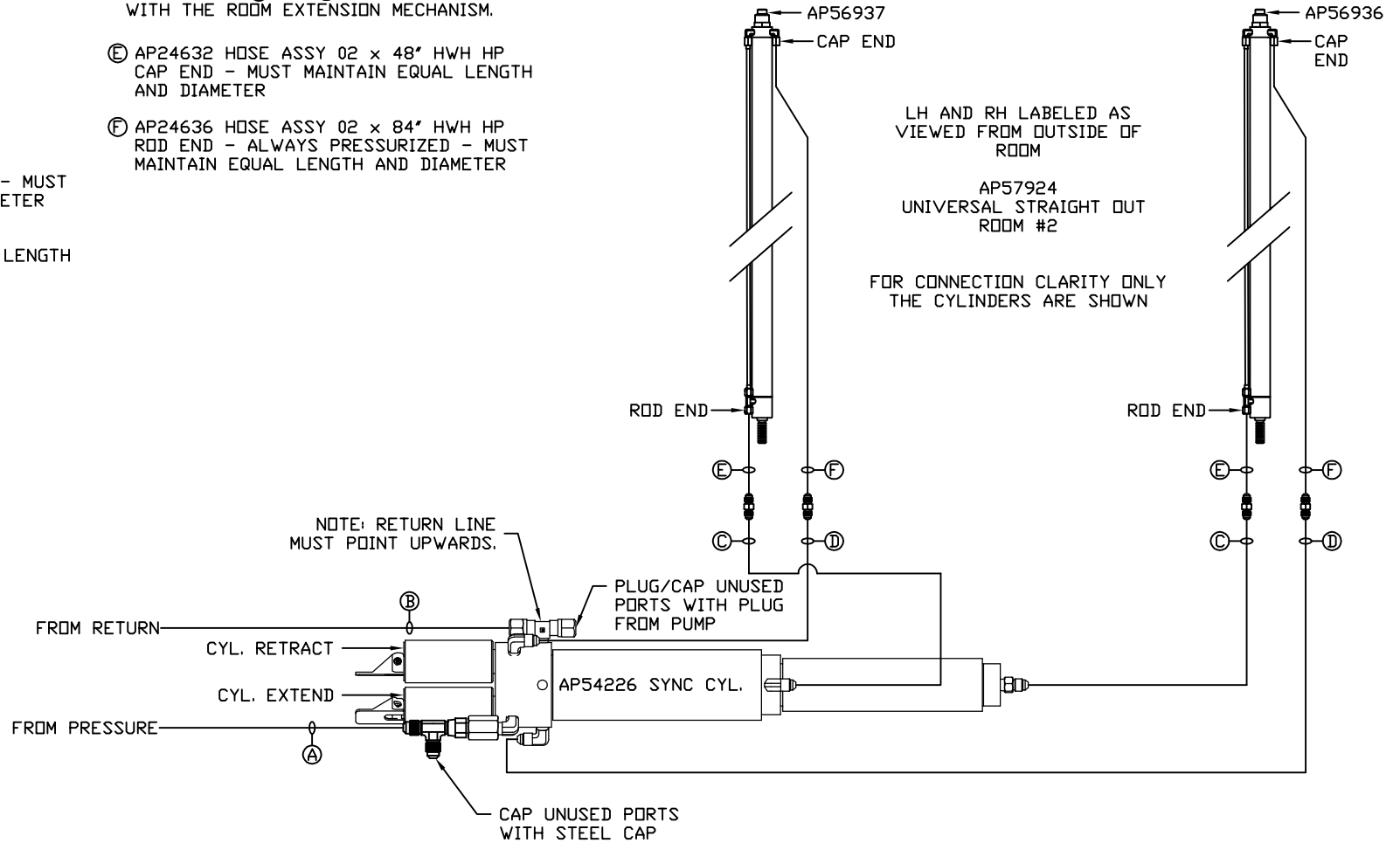
NOTE: INSTALLATION MUST CONFORM TO GOOD SHOP PRACTICES, SAE STANDARDS, RVIA STANDARDS, AND OTHER APPLICABLE STANDARDS.

MP71125 B/C
13NOV17

NOTE: HOSES Ⓒ AND Ⓓ ARE INCLUDED WITH THE ROOM EXTENSION MECHANISM.

- Ⓐ AP4827 HOSE ASSY 04 x 144" PRESSURE
- Ⓑ P5145 RETURN LINE 3/8 x 180" RETURN
- Ⓒ AP50766 HOSE ASSY 03 x 96" ROD END - ALWAYS PRESSURIZED - MUST MAINTAIN EQUAL LENGTH AND DIAMETER
- Ⓓ AP5352 HOSE ASSY 04 x 96" CAP END - MUST MAINTAIN EQUAL LENGTH AND DIAMETER

- Ⓔ AP24632 HOSE ASSY 02 x 48" HWH HP CAP END - MUST MAINTAIN EQUAL LENGTH AND DIAMETER
- Ⓕ AP24636 HOSE ASSY 02 x 84" HWH HP ROD END - ALWAYS PRESSURIZED - MUST MAINTAIN EQUAL LENGTH AND DIAMETER



NOTE: INSTALLATION MUST CONFORM TO GOOD SHOP PRACTICES, SAE STANDARDS, RVIA STANDARDS, AND OTHER APPLICABLE STANDARDS.

MP71125 C/C
13NOV17