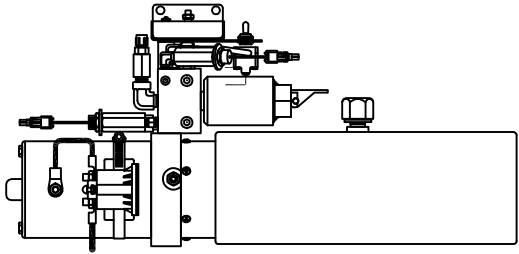
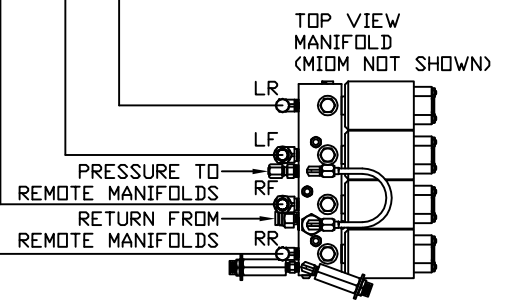
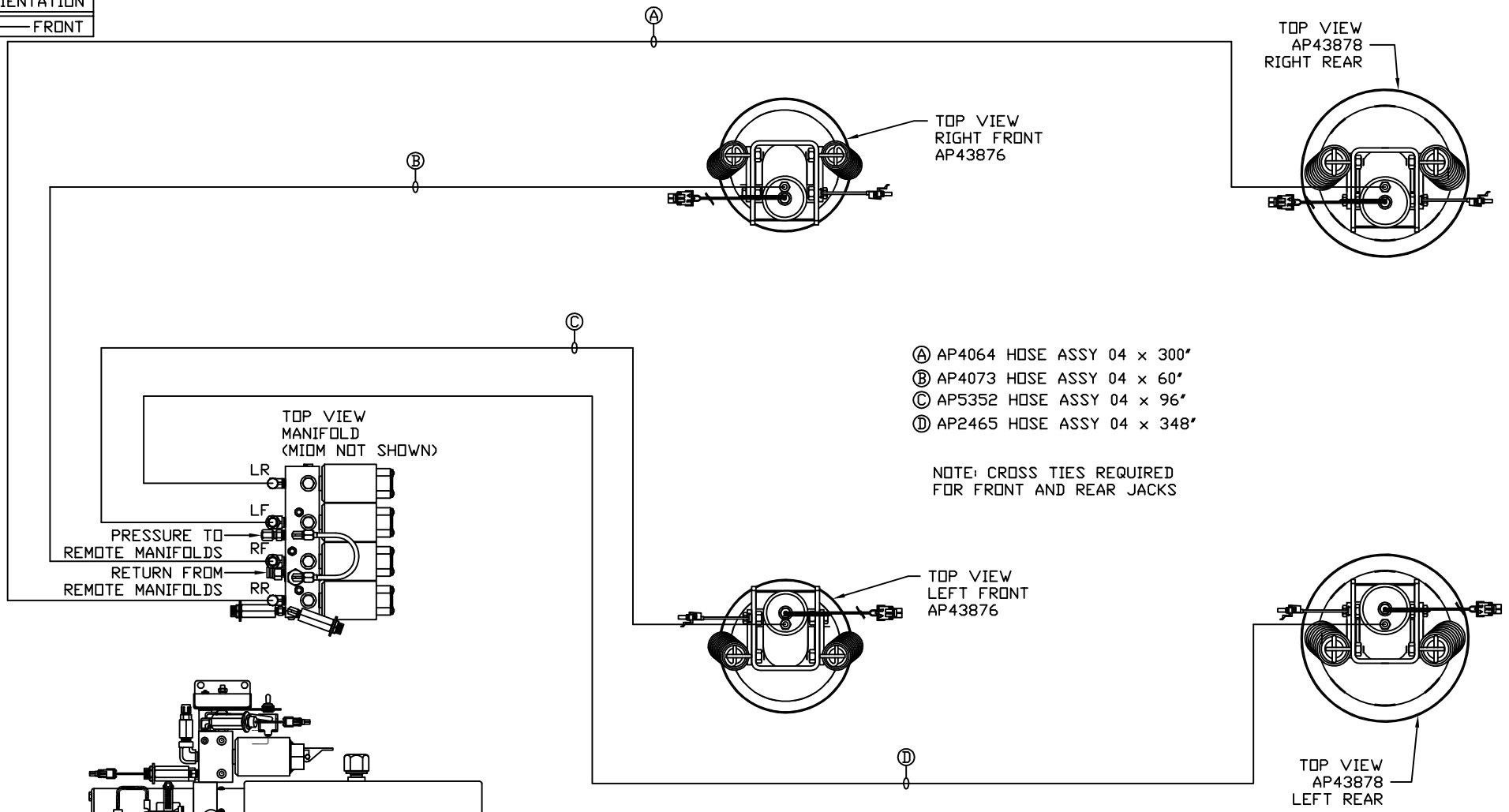


ORIENTATION
← FRONT



SIDE VIEW PUMP/MANIFOLD-AP55132

LOCATION AND ORIENTATION OF
PUMP/MANIFOLD ASSEMBLY WILL
DIFFER DEPENDING UPON O.E.M.

- Ⓐ AP4064 HOSE ASSY 04 x 300"
- Ⓑ AP4073 HOSE ASSY 04 x 60"
- Ⓒ AP5352 HOSE ASSY 04 x 96"
- Ⓓ AP2465 HOSE ASSY 04 x 348"

NOTE: CROSS TIES REQUIRED
FOR FRONT AND REAR JACKS

NOTE: INSTALLATION MUST CONFORM TO GOOD SHOP PRACTICES, SAE
STANDARDS, RVIA STANDARDS, AND OTHER APPLICABLE STANDARDS.

LEVELING SYSTEM: AP58325

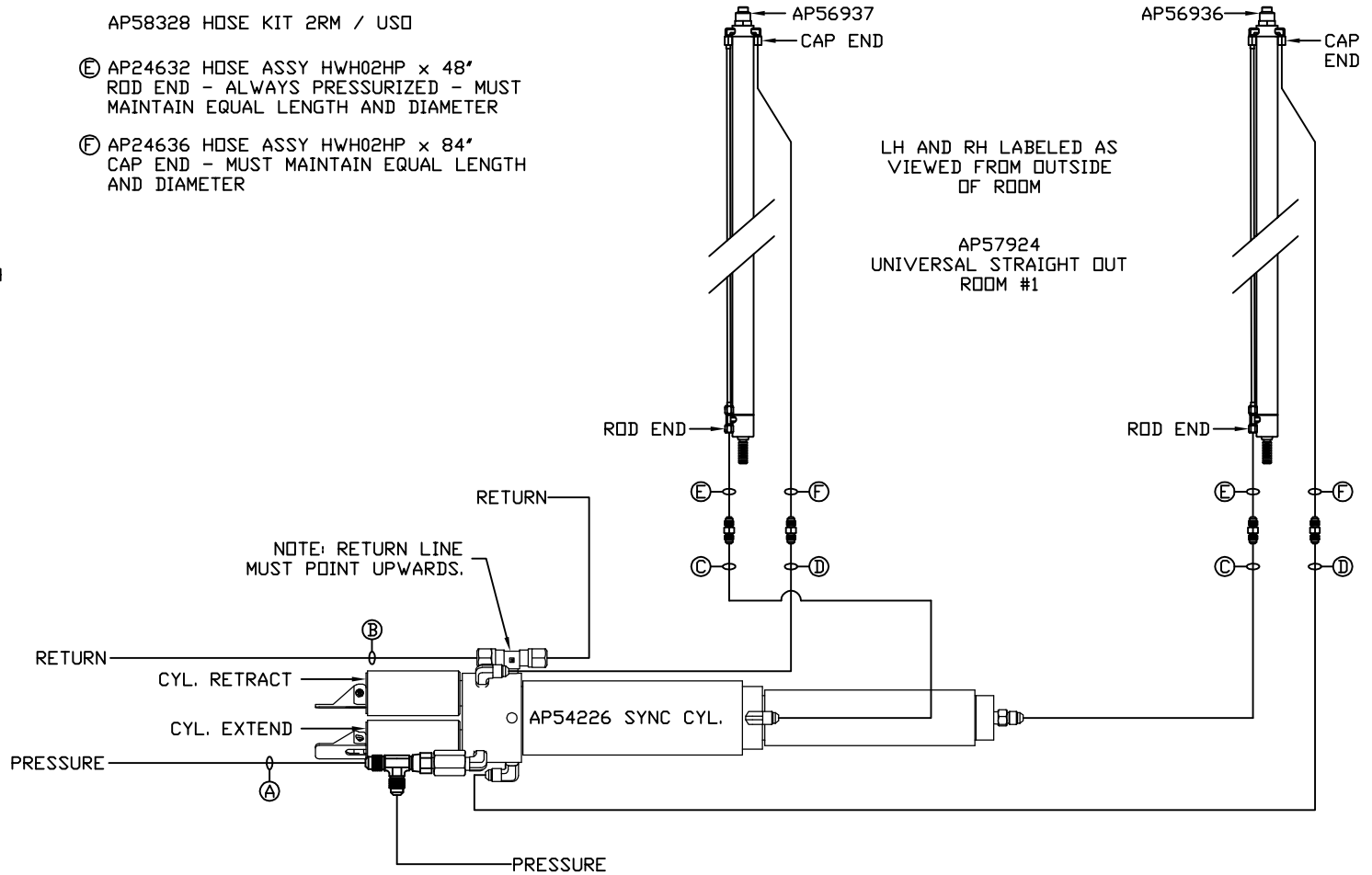
		HWH		I-80 EXIT 267 SOUTH RT 1 MOSCOW, IOWA 52760	
		SCALE 1:6	DATE 29NOV17	DRAWN BY .	
		HYD CONN DIAGRAM			
NO.	DATE	REVISION			
		THE INFORMATION DISCLOSED ON THIS DRAWING IS CONFIDENTIAL AND MUST NOT BE DISCLOSED OR USED IN ANY MANNER WHICH WILL BE DETRIMENTAL TO THE HWH CORPORATION		DRAWING NUMBER	
		ALEPH		MP71126 A/C	

NOTE: HOSES (E) AND (F) ARE INCLUDED WITH THE ROOM EXTENSION MECHANISM

- (A) AP6117 HOSE ASSY 04 x 432" PRESSURE
- (B) P29287 TUBING NYLON 3/8" x 480" RETURN
- (C) AP49245 HOSE ASSY 03 x 120" ROD END - ALWAYS PRESSURIZED - MUST MAINTAIN EQUAL LENGTH AND DIAMETER
- (D) AP4161 HOSE ASSY 04 x 120" CAP END - MUST MAINTAIN EQUAL LENGTH AND DIAMETER

AP58328 HOSE KIT 2RM / USD

- (E) AP24632 HOSE ASSY HWH02HP x 48" ROD END - ALWAYS PRESSURIZED - MUST MAINTAIN EQUAL LENGTH AND DIAMETER
- (F) AP24636 HOSE ASSY HWH02HP x 84" CAP END - MUST MAINTAIN EQUAL LENGTH AND DIAMETER



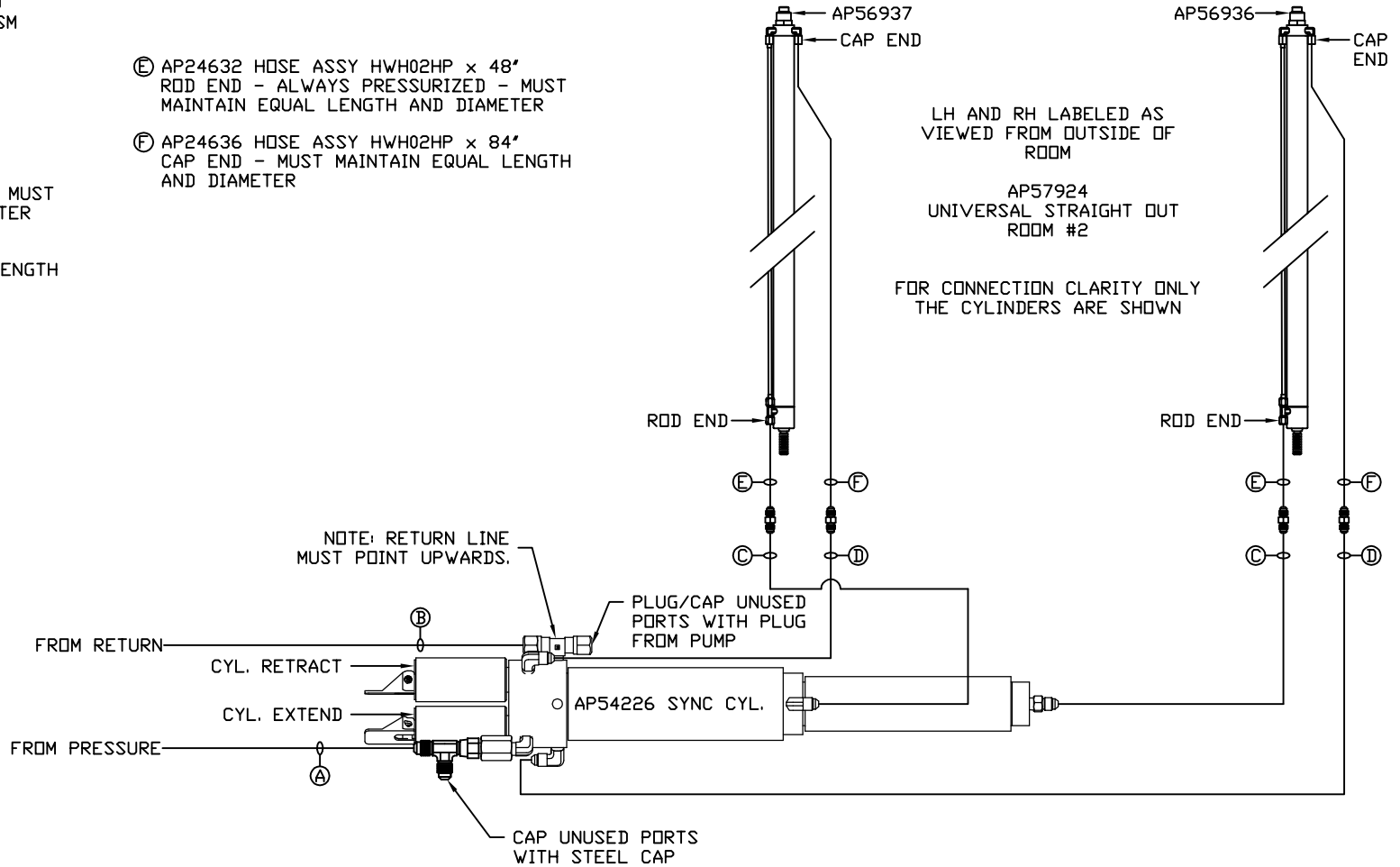
NOTE: INSTALLATION MUST CONFORM TO GOOD SHOP PRACTICES, SAE STANDARDS, RVIA STANDARDS, AND OTHER APPLICABLE STANDARDS.

MP71126 B/C
29NOV17

NOTE: HOSES ⑤ AND ⑥ ARE INCLUDED WITH THE ROOM EXTENSION MECHANISM

- ① AP4163 HOSE ASSY 04 x 360" PRESSURE
- ② P4479 TUBING NYLON 3/8" x 360" RETURN
- ③ AP49245 HOSE ASSY 03 x 120" ROD END - ALWAYS PRESSURIZED - MUST MAINTAIN EQUAL LENGTH AND DIAMETER
- ④ AP4161 HOSE ASSY 04 x 120" CAP END - MUST MAINTAIN EQUAL LENGTH AND DIAMETER

- ⑤ AP24632 HOSE ASSY HWH02HP x 48" ROD END - ALWAYS PRESSURIZED - MUST MAINTAIN EQUAL LENGTH AND DIAMETER
- ⑥ AP24636 HOSE ASSY HWH02HP x 84" CAP END - MUST MAINTAIN EQUAL LENGTH AND DIAMETER



NOTE: INSTALLATION MUST CONFORM TO GOOD SHOP PRACTICES, SAE STANDARDS, RVIA STANDARDS, AND OTHER APPLICABLE STANDARDS.

MP71126 C/C
29NOV17