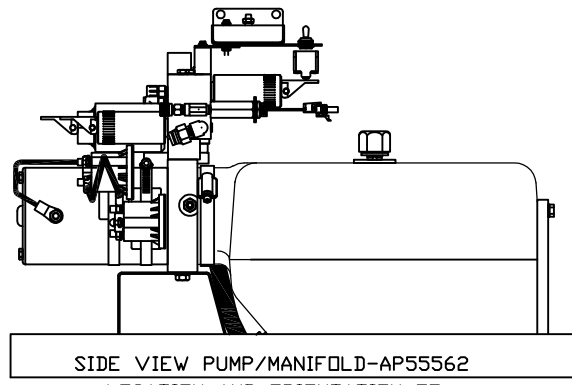
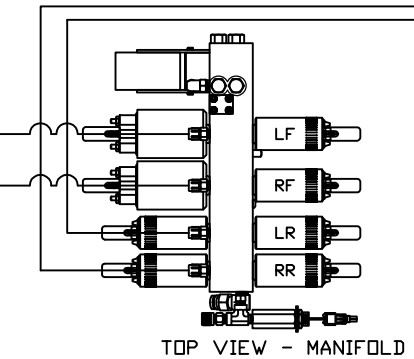
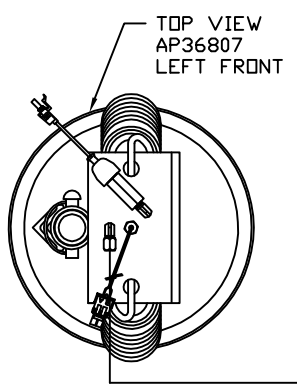
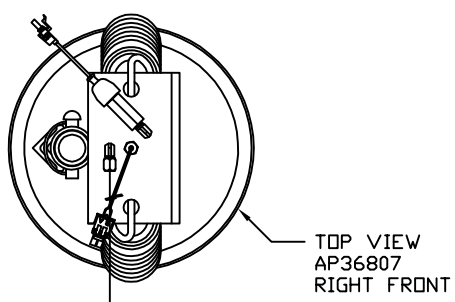
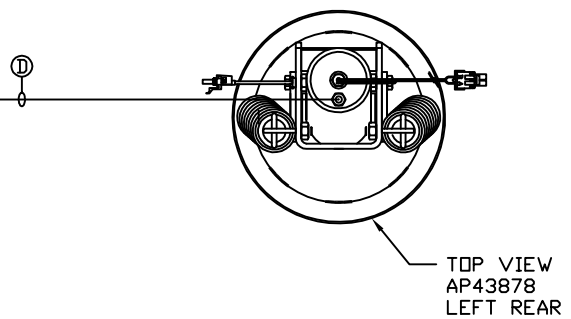
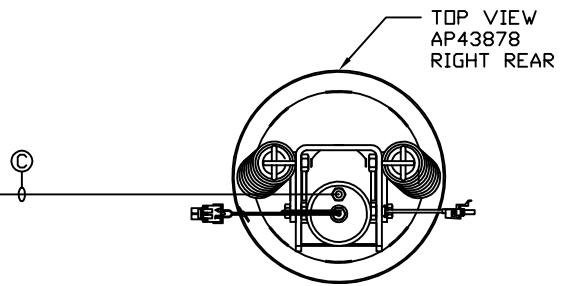


ORIENTATION  
← FRONT



LOCATION AND ORIENTATION OF PUMP/MANIFOLD ASSEMBLY WILL DIFFER DEPENDING UPON O.E.M.



- Ⓐ HOSE ASSY 04
- Ⓑ HOSE ASSY 04
- Ⓒ HOSE ASSY 04
- Ⓓ HOSE ASSY 04

NOTE: CROSS TIES REQUIRED FOR REAR JACKS

NOTE: INSTALLATION MUST CONFORM TO GOOD SHOP PRACTICES, SAE STANDARDS, RVIA STANDARDS, AND OTHER APPLICABLE STANDARDS.

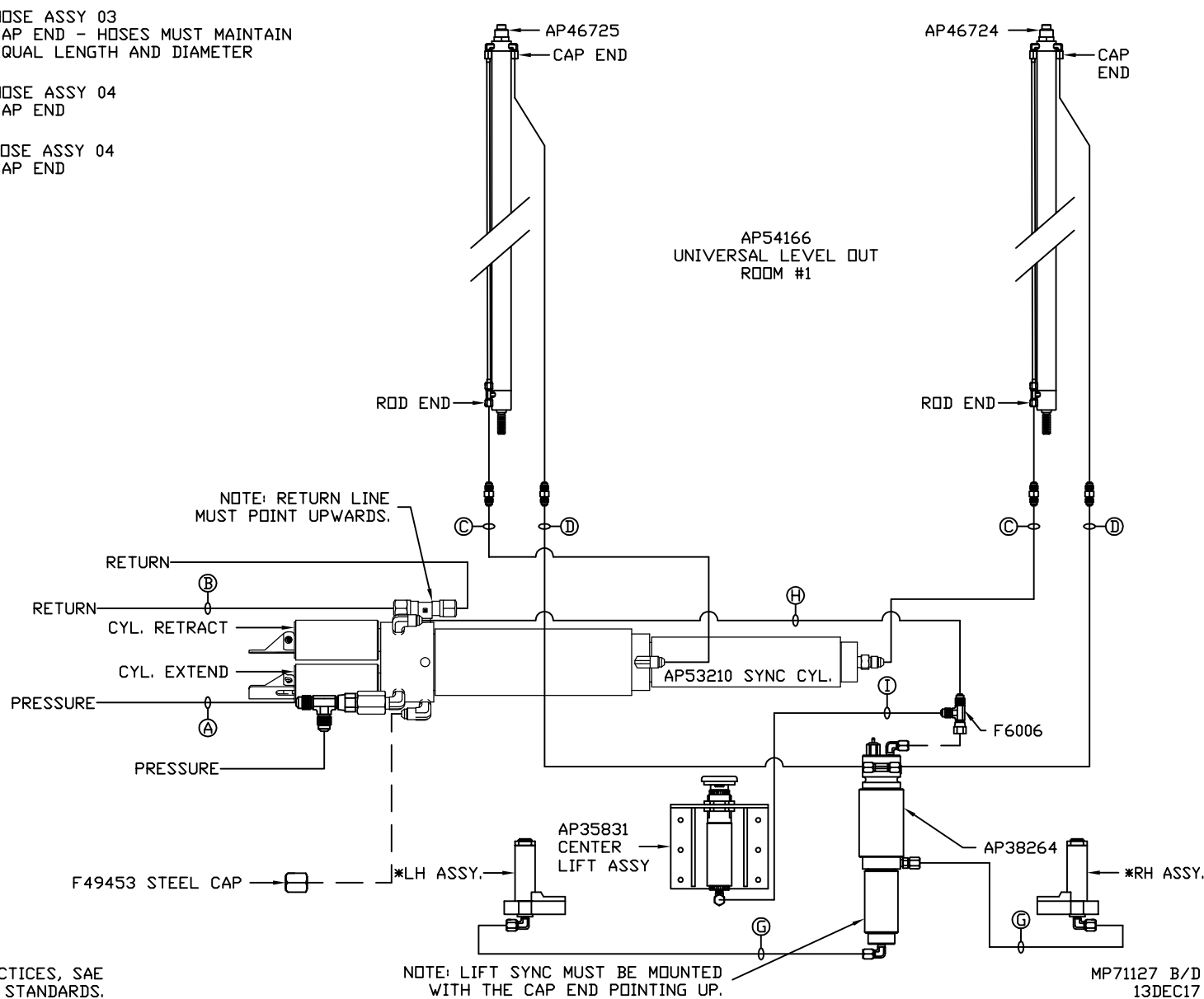
LEVELING SYSTEM: AP58315

		<b>HWH</b>		I-80 EXIT 267 SOUTH RT 1 MOSCOW, IOWA 52760	
		SCALE 1:6	DATE 13DEC17	DRAWN BY .	
		HYD CONN DIAGRAM			
NO.	DATE	REVISION			
		LIFELINE		DRAWING NUMBER MP71127 A/D	
<small>THE INFORMATION DISCLOSED ON THIS DRAWING IS CONFIDENTIAL AND MUST NOT BE DISCLOSED OR USED IN ANY MANNER WHICH WILL BE DETRIMENTAL TO THE HWH CORPORATION</small>					

\*: PART OF THE ROOM  
EXTENSION MECHANISM.

- (A) HOSE ASSY 04  
PRESSURE
- (B) .375" OD NYLON TUBING  
RETURN
- (C) HOSE ASSY 03  
ROD END - ALWAYS PRESSURIZED  
HOSES MUST MAINTAIN EQUAL  
LENGTH AND DIAMETER
- (D) HOSE ASSY 04  
CAP END - HOSES MUST MAINTAIN  
EQUAL LENGTH AND DIAMETER

- (G) HOSE ASSY 03  
CAP END - HOSES MUST MAINTAIN  
EQUAL LENGTH AND DIAMETER
- (H) HOSE ASSY 04  
CAP END
- (I) HOSE ASSY 04  
CAP END



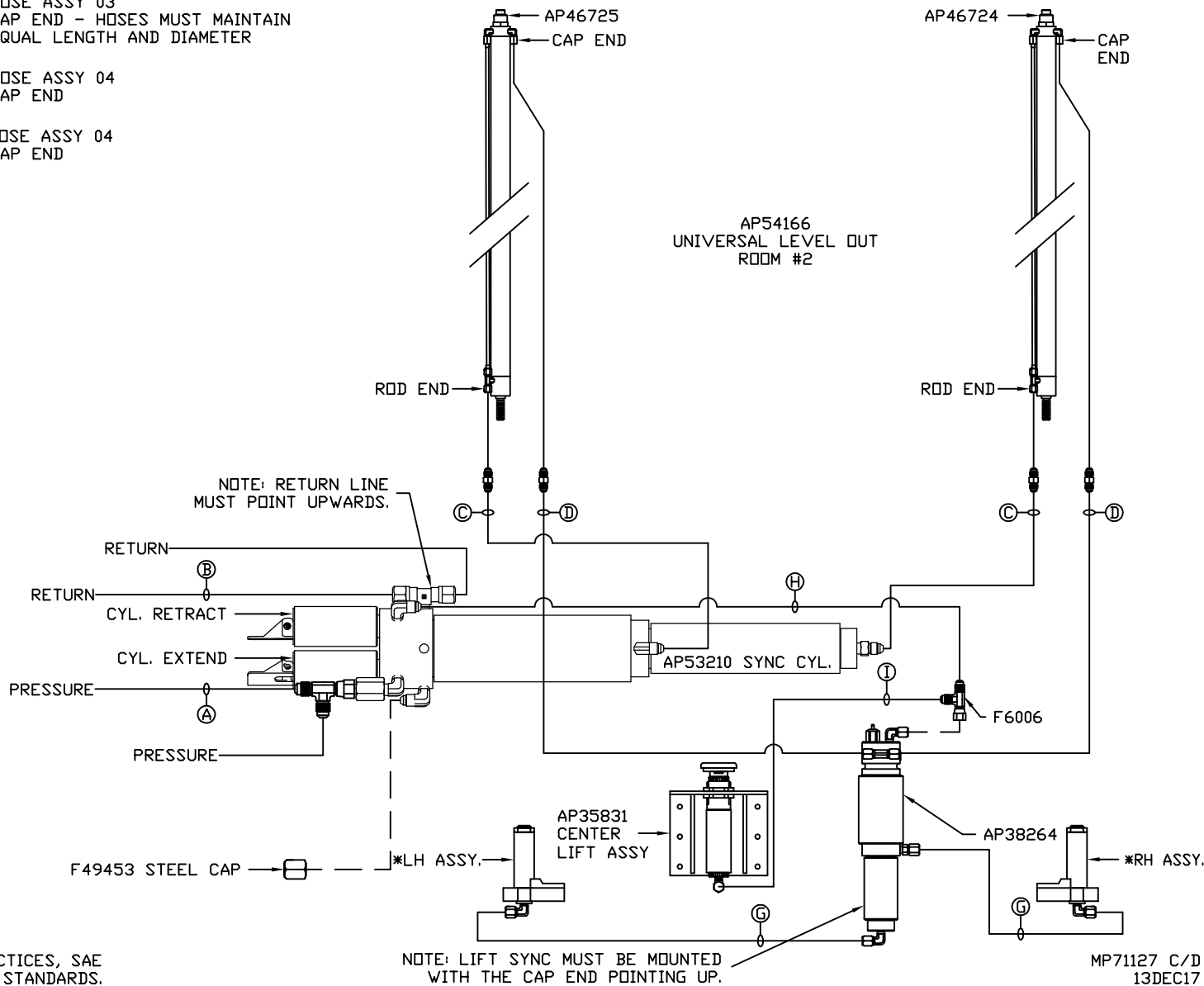
NOTE: INSTALLATION MUST CONFORM TO GOOD SHOP PRACTICES, SAE  
STANDARDS, RVIA STANDARDS, AND OTHER APPLICABLE STANDARDS.

MP71127 B/D  
13DEC17

\*: PART OF THE ROOM  
EXTENSION MECHANISM.

- (A) HOSE ASSY 04  
PRESSURE
- (B) .375" OD NYLON TUBING  
RETURN
- (C) HOSE ASSY 03  
ROD END - ALWAYS PRESSURIZED  
HOSES MUST MAINTAIN EQUAL  
LENGTH AND DIAMETER
- (D) HOSE ASSY 04  
CAP END - HOSES MUST MAINTAIN  
EQUAL LENGTH AND DIAMETER

- (G) HOSE ASSY 03  
CAP END - HOSES MUST MAINTAIN  
EQUAL LENGTH AND DIAMETER
- (H) HOSE ASSY 04  
CAP END
- (I) HOSE ASSY 04  
CAP END



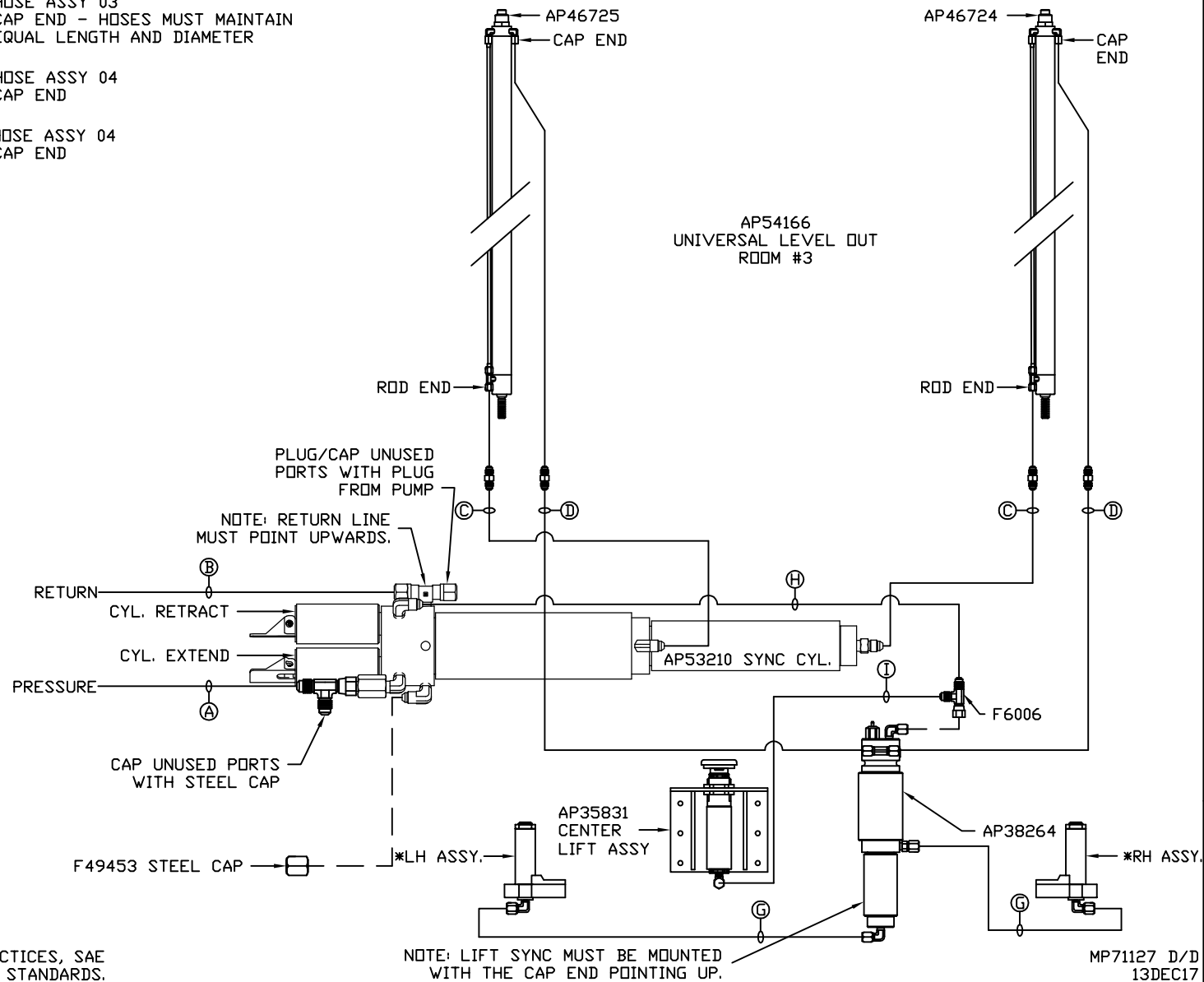
NOTE: INSTALLATION MUST CONFORM TO GOOD SHOP PRACTICES, SAE  
STANDARDS, RVIA STANDARDS, AND OTHER APPLICABLE STANDARDS.

MP71127 C/D  
13DEC17

\*: PART OF THE ROOM  
EXTENSION MECHANISM.

- (A) HOSE ASSY 04  
PRESSURE
- (B) .375" OD NYLON TUBING  
RETURN
- (C) HOSE ASSY 03  
ROD END - ALWAYS PRESSURIZED  
HOSES MUST MAINTAIN EQUAL  
LENGTH AND DIAMETER
- (D) HOSE ASSY 04  
CAP END - HOSES MUST MAINTAIN  
EQUAL LENGTH AND DIAMETER

- (G) HOSE ASSY 03  
CAP END - HOSES MUST MAINTAIN  
EQUAL LENGTH AND DIAMETER
- (H) HOSE ASSY 04  
CAP END
- (I) HOSE ASSY 04  
CAP END



NOTE: INSTALLATION MUST CONFORM TO GOOD SHOP PRACTICES, SAE  
STANDARDS, RVIA STANDARDS, AND OTHER APPLICABLE STANDARDS.

MP71127 D/D  
13DEC17