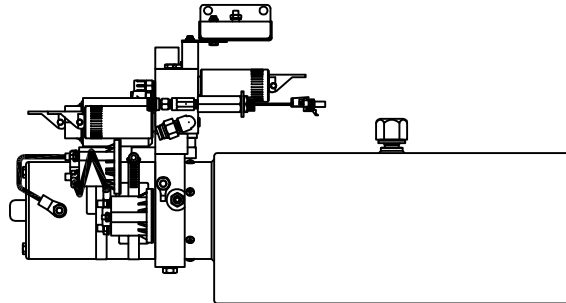
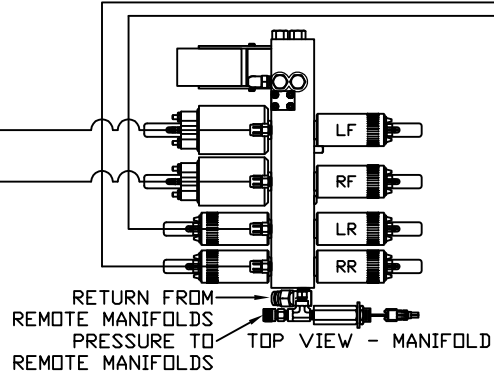
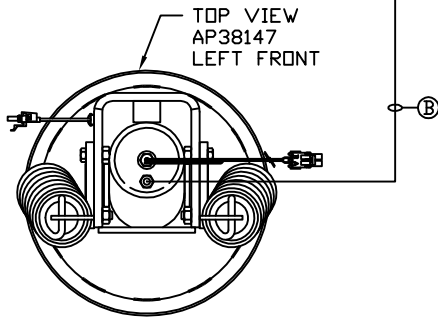
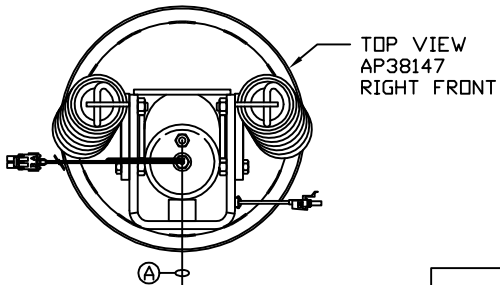
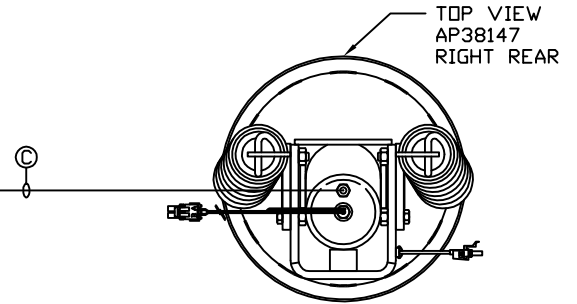


ORIENTATION
← FRONT

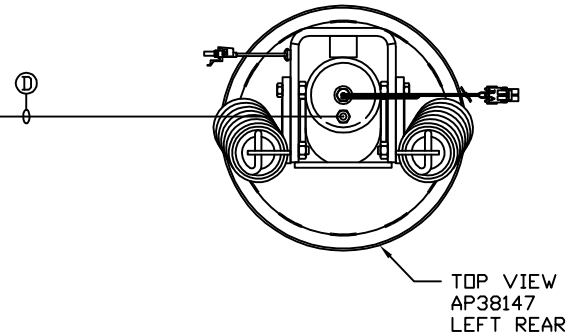


LOCATION AND ORIENTATION OF
PUMP/MANIFOLD ASSEMBLY WILL
DIFFER DEPENDING UPON O.E.M.



- Ⓐ AP4161 HOSE ASSY 04 X 120"
- Ⓑ AP1412 HOSE ASSY 04 X 84"
- Ⓒ AP4064 HOSE ASSY 04 X 300"
- Ⓓ AP5562 HOSE ASSY 04 X 276"

NOTE: CROSS TIES REQUIRED
FOR REAR JACKS



NOTE: INSTALLATION MUST CONFORM TO GOOD SHOP PRACTICES, SAE
STANDARDS, RVIA STANDARDS, AND OTHER APPLICABLE STANDARDS.

LEVELING SYSTEM: AP55089

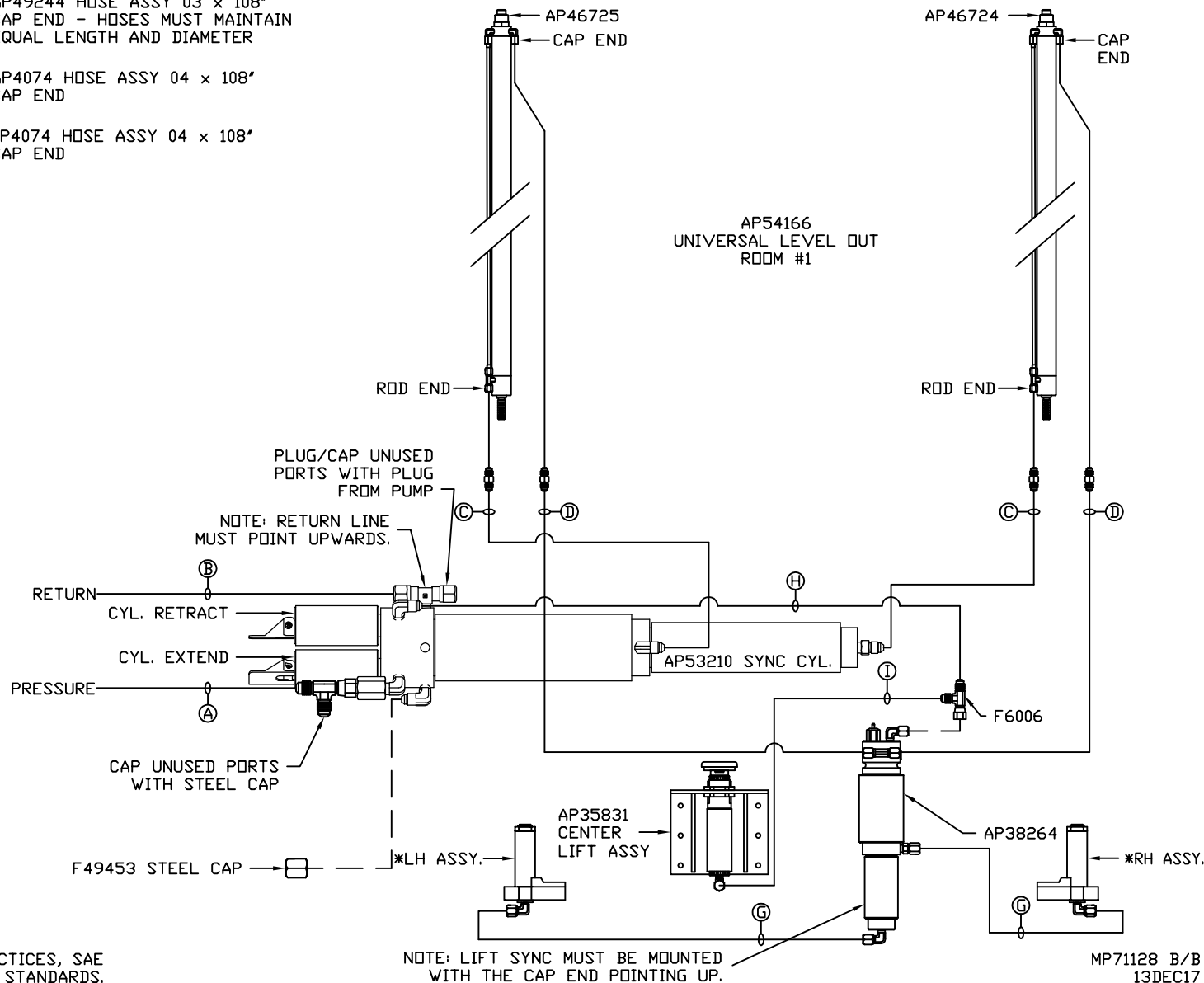
		HWH		I-80 EXIT 267 SOUTH RT 1 MOSCOW, IOWA 52760	
		SCALE 1:6	DATE 13DEC17	DRAWN BY .	
		HYD CONN DIAGRAM			
NO.	DATE	REVISION			
		THE INFORMATION DISCLOSED ON THIS DRAWING IS CONFIDENTIAL AND MUST NOT BE DISCLOSED OR USED IN ANY MANNER WHICH WILL BE DETRIMENTAL TO THE HWH CORPORATION			DRAWING NUMBER MP71128 A/B
		LIFELINE			

*: PART OF THE ROOM
EXTENSION MECHANISM.

AP58368 HOSE KIT 1 ROOM

- (A) AP4064 HOSE ASSY 04 x 300"
PRESSURE
- (B) .375" OD NYLON TUBING
RETURN
- (C) AP49244 HOSE ASSY 03 x 108"
ROD END - ALWAYS PRESSURIZED
HOSES MUST MAINTAIN EQUAL
LENGTH AND DIAMETER
- (D) AP4074 HOSE ASSY 04 x 108"
CAP END - HOSES MUST MAINTAIN
EQUAL LENGTH AND DIAMETER

- (G) AP49244 HOSE ASSY 03 x 108"
CAP END - HOSES MUST MAINTAIN
EQUAL LENGTH AND DIAMETER
- (H) AP4074 HOSE ASSY 04 x 108"
CAP END
- (I) AP4074 HOSE ASSY 04 x 108"
CAP END



NOTE: INSTALLATION MUST CONFORM TO GOOD SHOP PRACTICES, SAE STANDARDS, RVIA STANDARDS, AND OTHER APPLICABLE STANDARDS.

NOTE: LIFT SYNC MUST BE MOUNTED WITH THE CAP END POINTING UP.

MP71128 B/B
13DEC17