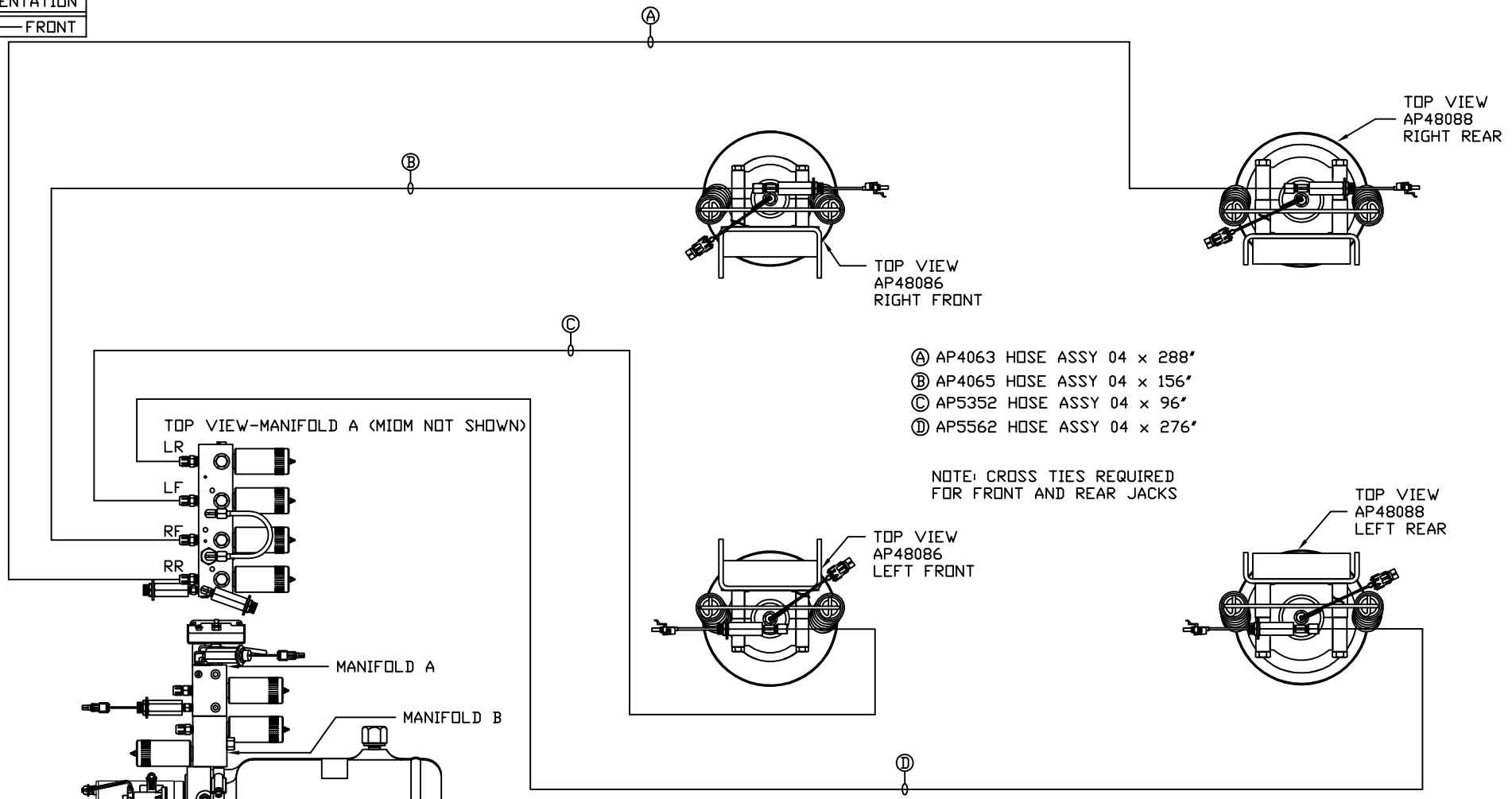
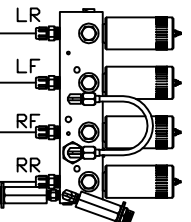


ORIENTATION
← FRONT

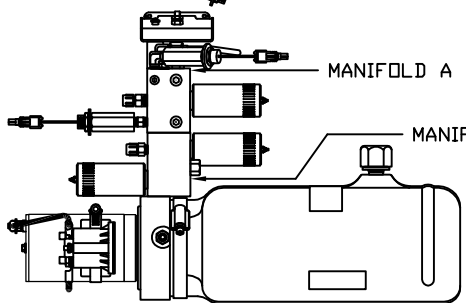


TOP VIEW-MANIFOLD A (MIDM NOT SHOWN)



MANIFOLD A

MANIFOLD B



SIDE VIEW PUMP/MANIFOLD-AP58582

LOCATION AND ORIENTATION OF PUMP/MANIFOLD ASSEMBLY WILL DIFFER DEPENDING UPON O.E.M.

- Ⓐ AP4063 HOSE ASSY 04 x 288"
- Ⓑ AP4065 HOSE ASSY 04 x 156"
- Ⓒ AP5352 HOSE ASSY 04 x 96"
- Ⓓ AP5562 HOSE ASSY 04 x 276"

NOTE: CROSS TIES REQUIRED FOR FRONT AND REAR JACKS

SYNC KIT: AP53871	NO.	DATE	REVISION
PUMP KIT: AP58590	THE INFORMATION DISCLOSED ON THIS DRAWING IS CONFIDENTIAL AND MUST NOT BE DISCLOSED OR USED IN ANY MANNER WHICH WILL BE DETRIMENTAL TO THE HWH CORPORATION		
JACK KIT: AP58585			

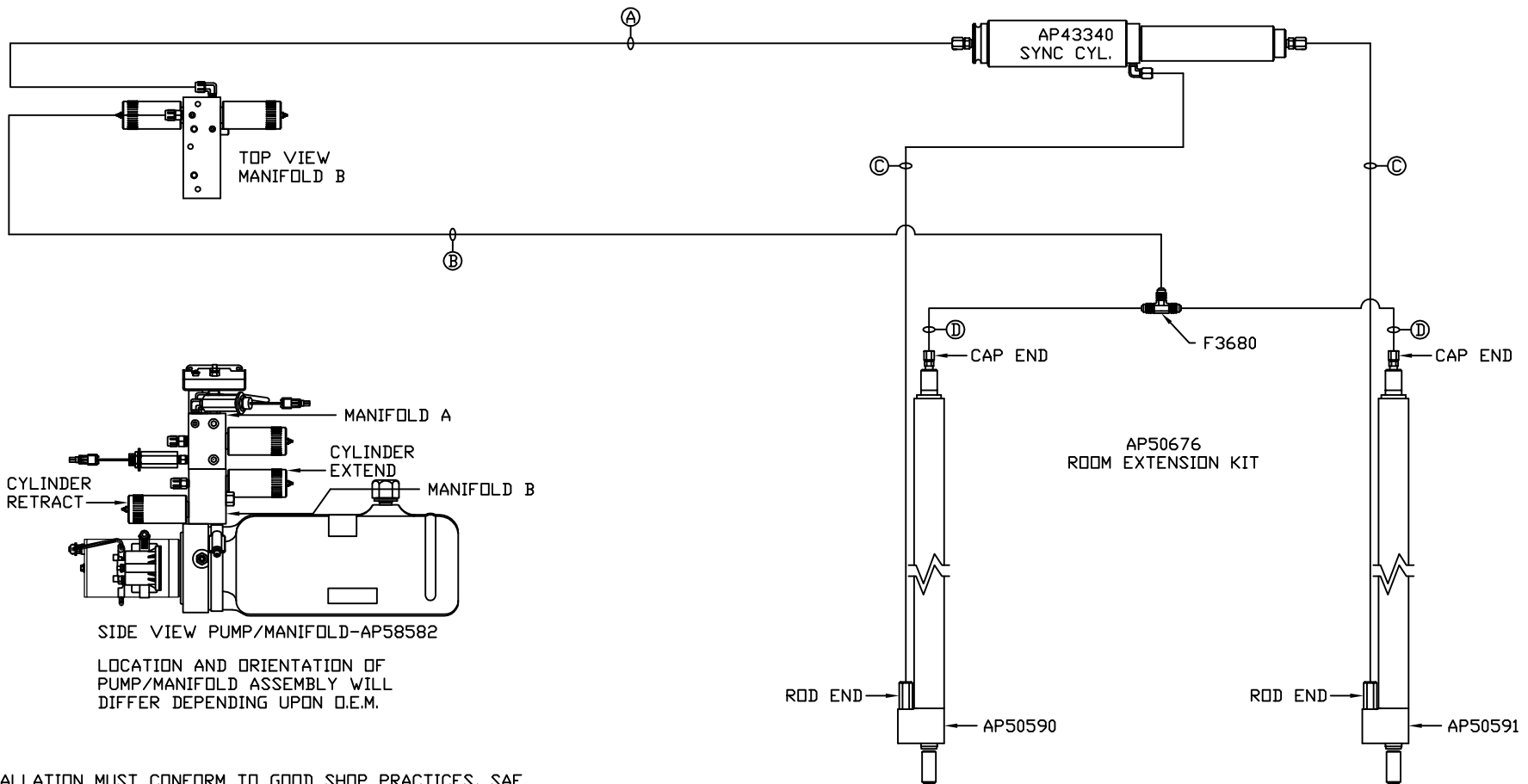
<h1 style="margin: 0;">HWH</h1>		I-80 EXIT 267 SOUTH RT 1 MOSCOW, IOWA 52760	
		SCALE 1:6	DATE 14FEB18
HYD CONN DIAGRAM			
TIFFIN			DRAWING NUMBER MP71145 A/B

NOTE: INSTALLATION MUST CONFORM TO GOOD SHOP PRACTICES, SAE STANDARDS, RVIA STANDARDS, AND OTHER APPLICABLE STANDARDS.

ORIENTATION

← FRONT

- Ⓐ AP4159 HOSE ASSY 04 x 72"
ROD END - ALWAYS PRESSURIZED
- Ⓑ AP5352 HOSE ASSY 04 x 96"
CAP END
- Ⓒ AP49517 HOSE ASSY 03 x 180"
ROD END - ALWAYS PRESSURIZED
HOSES MUST MAINTAIN EQUAL
LENGTH AND DIAMETER
- Ⓓ AP10913 HOSE ASSY 04 x 162"
CAP END - HOSES MUST MAINTAIN
EQUAL LENGTH AND DIAMETER



SIDE VIEW PUMP/MANIFOLD-AP58582

LOCATION AND ORIENTATION OF
PUMP/MANIFOLD ASSEMBLY WILL
DIFFER DEPENDING UPON O.E.M.

NOTE: INSTALLATION MUST CONFORM TO GOOD SHOP PRACTICES, SAE
STANDARDS, RVIA STANDARDS, AND OTHER APPLICABLE STANDARDS.