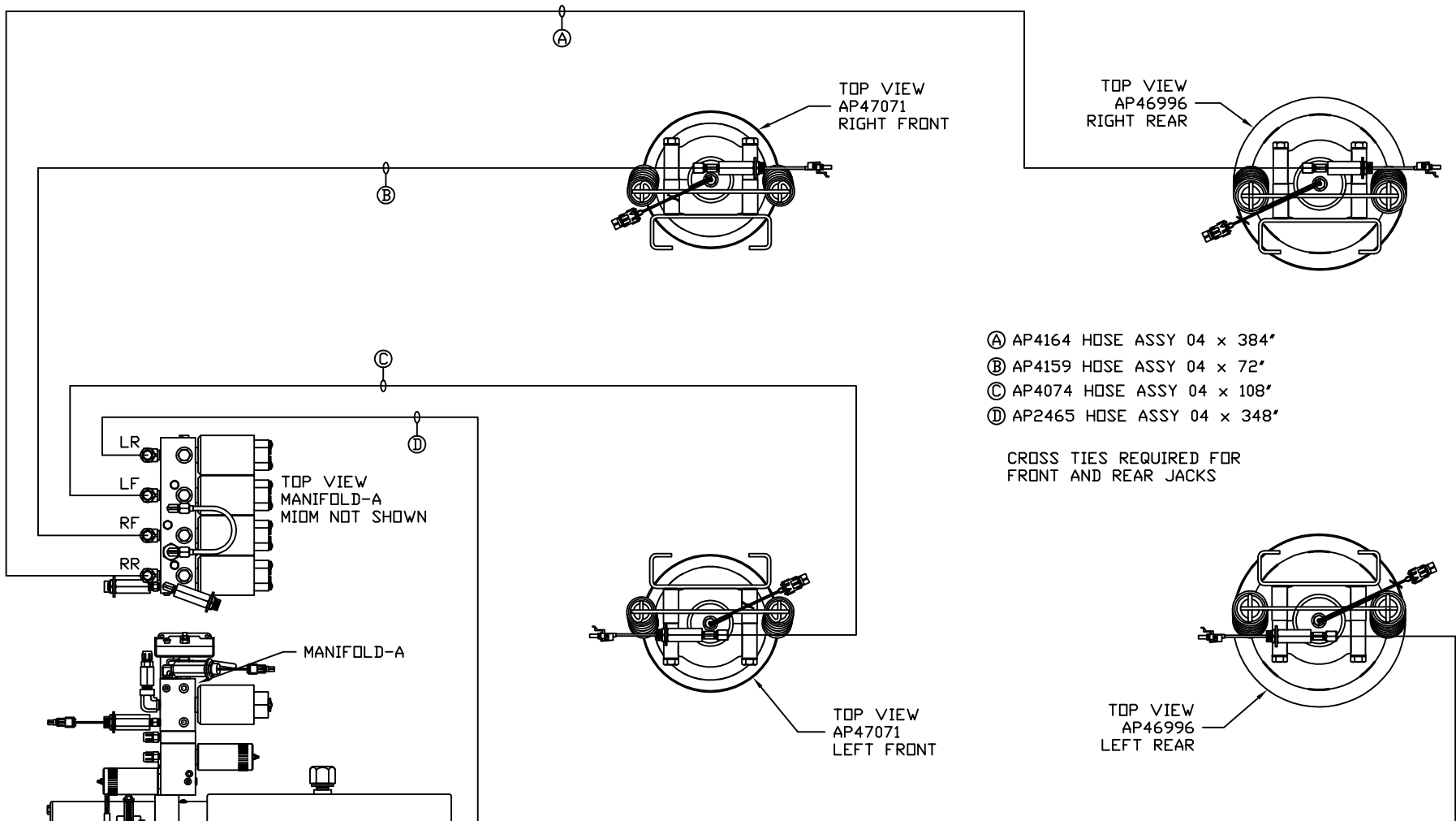


ORIENTATION  
← FRONT



- (A) AP4164 HOSE ASSY 04 x 384"
- (B) AP4159 HOSE ASSY 04 x 72"
- (C) AP4074 HOSE ASSY 04 x 108"
- (D) AP2465 HOSE ASSY 04 x 348"

CROSS TIES REQUIRED FOR FRONT AND REAR JACKS

SIDE VIEW PUMP/MANIFOLD-AP58569

LOCATION AND ORIENTATION OF PUMP/MANIFOLD ASSEMBLY WILL DIFFER DEPENDING UPON O.E.M.

NOTE: INSTALLATION MUST CONFORM TO GOOD SHOP PRACTICES, SAE STANDARDS, RVIA STANDARDS, AND OTHER APPLICABLE STANDARDS.

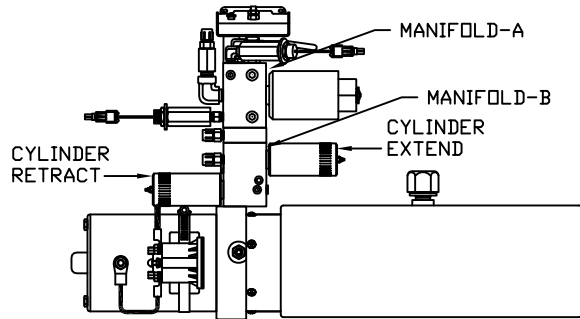
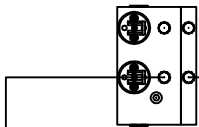
		<b>HWH</b>		I-80 EXIT 267 SOUTH RT 1 MOSCOW, IOWA 52760	
		SCALE 1:6	DATE 15FEB18	DRAWN BY .	
		HYD CONN DIAGRAM			
SYNC KIT: AP53363	NO.	DATE	REVISION		
PUMP KIT: AP58567	THE INFORMATION DISCLOSED ON THIS DRAWING IS CONFIDENTIAL AND MUST NOT BE DISCLOSED OR USED IN ANY MANNER WHICH WILL BE DETRIMENTAL TO THE HWH CORPORATION				
JACK KIT: AP58565	TIFFIN			DRAWING NUMBER MP71146 A/C	

**ORIENTATION**

← FRONT

- Ⓐ AP4073 HOSE ASSY 04 × 60'  
ROD END - ALWAYS PRESSURIZED
- Ⓑ AP4159 HOSE ASSY 04 × 72'  
CAP END
- Ⓒ AP49246 HOSE ASSY 03 × 156'  
ROD END - ALWAYS PRESSURIZED - MUST  
MAINTAIN EQUAL LENGTH AND DIAMETER
- Ⓓ AP4065 HOSE ASSY 04 × 156'  
CAP END - MUST MAINTAIN EQUAL LENGTH  
AND DIAMETER

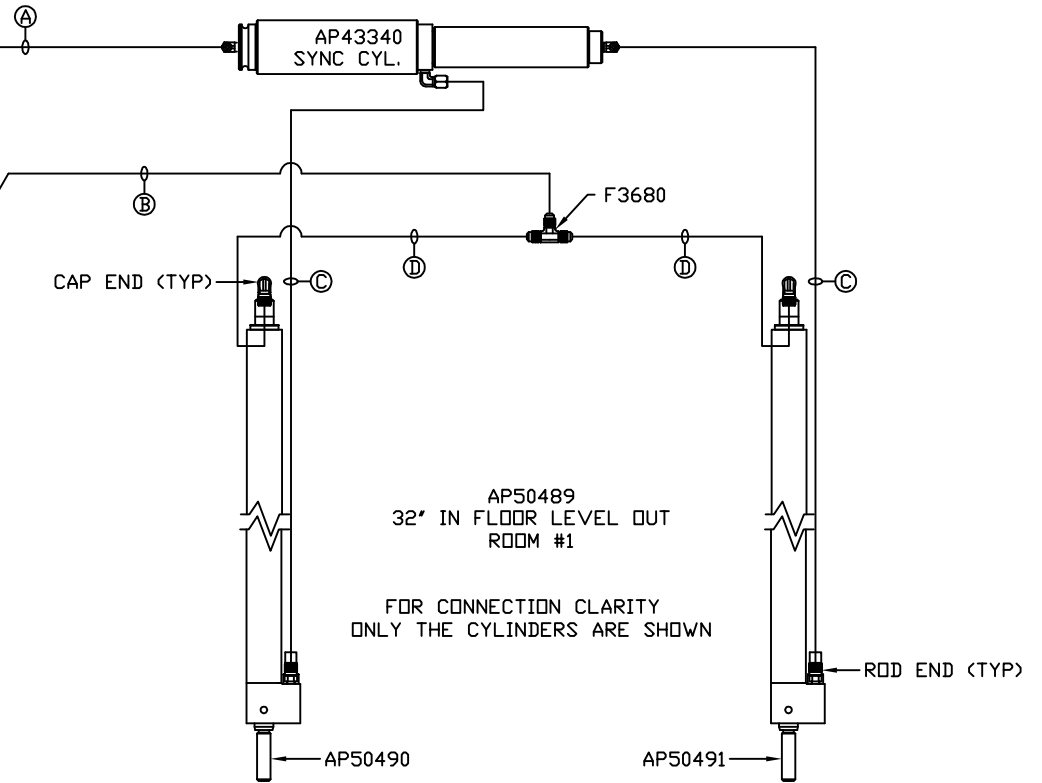
FRONT VIEW  
MANIFOLD-B



SIDE VIEW PUMP/MANIFOLD-AP58569

LOCATION AND ORIENTATION OF  
PUMP/MANIFOLD ASSEMBLY WILL  
DIFFER DEPENDING UPON O.E.M.

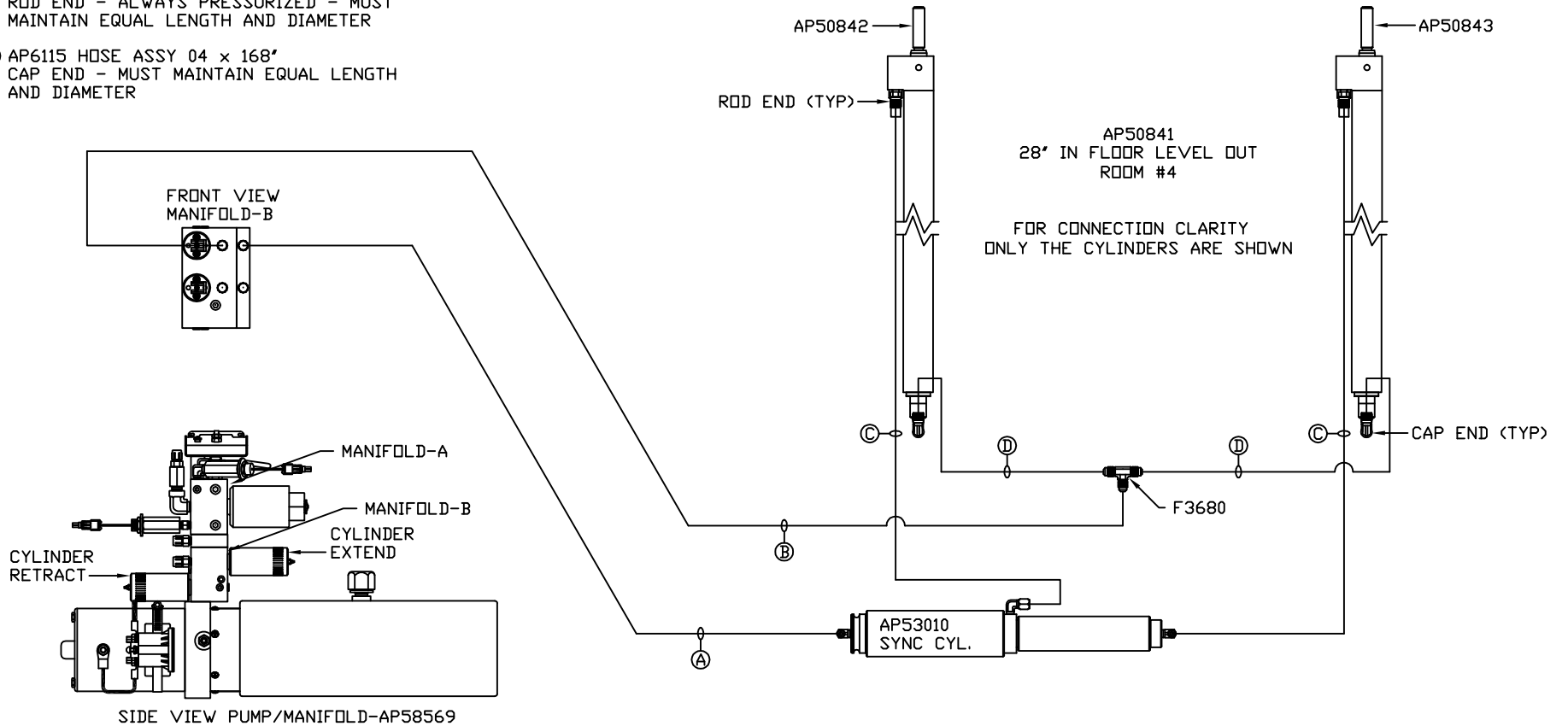
NOTE: INSTALLATION MUST CONFORM TO GOOD SHOP PRACTICES, SAE  
STANDARDS, RVIA STANDARDS, AND OTHER APPLICABLE STANDARDS.



ORIENTATION

← FRONT

- Ⓐ AP5351 HOSE ASSY 04 x 66"  
ROD END - ALWAYS PRESSURIZED
- Ⓑ AP5352 HOSE ASSY 04 x 96"  
CAP END
- Ⓒ AP50261 HOSE ASSY 03 x 168"  
ROD END - ALWAYS PRESSURIZED - MUST  
MAINTAIN EQUAL LENGTH AND DIAMETER
- Ⓓ AP6115 HOSE ASSY 04 x 168"  
CAP END - MUST MAINTAIN EQUAL LENGTH  
AND DIAMETER



SIDE VIEW PUMP/MANIFOLD-AP58569

LOCATION AND ORIENTATION OF  
PUMP/MANIFOLD ASSEMBLY WILL  
DIFFER DEPENDING UPON O.E.M.

NOTE: INSTALLATION MUST CONFORM TO GOOD SHOP PRACTICES, SAE  
STANDARDS, RVIA STANDARDS, AND OTHER APPLICABLE STANDARDS.

MP71146 C/C  
15FEB18