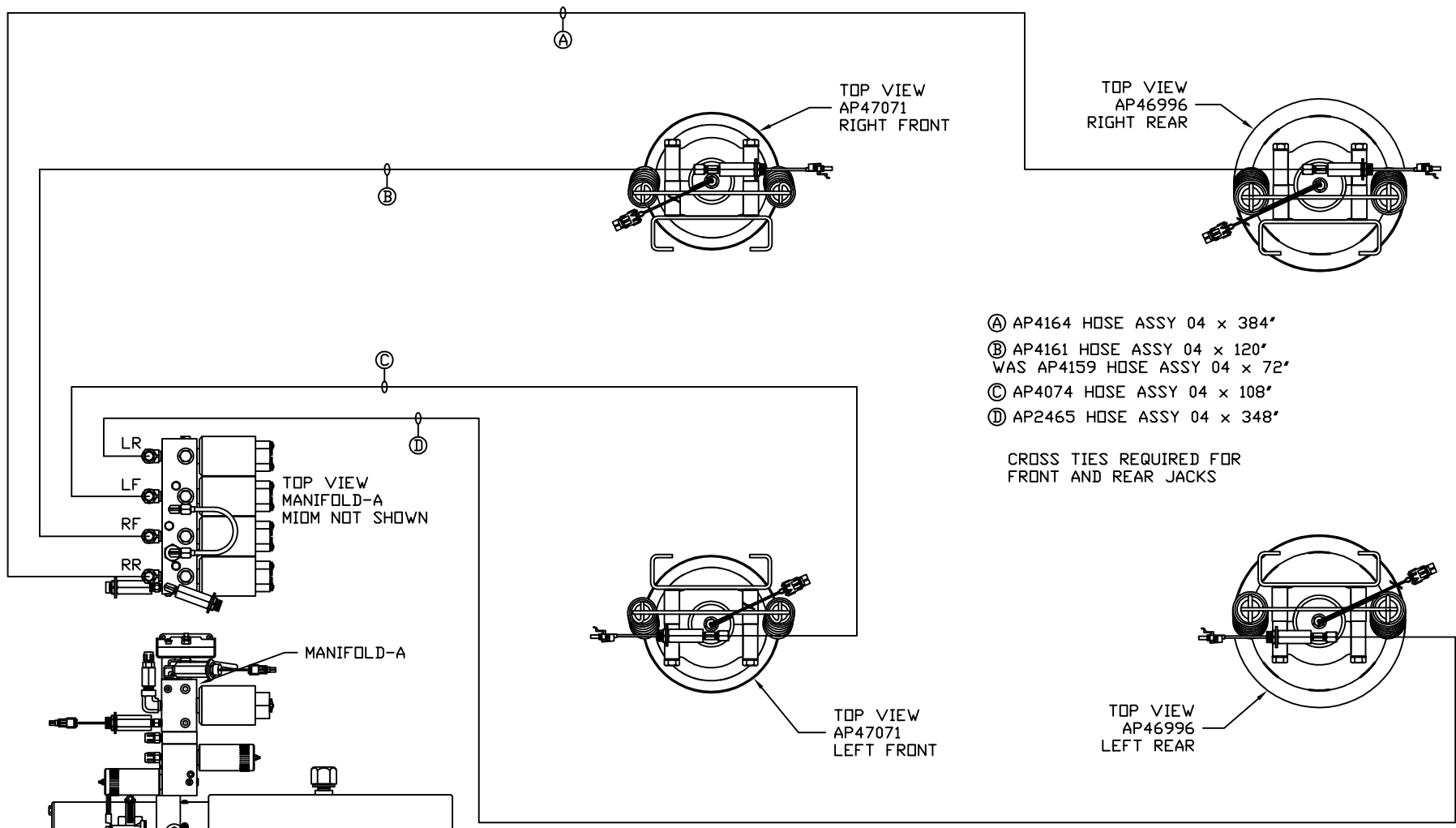
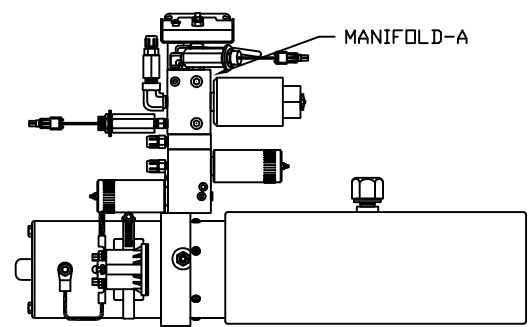


ORIENTATION
← FRONT



- Ⓐ AP4164 HOSE ASSY 04 x 384"
- Ⓑ AP4161 HOSE ASSY 04 x 120"
WAS AP4159 HOSE ASSY 04 x 72"
- Ⓒ AP4074 HOSE ASSY 04 x 108"
- Ⓓ AP2465 HOSE ASSY 04 x 348"

CROSS TIES REQUIRED FOR FRONT AND REAR JACKS



SIDE VIEW PUMP/MANIFOLD-AP58569

LOCATION AND ORIENTATION OF PUMP/MANIFOLD ASSEMBLY WILL DIFFER DEPENDING UPON O.E.M.

NOTE: INSTALLATION MUST CONFORM TO GOOD SHOP PRACTICES, SAE STANDARDS, RVIA STANDARDS, AND OTHER APPLICABLE STANDARDS.

SYNC KIT: AP53363		PUMP KIT: AP58567		JACK KIT: AP58565		<p style="text-align: center;">HWH I-80 EXIT 267 SOUTH RT 1 MOSCOW, IOWA 52760</p> <p>SCALE 1:6 DATE 15FEB18 DRAWN BY .</p> <p style="text-align: center;">HYD CONN DIAGRAM</p> <p style="text-align: center;">TIFFIN</p>			DRAWING NUMBER MP71147 A/C	
2	29OCT19	REVISED HOSES								
△	18JUL19	ADDED NOTE								
NO.	DATE	REVISION								
<p style="text-align: center;">THE INFORMATION DISCLOSED ON THIS DRAWING IS CONFIDENTIAL AND MUST NOT BE DISCLOSED OR USED IN ANY MANNER WHICH WILL BE DETRIMENTAL TO THE HWH CORPORATION</p>										

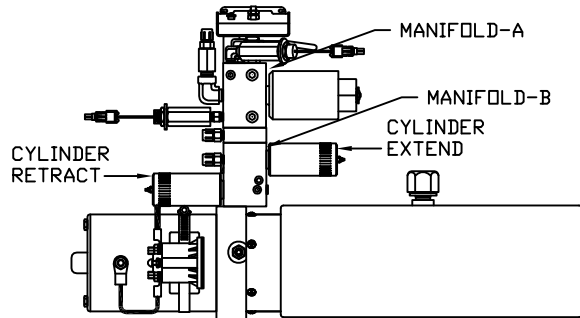
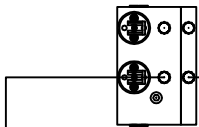
ORIENTATION

← FRONT

⚠ NOTE FOR EARLY 2019 MODELS - 32' KIT - AP50849 - AP50491 - AP50492

- Ⓐ AP5352 HOSE ASSY 04 x 96'
WAS AP4073 HOSE ASSY 04 x 60'
ROD END - ALWAYS PRESSURIZED
- Ⓑ AP10566 HOSE ASSY 04 x 102'
WAS AP4159 HOSE ASSY 04 x 72'
CAP END
- Ⓒ AP49246 HOSE ASSY 03 x 156'
ROD END - ALWAYS PRESSURIZED - MUST
MAINTAIN EQUAL LENGTH AND DIAMETER
- Ⓓ AP4065 HOSE ASSY 04 x 156'
CAP END - MUST MAINTAIN EQUAL LENGTH
AND DIAMETER

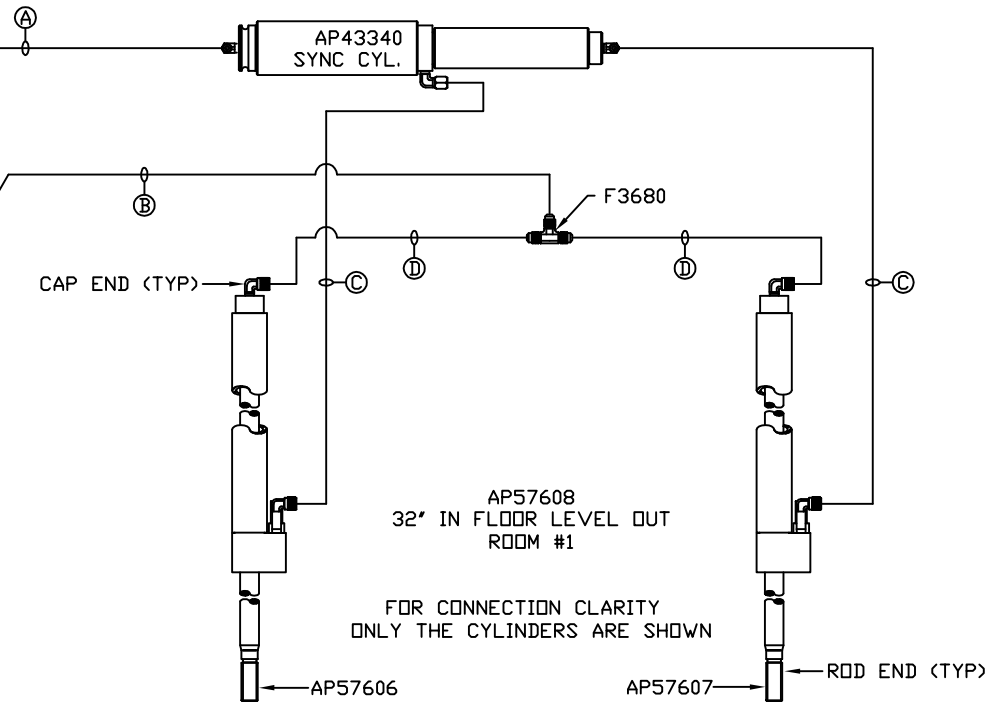
FRONT VIEW
MANIFOLD-B



SIDE VIEW PUMP/MANIFOLD-AP58569

LOCATION AND ORIENTATION OF
PUMP/MANIFOLD ASSEMBLY WILL
DIFFER DEPENDING UPON O.E.M.

NOTE: INSTALLATION MUST CONFORM TO GOOD SHOP PRACTICES, SAE
STANDARDS, RVIA STANDARDS, AND OTHER APPLICABLE STANDARDS.



ORIENTATION

← FRONT

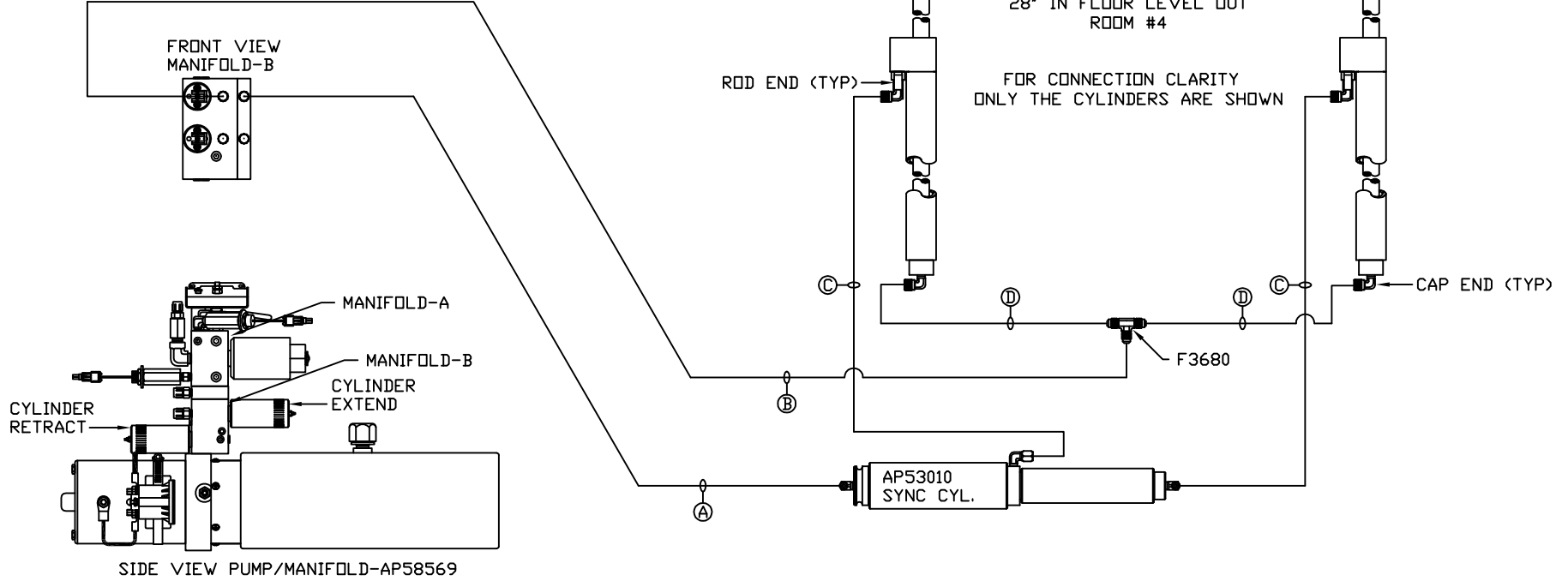
▲ NOTE FOR EARLY 2019 MODELS - 28' KIT - AP50841 - AP50842
AP50843

Ⓐ AP4074 HOSE ASSY 04 x 108'
WAS AP5351 HOSE ASSY 04 x 66'
ROD END - ALWAYS PRESSURIZED

Ⓑ AP53964 HOSE ASSY 04 x 114'
WAS AP5352 HOSE ASSY 04 x 96'
CAP END

Ⓒ AP49517 HOSE ASSY 03 x 180'
WAS AP50261 HOSE ASSY 03 x 168'
ROD END - ALWAYS PRESSURIZED - MUST
MAINTAIN EQUAL LENGTH AND DIAMETER

Ⓓ AP5965 HOSE ASSY 04 x 180'
WAS AP6115 HOSE ASSY 04 x 168'
CAP END - MUST MAINTAIN EQUAL LENGTH
AND DIAMETER



SIDE VIEW PUMP/MANIFOLD-AP58569

LOCATION AND ORIENTATION OF
PUMP/MANIFOLD ASSEMBLY WILL
DIFFER DEPENDING UPON O.E.M.

NOTE: INSTALLATION MUST CONFORM TO GOOD SHOP PRACTICES, SAE
STANDARDS, RVIA STANDARDS, AND OTHER APPLICABLE STANDARDS.