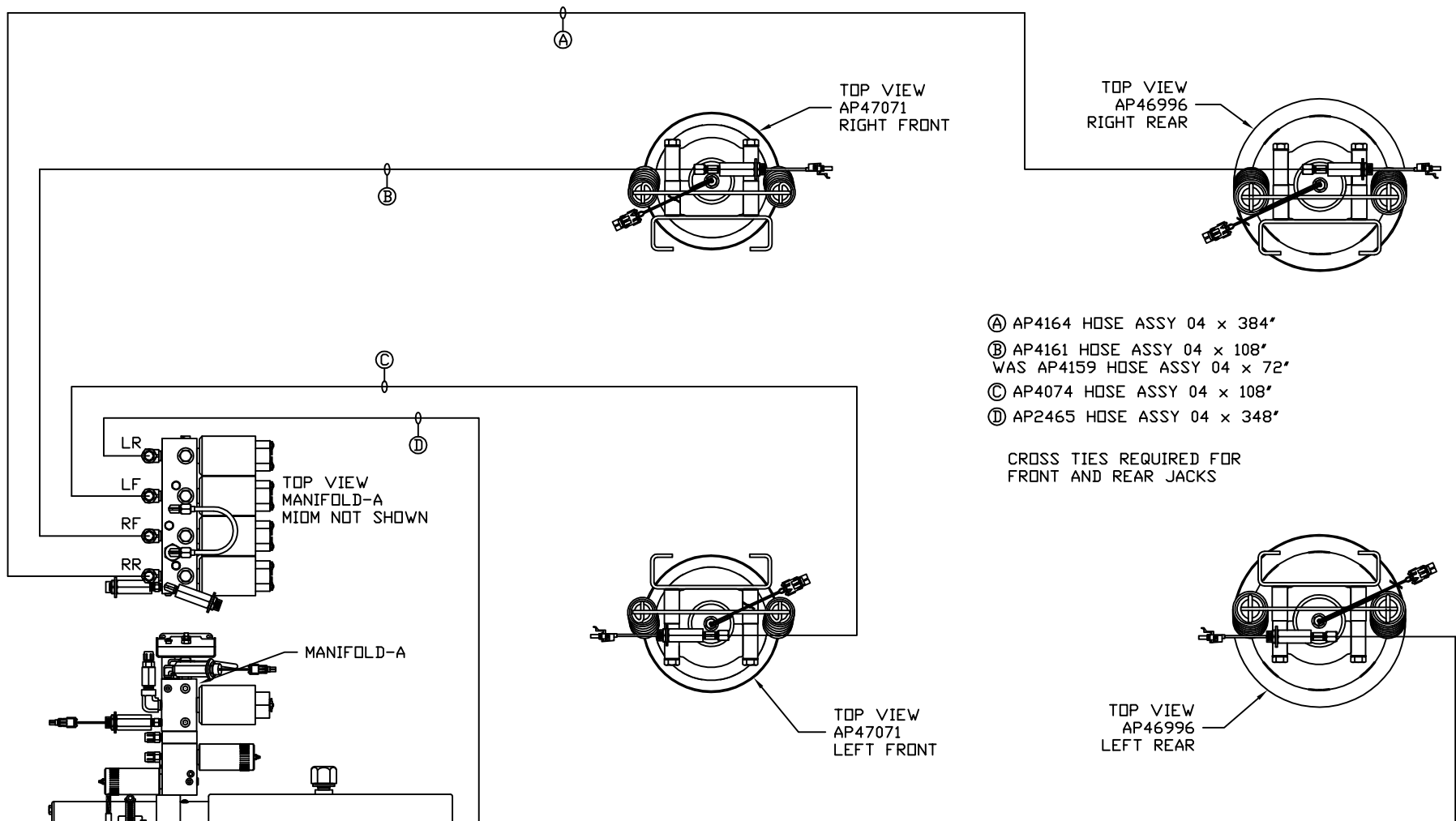
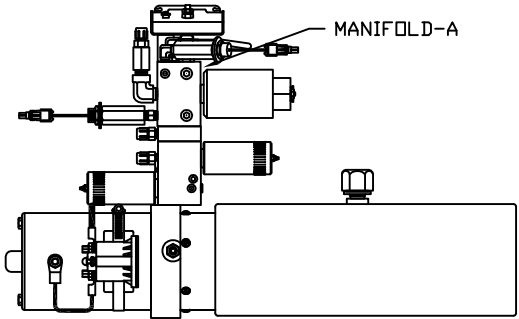


ORIENTATION
← FRONT



- Ⓐ AP4164 HOSE ASSY 04 x 384"
- Ⓑ AP4161 HOSE ASSY 04 x 108"
WAS AP4159 HOSE ASSY 04 x 72"
- Ⓒ AP4074 HOSE ASSY 04 x 108"
- Ⓓ AP2465 HOSE ASSY 04 x 348"

CROSS TIES REQUIRED FOR FRONT AND REAR JACKS



SIDE VIEW PUMP/MANIFOLD-AP58569

LOCATION AND ORIENTATION OF PUMP/MANIFOLD ASSEMBLY WILL DIFFER DEPENDING UPON O.E.M.

NOTE: INSTALLATION MUST CONFORM TO GOOD SHOP PRACTICES, SAE STANDARDS, RVIA STANDARDS, AND OTHER APPLICABLE STANDARDS.

2	29OCT19	REVISED HOSES
⚠	18JUL19	ADDED NOTE
NO.	DATE	REVISION
SYNC KIT: AP54137	THE INFORMATION DISCLOSED ON THIS DRAWING IS CONFIDENTIAL AND MUST NOT BE DISCLOSED OR USED IN ANY MANNER WHICH WILL BE DETRIMENTAL TO THE HWH CORPORATION	
PUMP KIT: AP58567		
JACK KIT: AP58565		

HWH			I-80 EXIT 267 SOUTH RT 1 MOSCOW, IOWA 52760		
SCALE 1:6	DATE 15FEB18	DRAWN BY .			
HYD CONN DIAGRAM					
TIFFIN				DRAWING NUMBER MP71148 A/C	

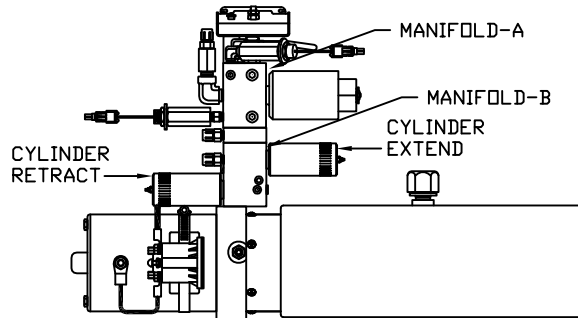
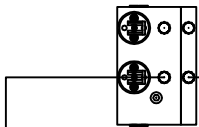
ORIENTATION

← FRONT

⚠ BEFORE 10/16/18 - 32' KIT - AP50849 - AP50490
AP50491

- Ⓐ AP4074 HOSE ASSY 04 x 108"
WAS AP5351 HOSE ASSY 04 x 66"
ROD END - ALWAYS PRESSURIZED
- Ⓑ AP53964 HOSE ASSY 04 x 114"
WAS AP5352 HOSE ASSY 04 x 96"
CAP END
- Ⓒ AP49246 HOSE ASSY 03 x 156"
ROD END - ALWAYS PRESSURIZED - MUST
MAINTAIN EQUAL LENGTH AND DIAMETER
- Ⓓ AP4065 HOSE ASSY 04 x 156"
CAP END - MUST MAINTAIN EQUAL LENGTH
AND DIAMETER

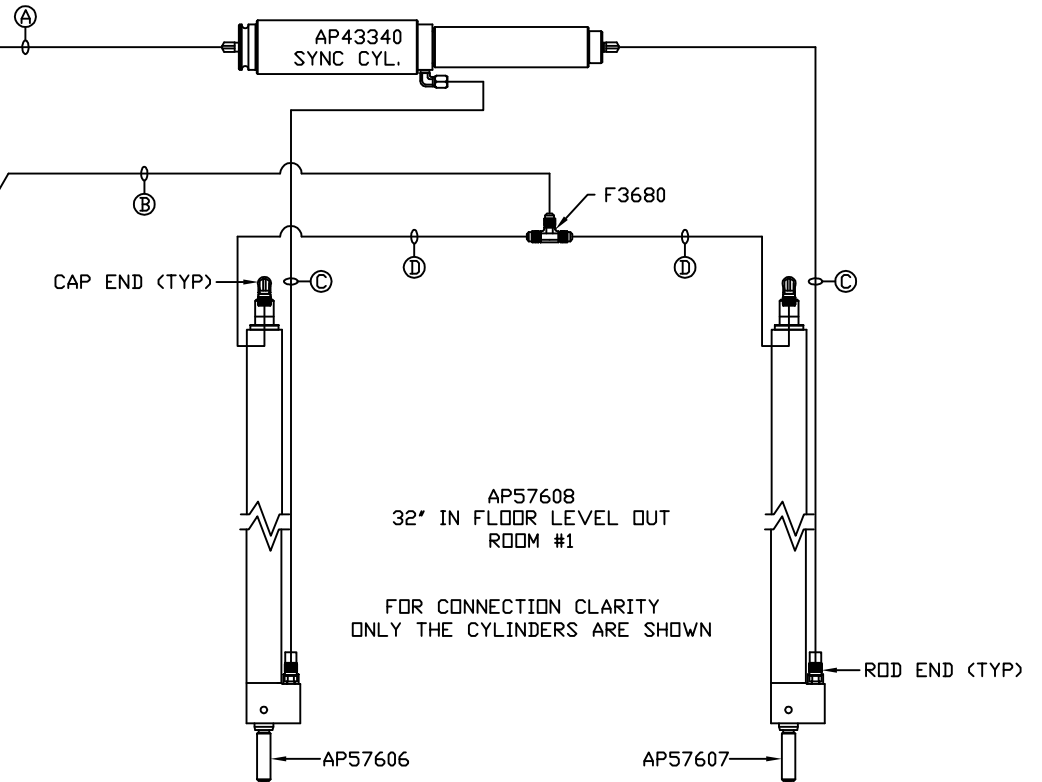
FRONT VIEW
MANIFOLD-B



SIDE VIEW PUMP/MANIFOLD-AP58569

LOCATION AND ORIENTATION OF
PUMP/MANIFOLD ASSEMBLY WILL
DIFFER DEPENDING UPON O.E.M.

NOTE: INSTALLATION MUST CONFORM TO GOOD SHOP PRACTICES, SAE
STANDARDS, RVIA STANDARDS, AND OTHER APPLICABLE STANDARDS.

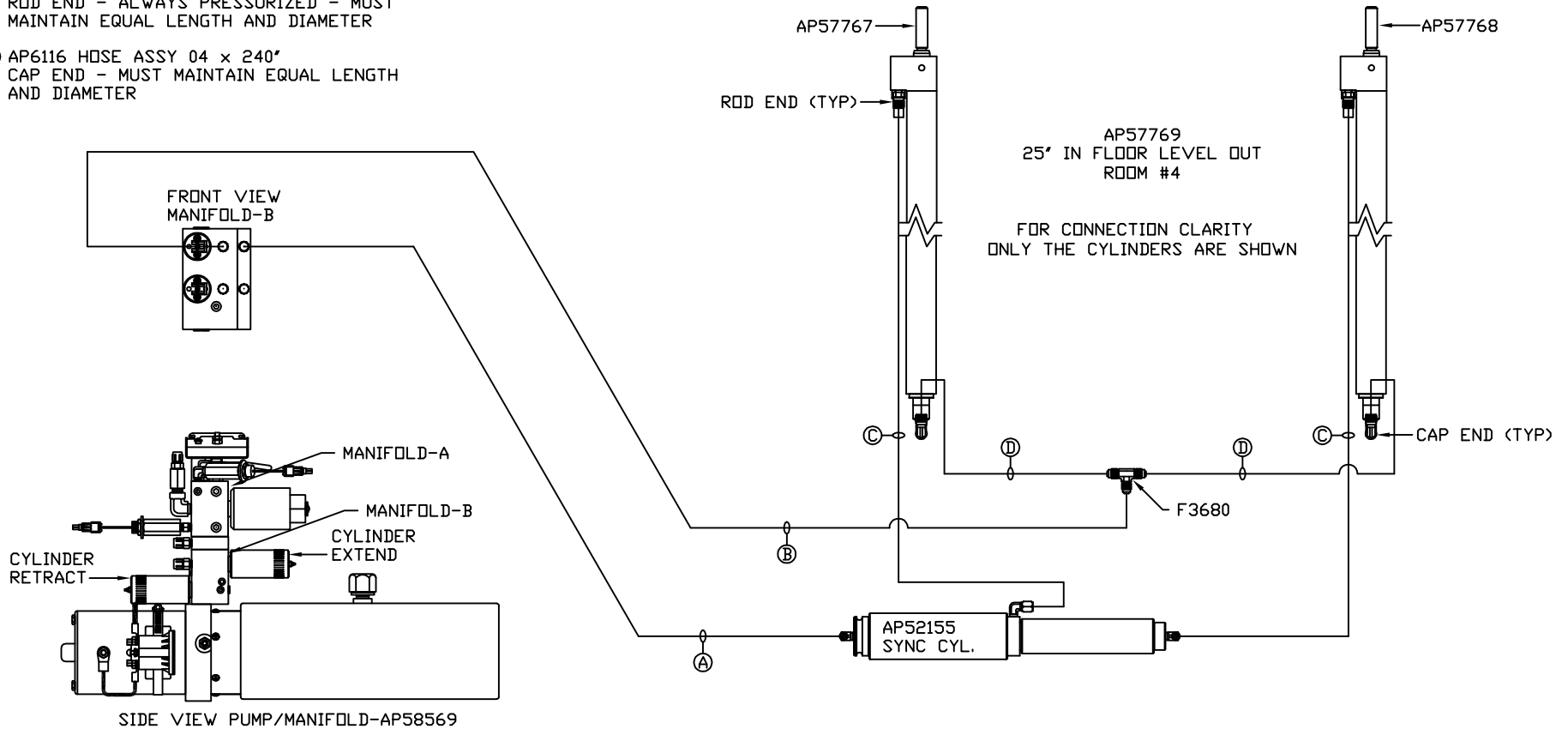


ORIENTATION

← FRONT

⚠ BEFORE 10/16/18 - 25' KIT - AP52149 - AP53177
AP53178

- Ⓐ AP5352 HOSE ASSY 04 x 96'
WAS AP4073 HOSE ASSY 04 x 60'
ROD END - ALWAYS PRESSURIZED
- Ⓑ AP10566 HOSE ASSY 04 x 102'
WAS AP4159 HOSE ASSY 04 x 72'
CAP END
- Ⓒ AP49247 HOSE ASSY 03 x 240'
ROD END - ALWAYS PRESSURIZED - MUST
MAINTAIN EQUAL LENGTH AND DIAMETER
- Ⓓ AP6116 HOSE ASSY 04 x 240'
CAP END - MUST MAINTAIN EQUAL LENGTH
AND DIAMETER



SIDE VIEW PUMP/MANIFOLD-AP58569

LOCATION AND ORIENTATION OF
PUMP/MANIFOLD ASSEMBLY WILL
DIFFER DEPENDING UPON O.E.M.

NOTE: INSTALLATION MUST CONFORM TO GOOD SHOP PRACTICES, SAE
STANDARDS, RVIA STANDARDS, AND OTHER APPLICABLE STANDARDS.

MP71148 C/C
29OCT19