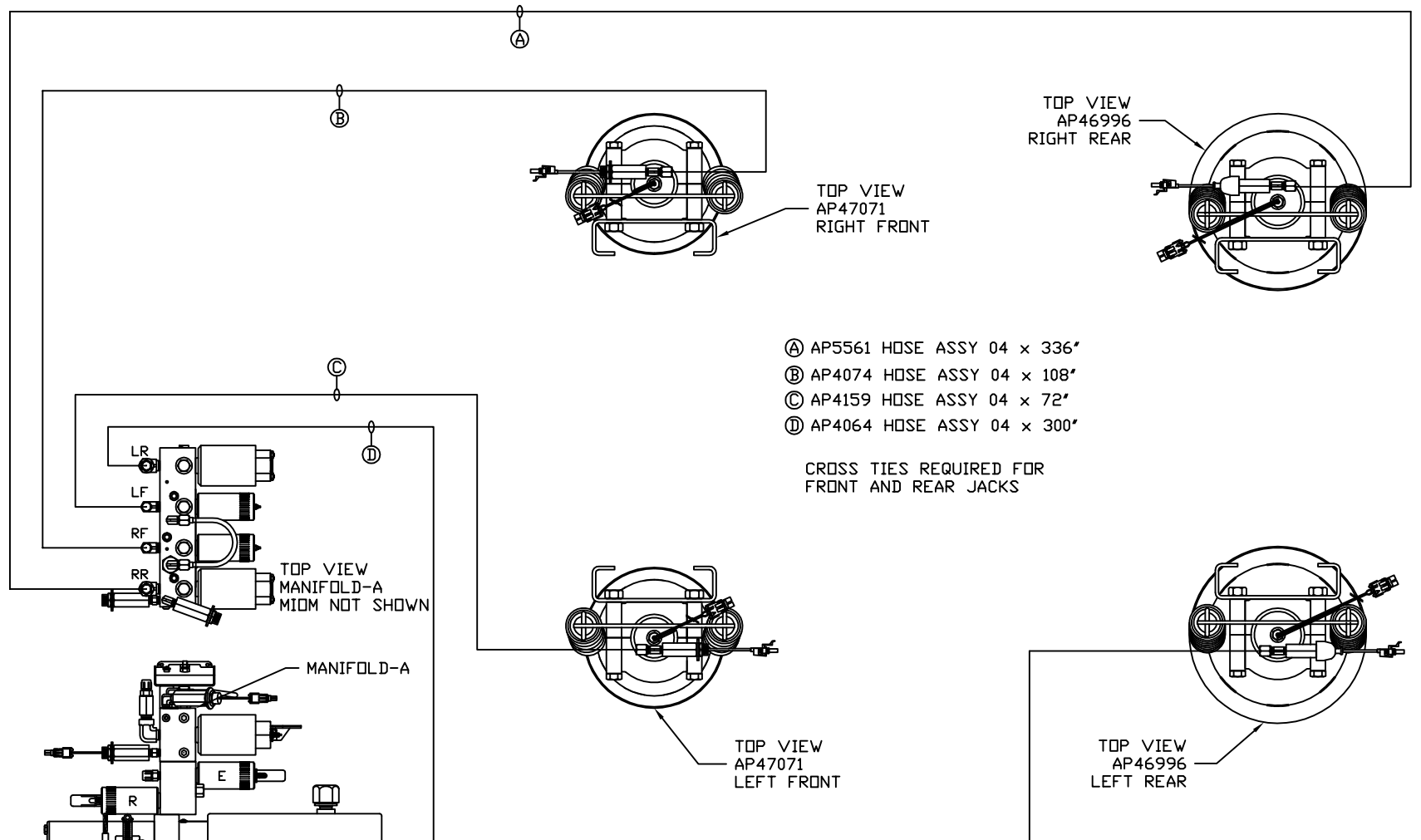
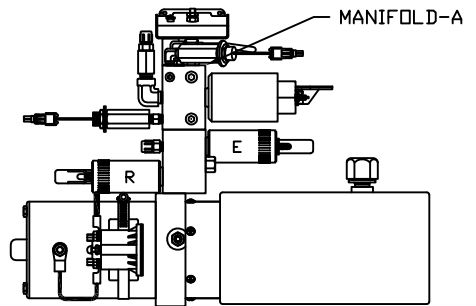


ORIENTATION
← FRONT



- Ⓐ AP5561 HOSE ASSY 04 x 336'
- Ⓑ AP4074 HOSE ASSY 04 x 108'
- Ⓒ AP4159 HOSE ASSY 04 x 72'
- Ⓓ AP4064 HOSE ASSY 04 x 300'

CROSS TIES REQUIRED FOR FRONT AND REAR JACKS



SIDE VIEW PUMP/MANIFOLD-AP58573

LOCATION AND ORIENTATION OF PUMP/MANIFOLD ASSEMBLY WILL DIFFER DEPENDING UPON O.E.M.

NOTE: INSTALLATION MUST CONFORM TO GOOD SHOP PRACTICES, SAE STANDARDS, RVIA STANDARDS, AND OTHER APPLICABLE STANDARDS.

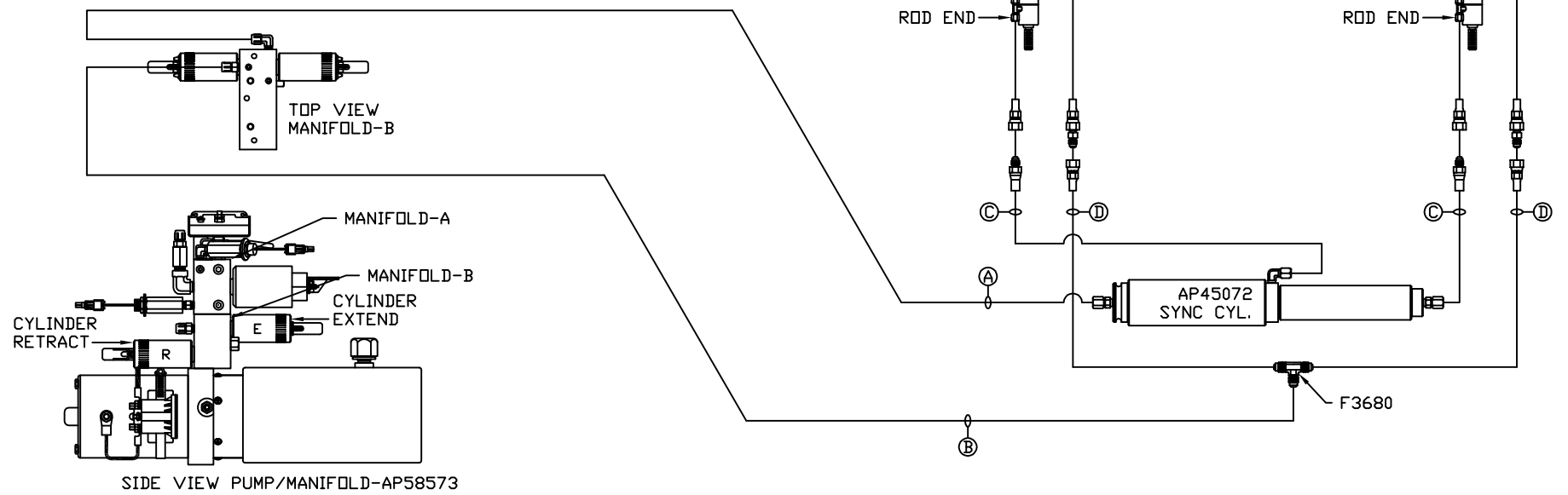
NO.	DATE	REVISION

SYNC KIT: AP53365
JACK KIT: AP58571

THE INFORMATION DISCLOSED ON THIS DRAWING IS CONFIDENTIAL AND MUST NOT BE DISCLOSED OR USED IN ANY MANNER WHICH WILL BE DETRIMENTAL TO THE HWH CORPORATION

HWH			I-80 EXIT 267 SOUTH RT 1 MOSCOW, IOWA 52760		
SCALE 1:6	DATE 15FEB18	DRAWN BY .			
HYD CONN DIAGRAM					
TIFFIN				DRAWING NUMBER MP71150 A/B	

- Ⓐ AP5352 HOSE ASSY 04 × 96'
ROD END - ALWAYS PRESSURIZED
- Ⓑ AP4159 HOSE ASSY 04 × 72'
CAP END
- Ⓒ AP50993 HOSE ASSY 03 × 228' MF
ROD END - ALWAYS PRESSURIZED - MUST
MAINTAIN EQUAL LENGTH AND DIAMETER
- Ⓓ AP5924 HOSE ASSY 04 × 228'
CAP END - MUST MAINTAIN EQUAL LENGTH
AND DIAMETER



LOCATION AND ORIENTATION OF
PUMP/MANIFOLD ASSEMBLY WILL
DIFFER DEPENDING UPON O.E.M.

NOTE: INSTALLATION MUST CONFORM TO GOOD SHOP PRACTICES, SAE
STANDARDS, RVIA STANDARDS, AND OTHER APPLICABLE STANDARDS.

MP71150 B/B
15FEB18