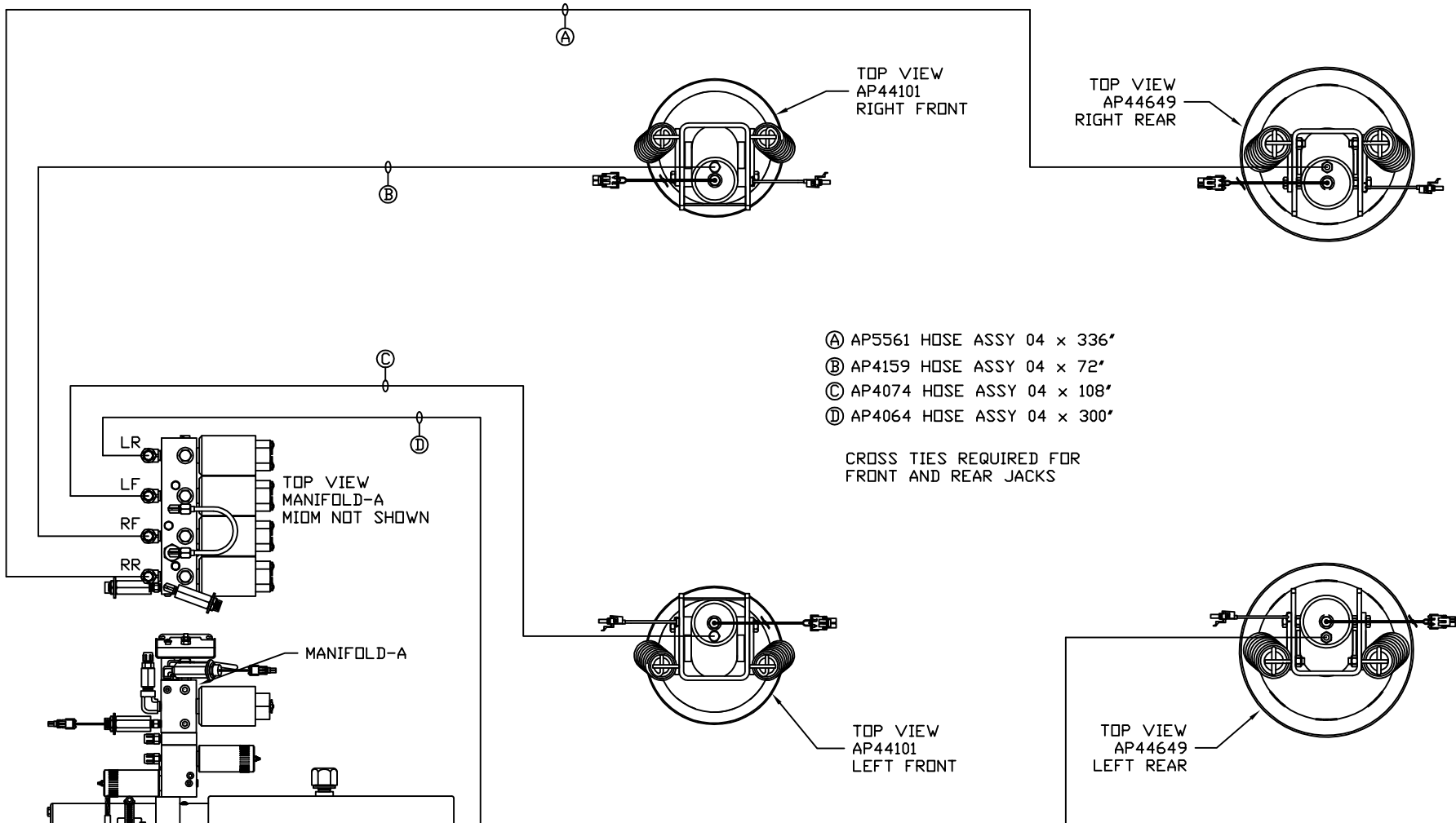
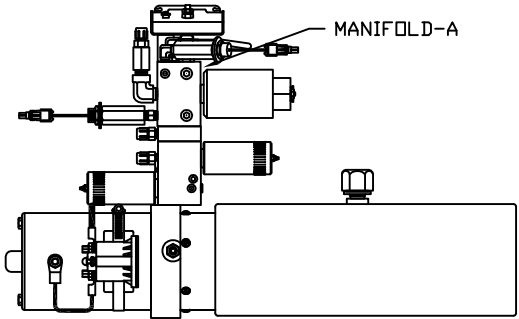


ORIENTATION  
← FRONT



- (A) AP5561 HOSE ASSY 04 x 336"
- (B) AP4159 HOSE ASSY 04 x 72"
- (C) AP4074 HOSE ASSY 04 x 108"
- (D) AP4064 HOSE ASSY 04 x 300"

CROSS TIES REQUIRED FOR FRONT AND REAR JACKS



SIDE VIEW PUMP/MANIFOLD-AP58569

LOCATION AND ORIENTATION OF PUMP/MANIFOLD ASSEMBLY WILL DIFFER DEPENDING UPON O.E.M.

NOTE: INSTALLATION MUST CONFORM TO GOOD SHOP PRACTICES, SAE STANDARDS, RVIA STANDARDS, AND OTHER APPLICABLE STANDARDS.

NO.	DATE	REVISION

SYNC KIT: AP53367	NO.	DATE	REVISION
PUMP KIT: AP58567	THE INFORMATION DISCLOSED ON THIS DRAWING IS CONFIDENTIAL AND MUST NOT BE DISCLOSED OR USED IN ANY MANNER WHICH WILL BE DETRIMENTAL TO THE HWH CORPORATION		
JACK KIT: AP58595			

**HWH** I-80 EXIT 267 SOUTH  
RT 1 MOSCOW, IOWA 52760

SCALE 1:6    DATE 16FEB18    DRAWN BY .

**HYD CONN DIAGRAM**

**TIFFIN**

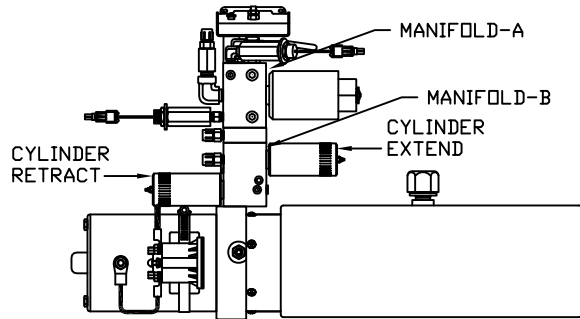
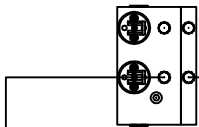
DRAWING NUMBER  
MP71151 A/C

**ORIENTATION**

← FRONT

- Ⓐ AP1412 HOSE ASSY 04 × 84"  
ROD END - ALWAYS PRESSURIZED
- Ⓑ AP5352 HOSE ASSY 04 × 96"  
CAP END
- Ⓒ AP49517 HOSE ASSY 03 × 180"  
ROD END - ALWAYS PRESSURIZED - MUST  
MAINTAIN EQUAL LENGTH AND DIAMETER
- Ⓓ AP10913 HOSE ASSY 04 × 162"  
CAP END - MUST MAINTAIN EQUAL LENGTH  
AND DIAMETER

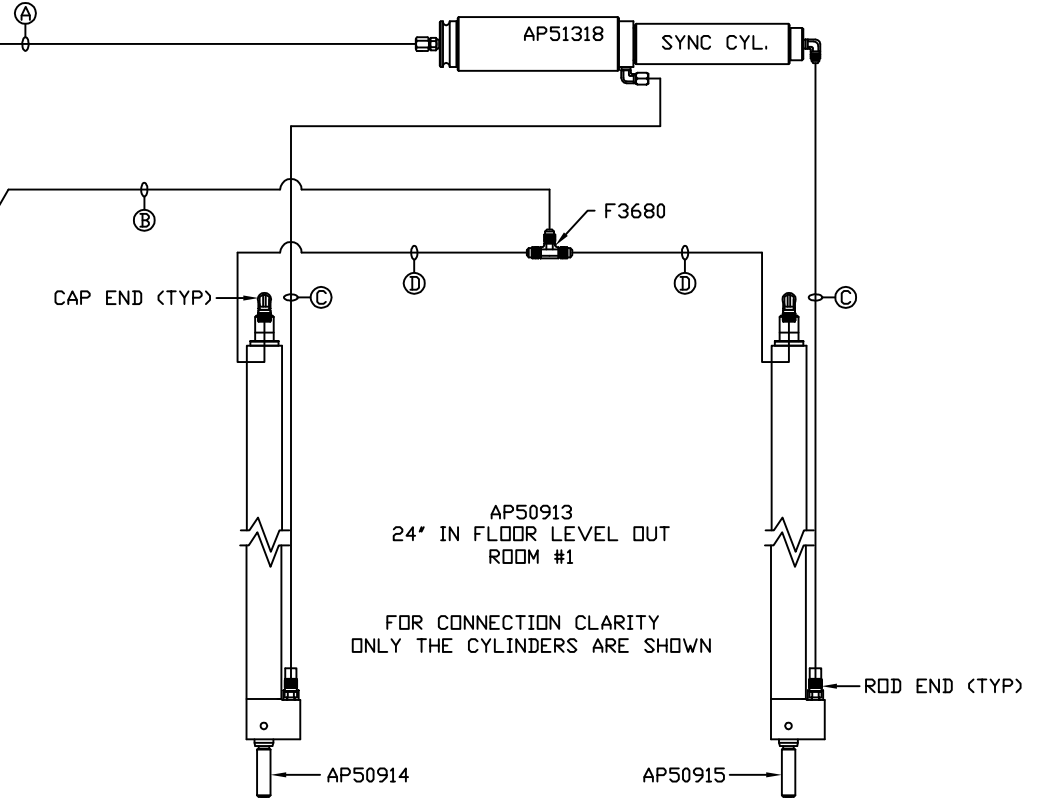
FRONT VIEW  
MANIFOLD-B



SIDE VIEW PUMP/MANIFOLD-AP58569

LOCATION AND ORIENTATION OF  
PUMP/MANIFOLD ASSEMBLY WILL  
DIFFER DEPENDING UPON O.E.M.

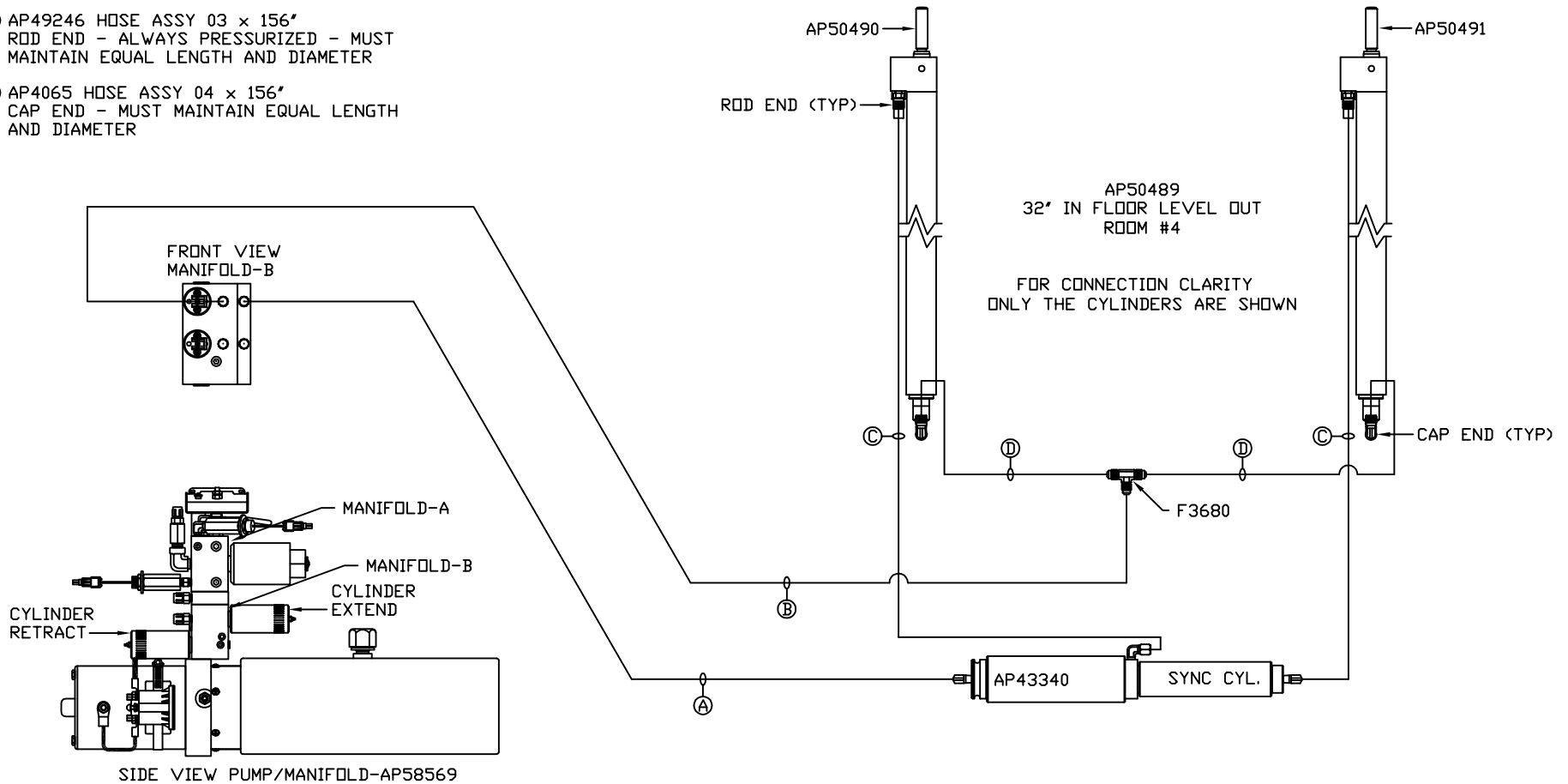
NOTE: INSTALLATION MUST CONFORM TO GOOD SHOP PRACTICES, SAE  
STANDARDS, RVIA STANDARDS, AND OTHER APPLICABLE STANDARDS.



**ORIENTATION**

← FRONT

- Ⓐ AP4159 HOSE ASSY 04 × 72'  
ROD END - ALWAYS PRESSURIZED
- Ⓑ AP5215 HOSE ASSY 04 × 78'  
CAP END
- Ⓒ AP49246 HOSE ASSY 03 × 156'  
ROD END - ALWAYS PRESSURIZED - MUST  
MAINTAIN EQUAL LENGTH AND DIAMETER
- Ⓓ AP4065 HOSE ASSY 04 × 156'  
CAP END - MUST MAINTAIN EQUAL LENGTH  
AND DIAMETER



SIDE VIEW PUMP/MANIFOLD-AP58569

LOCATION AND ORIENTATION OF  
PUMP/MANIFOLD ASSEMBLY WILL  
DIFFER DEPENDING UPON O.E.M.

NOTE: INSTALLATION MUST CONFORM TO GOOD SHOP PRACTICES, SAE  
STANDARDS, RVIA STANDARDS, AND OTHER APPLICABLE STANDARDS.