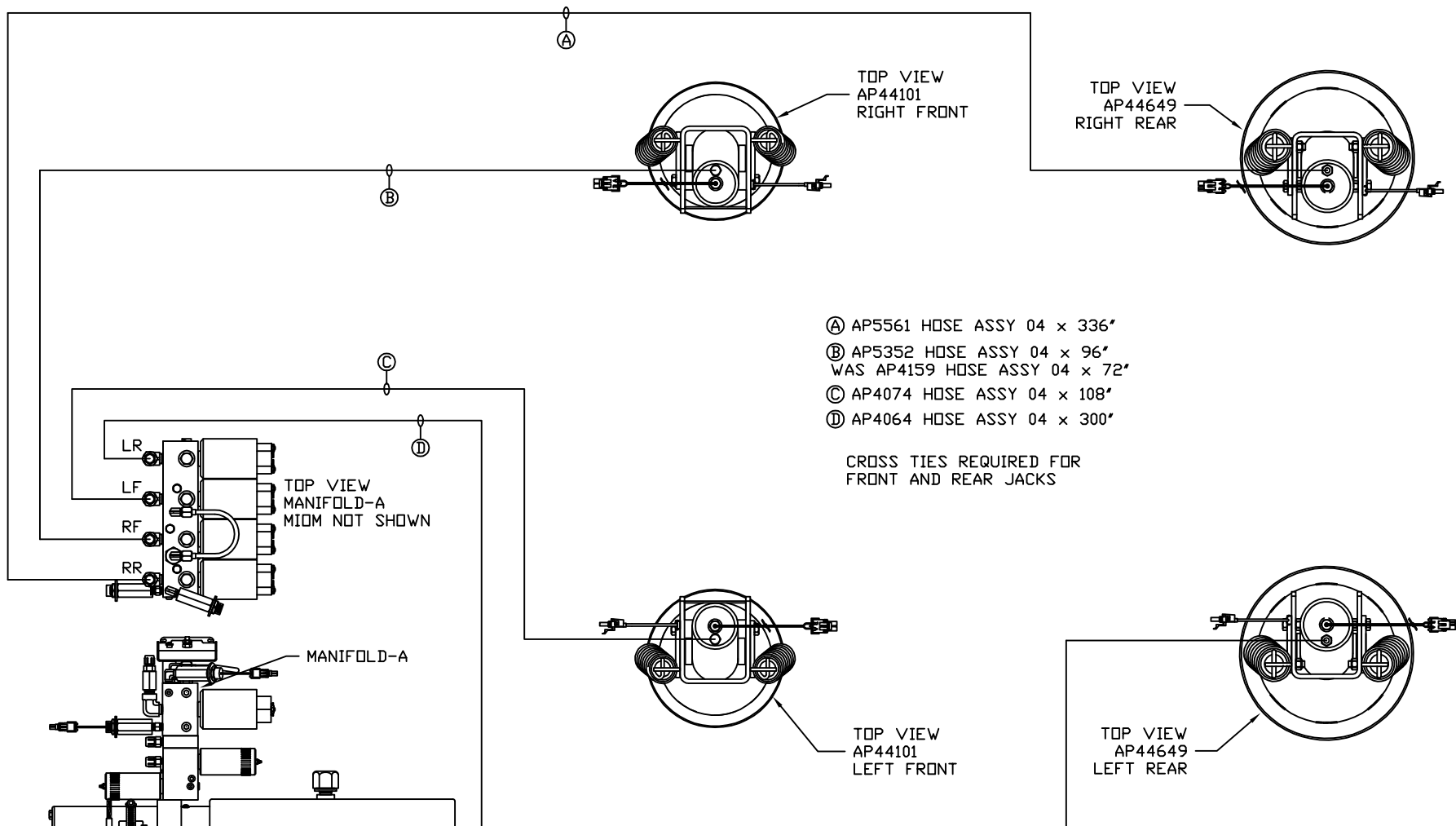
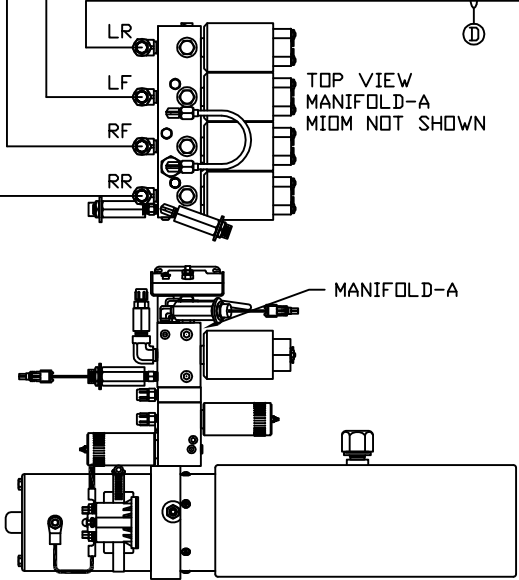


ORIENTATION
← FRONT



- Ⓐ AP5561 HOSE ASSY 04 x 336'
- Ⓑ AP5352 HOSE ASSY 04 x 96'
WAS AP4159 HOSE ASSY 04 x 72'
- Ⓒ AP4074 HOSE ASSY 04 x 108'
- Ⓓ AP4064 HOSE ASSY 04 x 300'

CROSS TIES REQUIRED FOR FRONT AND REAR JACKS



SIDE VIEW PUMP/MANIFOLD-AP58569

LOCATION AND ORIENTATION OF PUMP/MANIFOLD ASSEMBLY WILL DIFFER DEPENDING UPON O.E.M.

NOTE: INSTALLATION MUST CONFORM TO GOOD SHOP PRACTICES, SAE STANDARDS, RVIA STANDARDS, AND OTHER APPLICABLE STANDARDS.

NO.	DATE	REVISION
1	19JUL19	UPDATED HOSES
SYNC KIT: AP57720 PUMP KIT: AP58567 JACK KIT: AP58595		
THE INFORMATION DISCLOSED ON THIS DRAWING IS CONFIDENTIAL AND MUST NOT BE DISCLOSED OR USED IN ANY MANNER WHICH WILL BE DETRIMENTAL TO THE HWH CORPORATION		

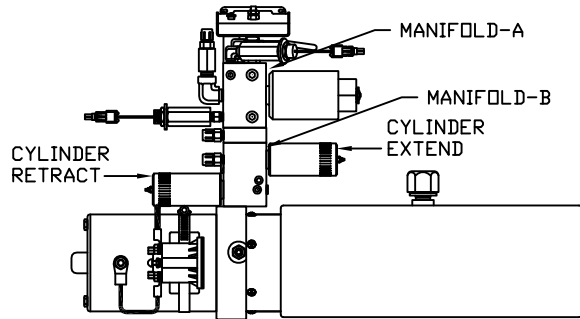
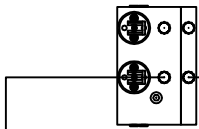
HWH I-80 EXIT 267 SOUTH RT 1 MOSCOW, IOWA 52760		
SCALE 1:6	DATE 16FEB18	DRAWN BY .
HYD CONN DIAGRAM		
TIFFIN		DRAWING NUMBER MP71152 A/C

ORIENTATION

← FRONT

- Ⓐ AP10566 HOSE ASSY 04 x 102"
WAS AP1412 HOSE ASSY 04 x 84"
ROD END - ALWAYS PRESSURIZED
- Ⓑ AP5352 HOSE ASSY 04 x 96"
CAP END
- Ⓒ AP50261 HOSE ASSY 03 x 168"
ROD END - ALWAYS PRESSURIZED - MUST
MAINTAIN EQUAL LENGTH AND DIAMETER
- Ⓓ AP10913 HOSE ASSY 04 x 162"
CAP END - MUST MAINTAIN EQUAL LENGTH
AND DIAMETER

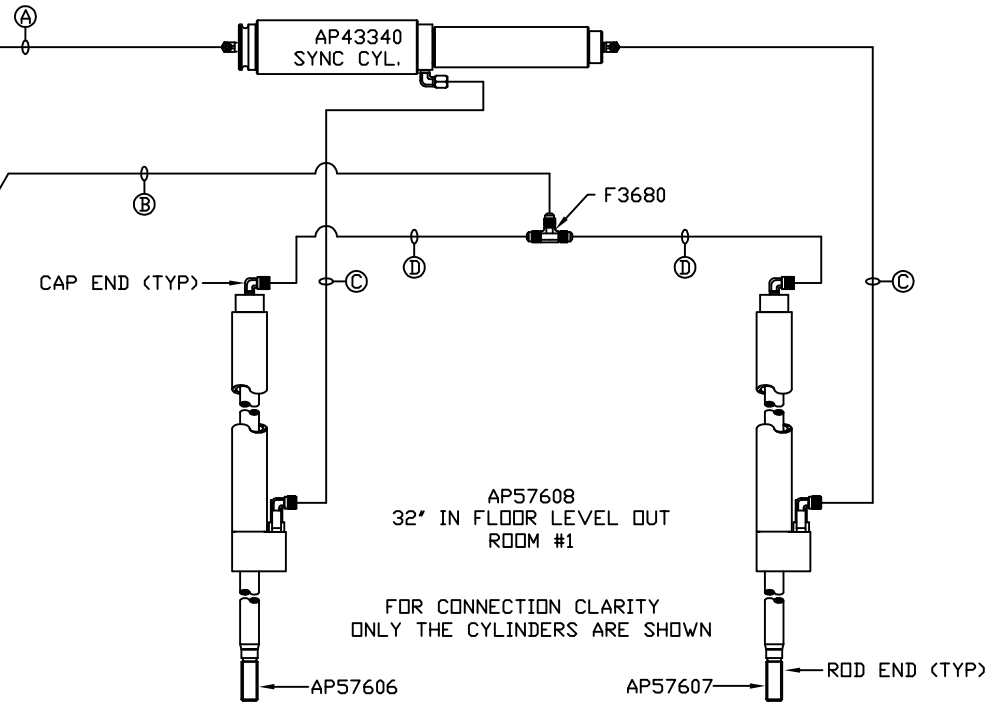
FRONT VIEW
MANIFOLD-B



SIDE VIEW PUMP/MANIFOLD-AP58569

LOCATION AND ORIENTATION OF
PUMP/MANIFOLD ASSEMBLY WILL
DIFFER DEPENDING UPON O.E.M.

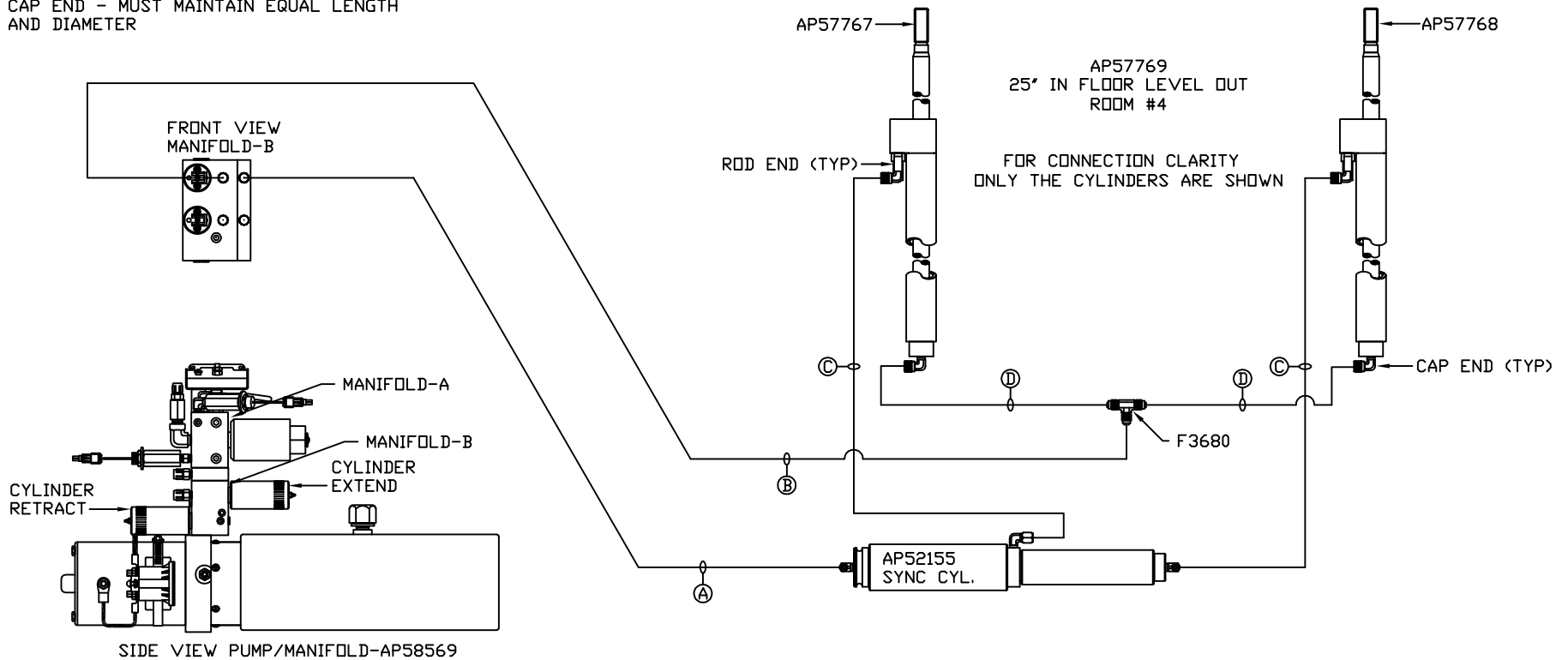
NOTE: INSTALLATION MUST CONFORM TO GOOD SHOP PRACTICES, SAE
STANDARDS, RVIA STANDARDS, AND OTHER APPLICABLE STANDARDS.



ORIENTATION

← FRONT

- Ⓐ AP4074 HOSE ASSY 04 × 108"
WAS AP4159 HOSE ASSY 04 × 72"
ROD END - ALWAYS PRESSURIZED
- Ⓑ AP53964 HOSE ASSY 04 × 114"
WAS AP5215 HOSE ASSY 04 × 78"
CAP END
- Ⓒ AP51638 HOSE ASSY 03 × 300"
ROD END - ALWAYS PRESSURIZED - MUST
MAINTAIN EQUAL LENGTH AND DIAMETER
- Ⓓ AP5216 HOSE ASSY 04 × 312"
CAP END - MUST MAINTAIN EQUAL LENGTH
AND DIAMETER



SIDE VIEW PUMP/MANIFOLD-AP58569

LOCATION AND ORIENTATION OF
PUMP/MANIFOLD ASSEMBLY WILL
DIFFER DEPENDING UPON O.E.M.

NOTE: INSTALLATION MUST CONFORM TO GOOD SHOP PRACTICES, SAE
STANDARDS, RVIA STANDARDS, AND OTHER APPLICABLE STANDARDS.