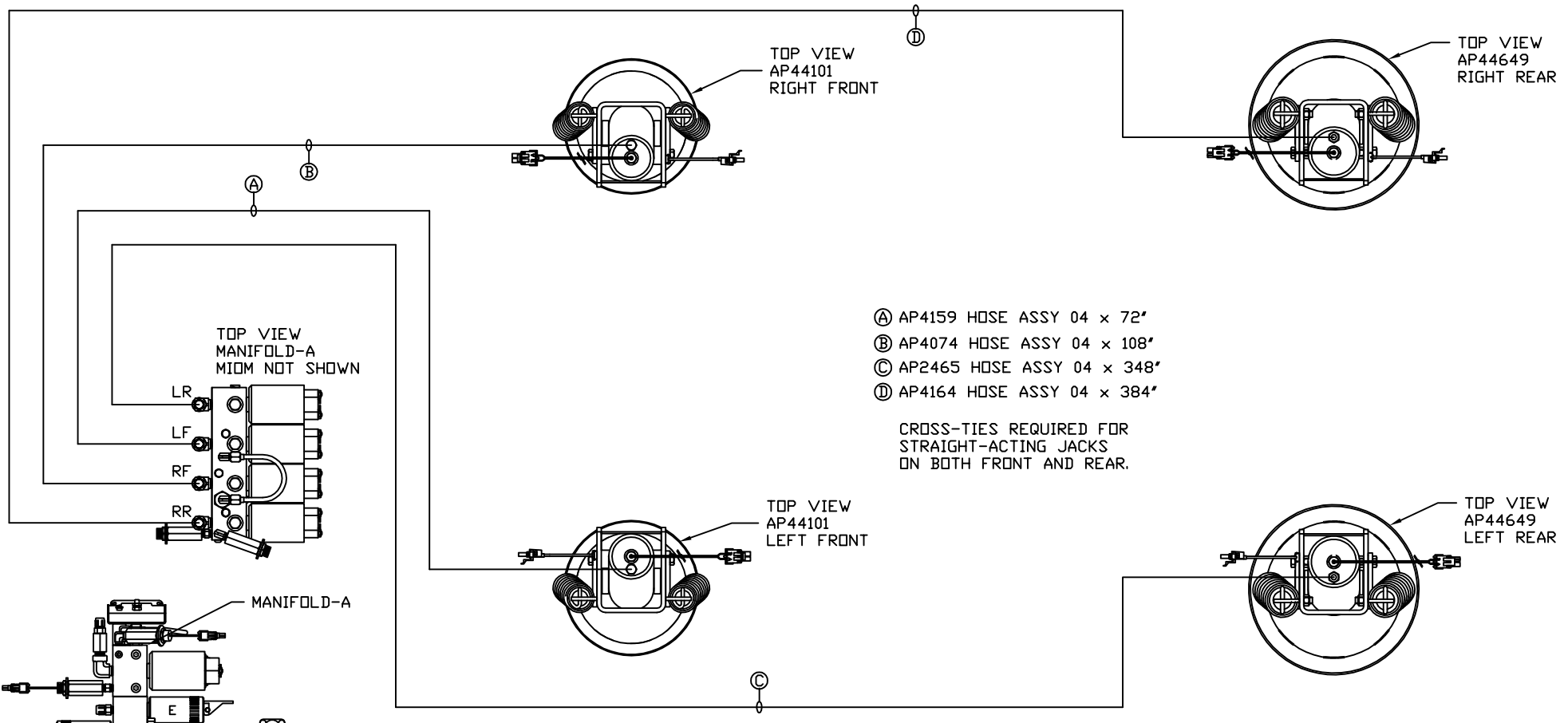
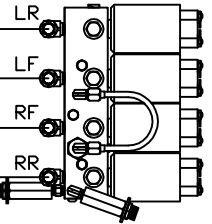


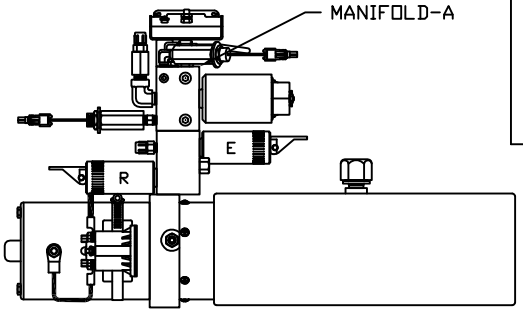
ORIENTATION
← FRONT



TOP VIEW
MANIFOLD-A
MIDM NOT SHOWN



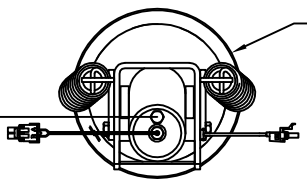
MANIFOLD-A



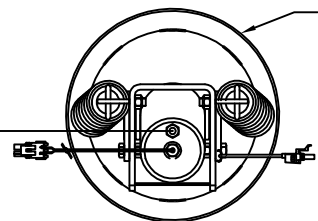
SIDE VIEW PUMP/MANIFOLD-AP58581

LOCATION AND ORIENTATION OF
PUMP/MANIFOLD ASSEMBLY WILL
DIFFER DEPENDING UPON O.E.M.

TOP VIEW
AP44101
RIGHT FRONT



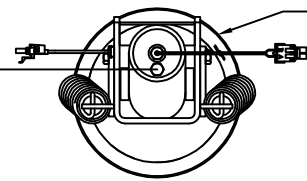
TOP VIEW
AP44649
RIGHT REAR



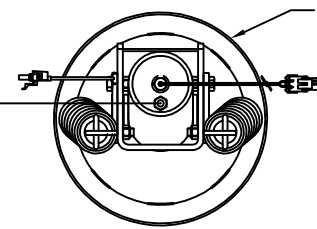
- Ⓐ AP4159 HOSE ASSY 04 x 72'
- Ⓑ AP4074 HOSE ASSY 04 x 108'
- Ⓒ AP2465 HOSE ASSY 04 x 348'
- Ⓓ AP4164 HOSE ASSY 04 x 384'

CROSS-TIES REQUIRED FOR
STRAIGHT-ACTING JACKS
ON BOTH FRONT AND REAR.

TOP VIEW
AP44101
LEFT FRONT



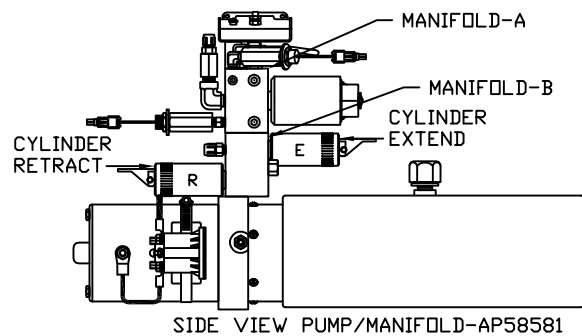
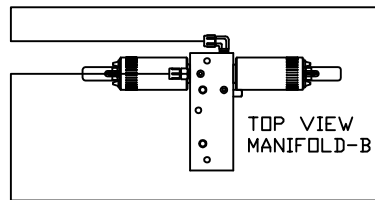
TOP VIEW
AP44649
LEFT REAR



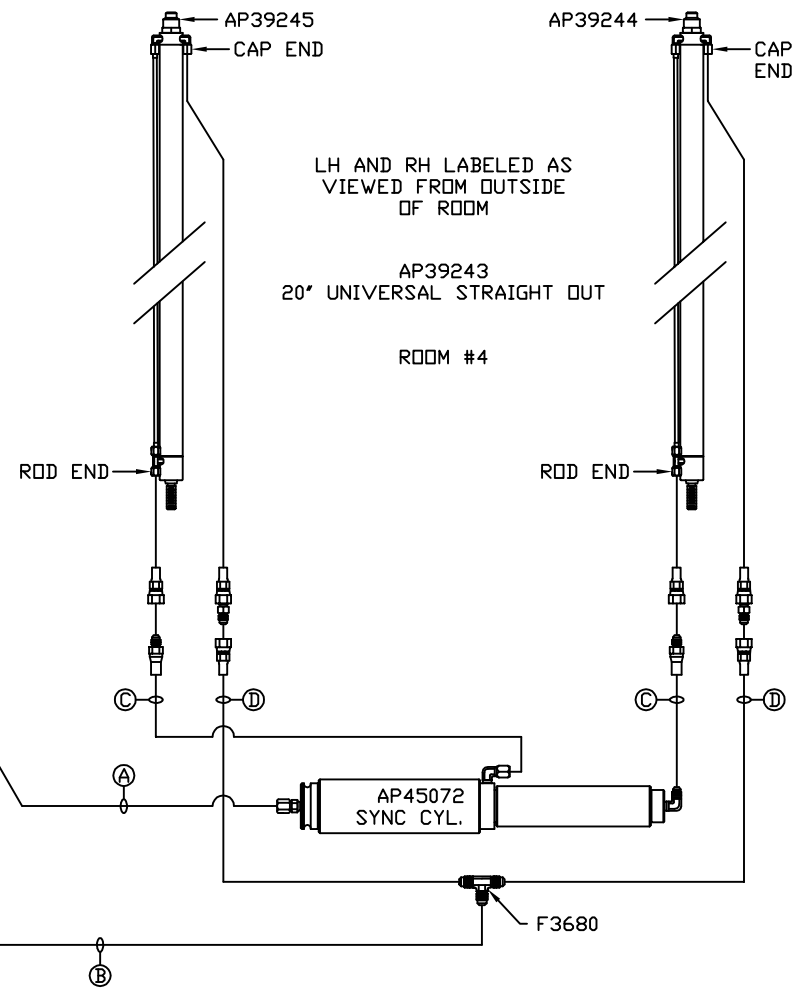
NOTE: INSTALLATION MUST CONFORM TO GOOD SHOP PRACTICES, SAE STANDARDS, RVIA STANDARDS, AND OTHER APPLICABLE STANDARDS.

		HWH I-80 EXIT 267 SOUTH RT 1 MOSCOW, IOWA 52760	
		SCALE 1:6	DATE 16FEB18
		DRAWN BY .	
		HYD CONN DIAGRAM	
SYNC KIT: AP53369	NO.	DATE	REVISION
PUMP KIT: AP58592	THE INFORMATION DISCLOSED ON THIS DRAWING IS CONFIDENTIAL AND MUST NOT BE DISCLOSED OR USED IN ANY MANNER WHICH WILL BE DETRIMENTAL TO THE HWH CORPORATION		
JACK KIT: AP58591	TIFFIN		DRAWING NUMBER MP71153 A/B

- Ⓐ AP5352 HOSE ASSY 04 × 96'
ROD END - ALWAYS PRESSURIZED
- Ⓑ AP4159 HOSE ASSY 04 × 72'
CAP END
- Ⓒ AP50993 HOSE ASSY 03 × 228' MF
ROD END - ALWAYS PRESSURIZED - MUST
MAINTAIN EQUAL LENGTH AND DIAMETER
- Ⓓ AP5924 HOSE ASSY 04 × 228'
CAP END - MUST MAINTAIN EQUAL LENGTH
AND DIAMETER



LOCATION AND ORIENTATION OF
PUMP/MANIFOLD ASSEMBLY WILL
DIFFER DEPENDING UPON O.E.M.



NOTE: INSTALLATION MUST CONFORM TO GOOD SHOP PRACTICES, SAE
STANDARDS, RVIA STANDARDS, AND OTHER APPLICABLE STANDARDS.