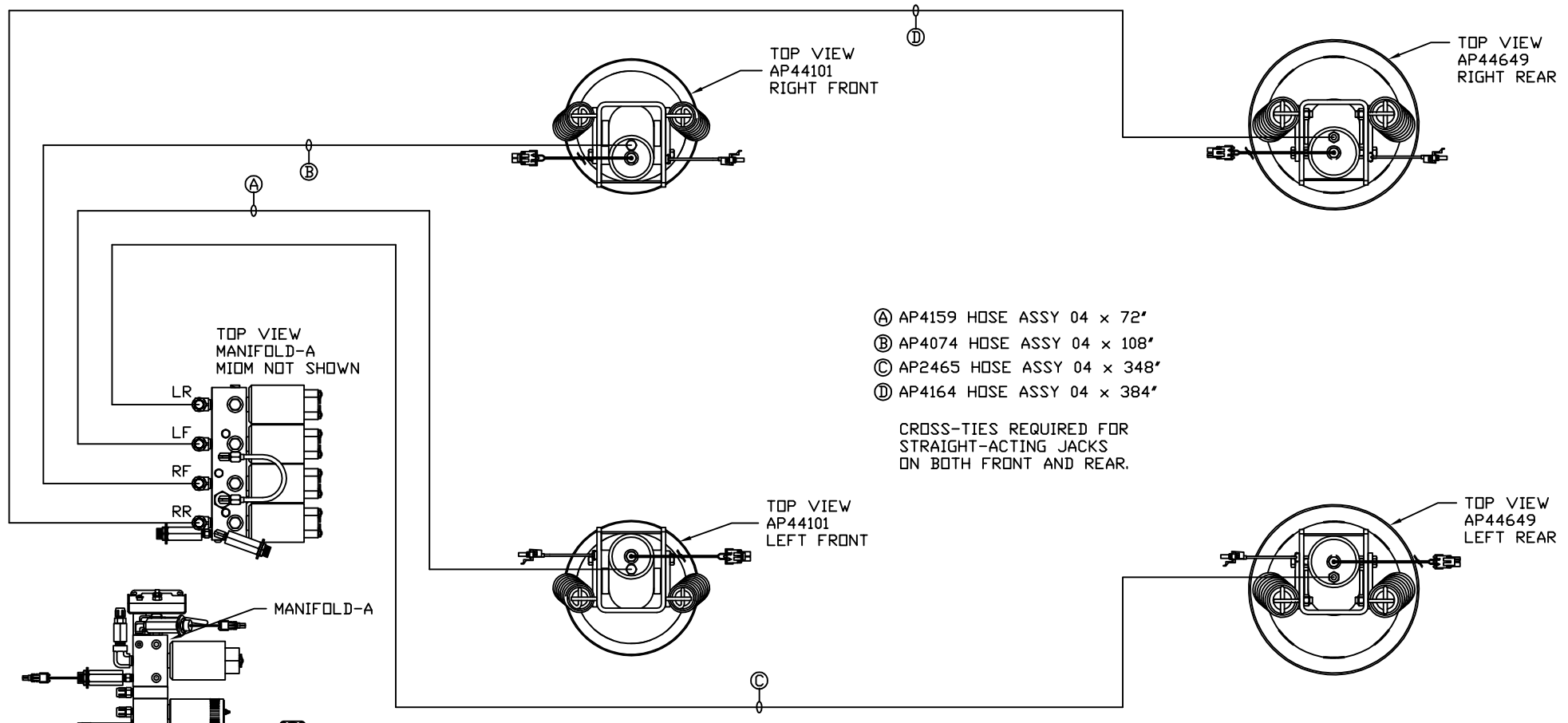
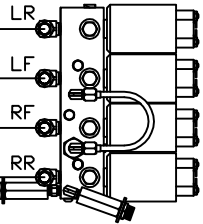


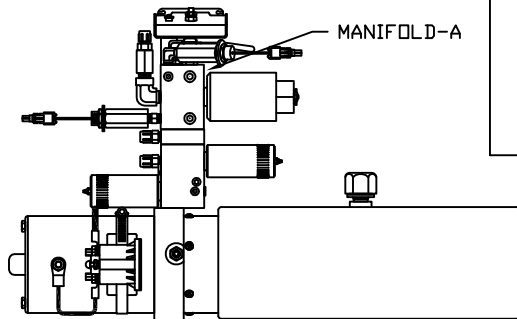
ORIENTATION
← FRONT



TOP VIEW
MANIFOLD-A
MIDM NOT SHOWN



MANIFOLD-A



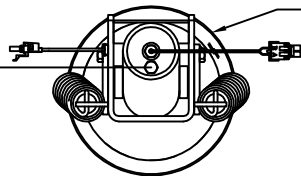
SIDE VIEW PUMP/MANIFOLD-AP58569

LOCATION AND ORIENTATION OF
PUMP/MANIFOLD ASSEMBLY WILL
DIFFER DEPENDING UPON O.E.M.

- Ⓐ AP4159 HOSE ASSY 04 x 72'
- Ⓑ AP4074 HOSE ASSY 04 x 108'
- Ⓒ AP2465 HOSE ASSY 04 x 348'
- Ⓓ AP4164 HOSE ASSY 04 x 384'

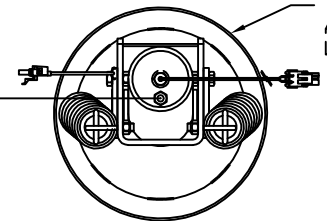
CROSS-TIES REQUIRED FOR
STRAIGHT-ACTING JACKS
ON BOTH FRONT AND REAR.

TOP VIEW
AP44101
LEFT FRONT

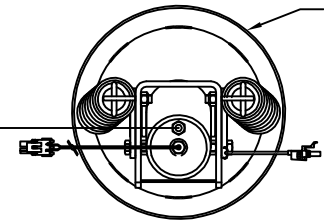


Ⓒ

TOP VIEW
AP44649
LEFT REAR



TOP VIEW
AP44649
RIGHT REAR



HWH I-80 EXIT 267 SOUTH
RT 1 MOSCOW, IOWA 52760
SCALE 1:6 DATE 16FEB18 DRAWN BY .

HYD CONN DIAGRAM

NO.	DATE	REVISION

TIFFIN DRAWING NUMBER
MP71154 A/C

NOTE: INSTALLATION MUST CONFORM TO GOOD SHOP PRACTICES, SAE STANDARDS, RVIA STANDARDS, AND OTHER APPLICABLE STANDARDS.

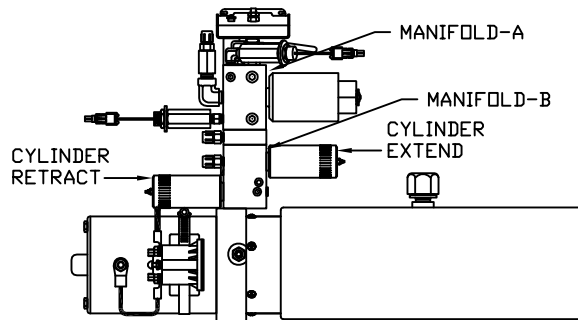
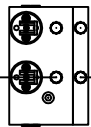
SYNC KIT: AP58231
PUMP KIT: AP58567
JACK KIT: AP58591

THE INFORMATION DISCLOSED ON THIS DRAWING IS CONFIDENTIAL AND MUST NOT BE DISCLOSED OR USED IN ANY MANNER WHICH WILL BE DETRIMENTAL TO THE HWH CORPORATION

ORIENTATION
← FRONT

- Ⓐ AP4159 HOSE ASSY 04 × 72'
ROD END - ALWAYS PRESSURIZED
- Ⓑ AP5215 HOSE ASSY 04 × 78'
CAP END
- Ⓒ AP51635 HOSE ASSY 03 × 216'
ROD END - ALWAYS PRESSURIZED - MUST
MAINTAIN EQUAL LENGTH AND DIAMETER
- Ⓓ AP4061 HOSE ASSY 04 × 216'
CAP END - MUST MAINTAIN EQUAL LENGTH
AND DIAMETER

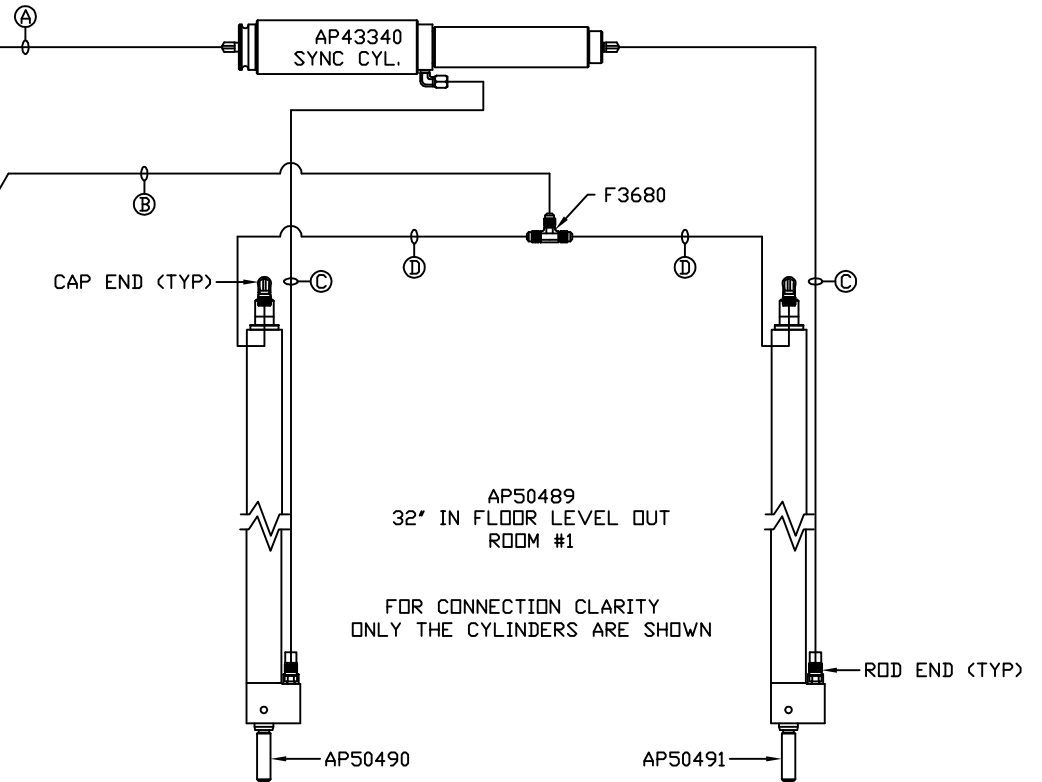
FRONT VIEW
MANIFOLD-B



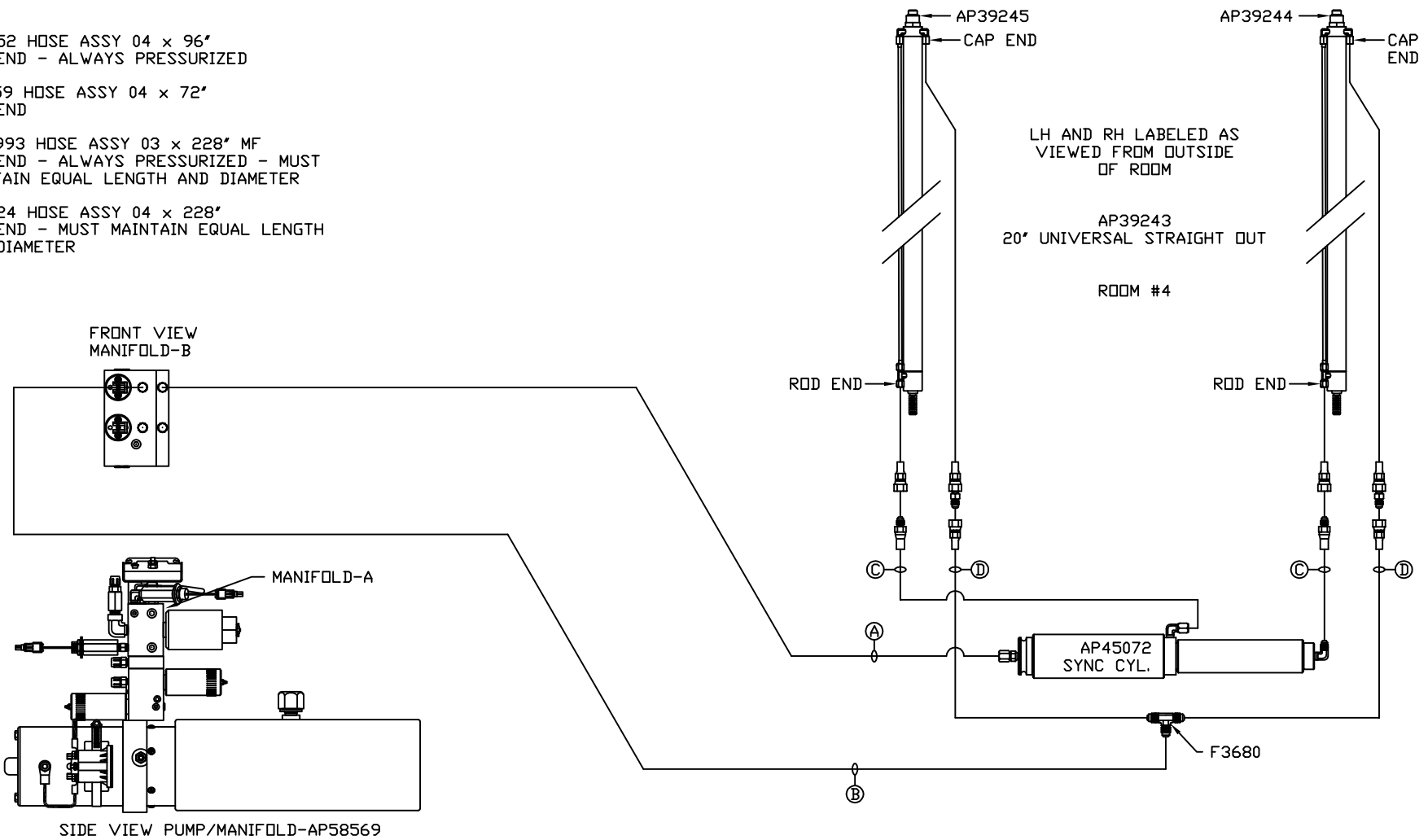
SIDE VIEW PUMP/MANIFOLD-AP58569

LOCATION AND ORIENTATION OF
PUMP/MANIFOLD ASSEMBLY WILL
DIFFER DEPENDING UPON O.E.M.

NOTE: INSTALLATION MUST CONFORM TO GOOD SHOP PRACTICES, SAE
STANDARDS, RVIA STANDARDS, AND OTHER APPLICABLE STANDARDS.



- Ⓐ AP5352 HOSE ASSY 04 x 96'
ROD END - ALWAYS PRESSURIZED
- Ⓑ AP4159 HOSE ASSY 04 x 72'
CAP END
- Ⓒ AP50993 HOSE ASSY 03 x 228' MF
ROD END - ALWAYS PRESSURIZED - MUST
MAINTAIN EQUAL LENGTH AND DIAMETER
- Ⓓ AP5924 HOSE ASSY 04 x 228'
CAP END - MUST MAINTAIN EQUAL LENGTH
AND DIAMETER



LOCATION AND ORIENTATION OF
PUMP/MANIFOLD ASSEMBLY WILL
DIFFER DEPENDING UPON O.E.M.

NOTE: INSTALLATION MUST CONFORM TO GOOD SHOP PRACTICES, SAE
STANDARDS, RVIA STANDARDS, AND OTHER APPLICABLE STANDARDS.

MP71154 C/C
16FEB18