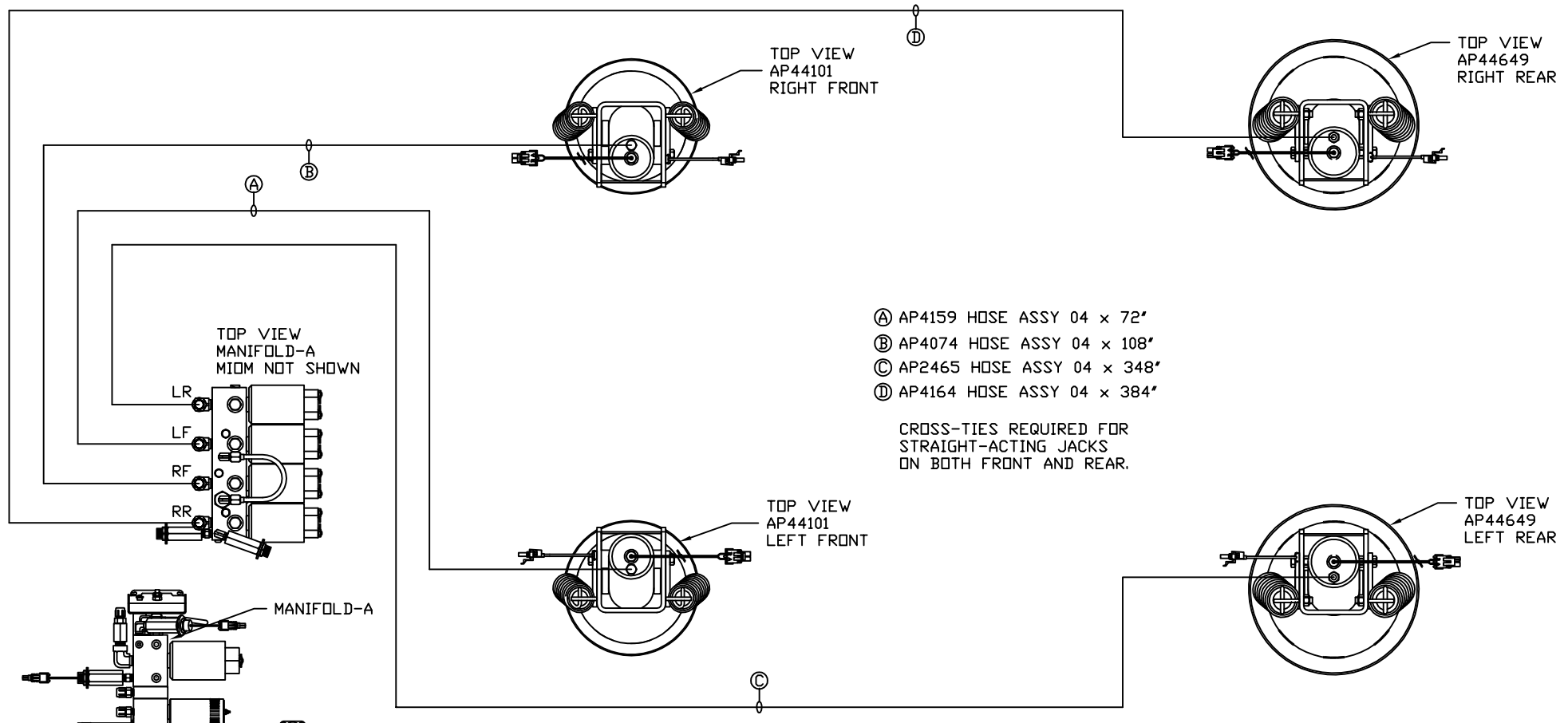
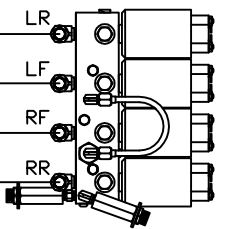


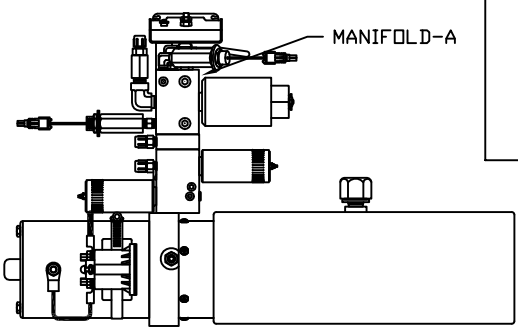
ORIENTATION  
← FRONT



TOP VIEW  
MANIFOLD-A  
MIDM NOT SHOWN



MANIFOLD-A



SIDE VIEW PUMP/MANIFOLD-AP58569

LOCATION AND ORIENTATION OF  
PUMP/MANIFOLD ASSEMBLY WILL  
DIFFER DEPENDING UPON O.E.M.

- Ⓐ AP4159 HOSE ASSY 04 x 72'
- Ⓑ AP4074 HOSE ASSY 04 x 108'
- Ⓒ AP2465 HOSE ASSY 04 x 348'
- Ⓓ AP4164 HOSE ASSY 04 x 384'

CROSS-TIES REQUIRED FOR  
STRAIGHT-ACTING JACKS  
ON BOTH FRONT AND REAR.

NOTE: INSTALLATION MUST CONFORM TO GOOD SHOP PRACTICES, SAE STANDARDS, RVIA STANDARDS, AND OTHER APPLICABLE STANDARDS.

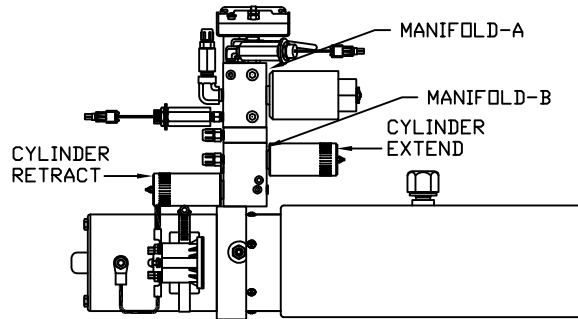
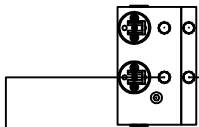
		HWH I-80 EXIT 267 SOUTH RT 1 MOSCOW, IOWA 52760	
		SCALE 1:6	DATE 16FEB18
		DRAWN BY .	
		HYD CONN DIAGRAM	
SYNC KIT: AP53359	NO. 18APR18	CORRECTED ROD / CAP	
PUMP KIT: AP58567	NO.	DATE	REVISION
JACK KIT: AP58591	THE INFORMATION DISCLOSED ON THIS DRAWING IS CONFIDENTIAL AND MUST NOT BE DISCLOSED OR USED IN ANY MANNER WHICH WILL BE DETRIMENTAL TO THE HWH CORPORATION		
		TIFFIN	DRAWING NUMBER MP71155 A/C

**ORIENTATION**

← FRONT

- Ⓐ AP4159 HOSE ASSY 04 × 72'  
ROD END - ALWAYS PRESSURIZED
- Ⓑ AP5215 HOSE ASSY 04 × 78'  
CAP END
- Ⓒ AP49246 HOSE ASSY 03 × 156'  
ROD END - ALWAYS PRESSURIZED - MUST  
MAINTAIN EQUAL LENGTH AND DIAMETER
- Ⓓ AP4065 HOSE ASSY 04 × 156'  
CAP END - MUST MAINTAIN EQUAL LENGTH  
AND DIAMETER

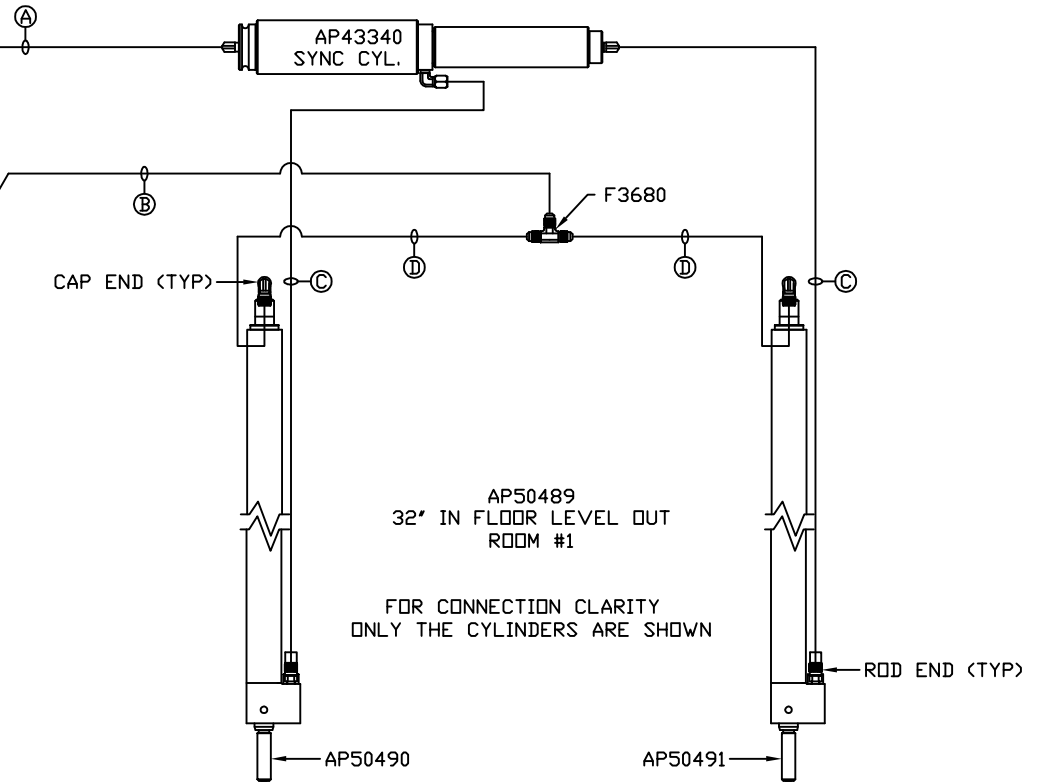
FRONT VIEW  
MANIFOLD-B



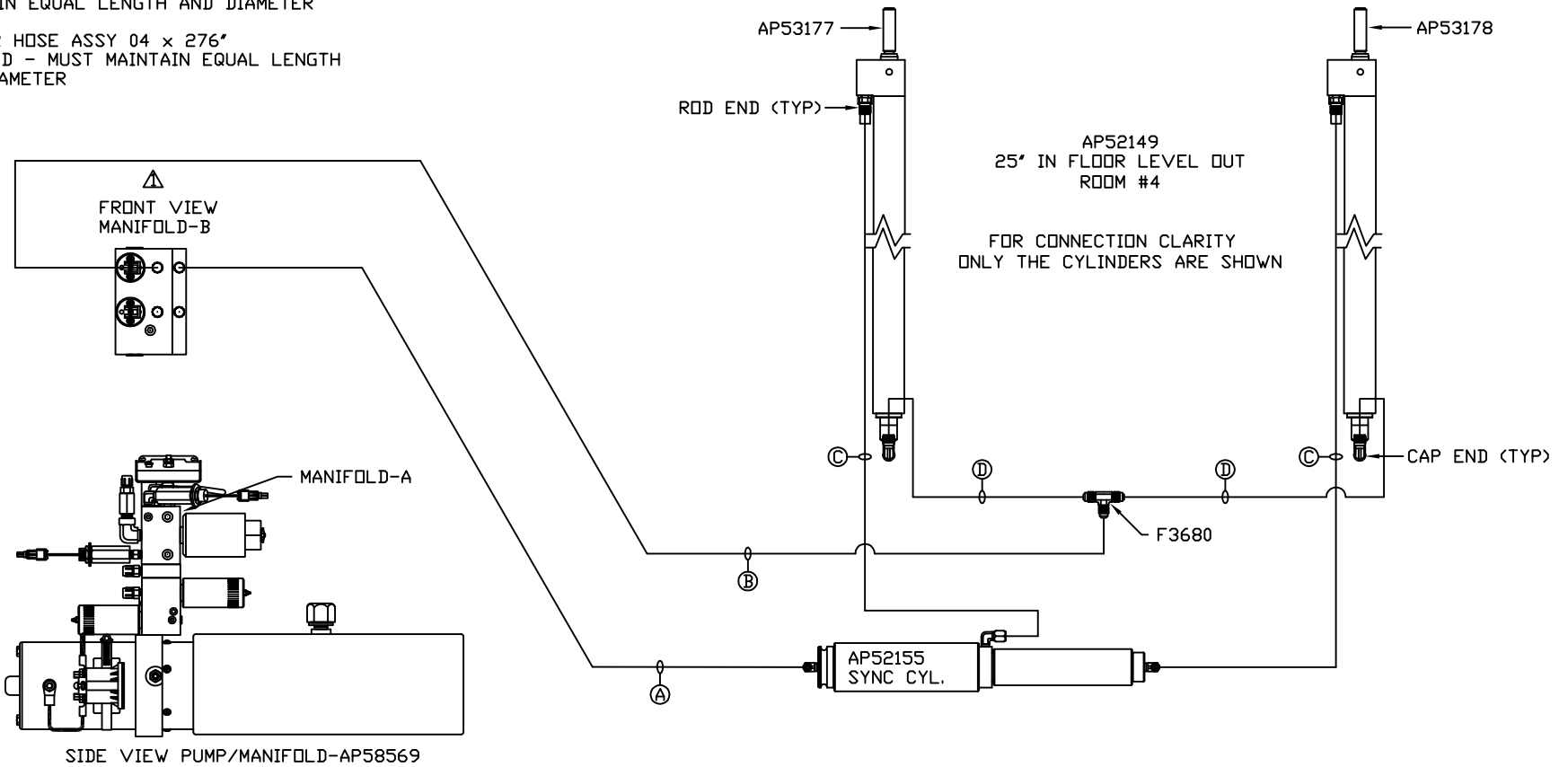
SIDE VIEW PUMP/MANIFOLD-AP58569

LOCATION AND ORIENTATION OF  
PUMP/MANIFOLD ASSEMBLY WILL  
DIFFER DEPENDING UPON O.E.M.

NOTE: INSTALLATION MUST CONFORM TO GOOD SHOP PRACTICES, SAE  
STANDARDS, RVIA STANDARDS, AND OTHER APPLICABLE STANDARDS.



- Ⓐ AP1412 HOSE ASSY 04 × 84"  
ROD END - ALWAYS PRESSURIZED
- Ⓑ AP5352 HOSE ASSY 04 × 96"  
CAP END
- Ⓒ AP53067 HOSE ASSY 03 × 276"  
ROD END - ALWAYS PRESSURIZED - MUST  
MAINTAIN EQUAL LENGTH AND DIAMETER
- Ⓓ AP5562 HOSE ASSY 04 × 276"  
CAP END - MUST MAINTAIN EQUAL LENGTH  
AND DIAMETER



LOCATION AND ORIENTATION OF  
PUMP/MANIFOLD ASSEMBLY WILL  
DIFFER DEPENDING UPON O.E.M.

NOTE: INSTALLATION MUST CONFORM TO GOOD SHOP PRACTICES, SAE  
STANDARDS, RVIA STANDARDS, AND OTHER APPLICABLE STANDARDS.

MP71155 C/C  
18APR18