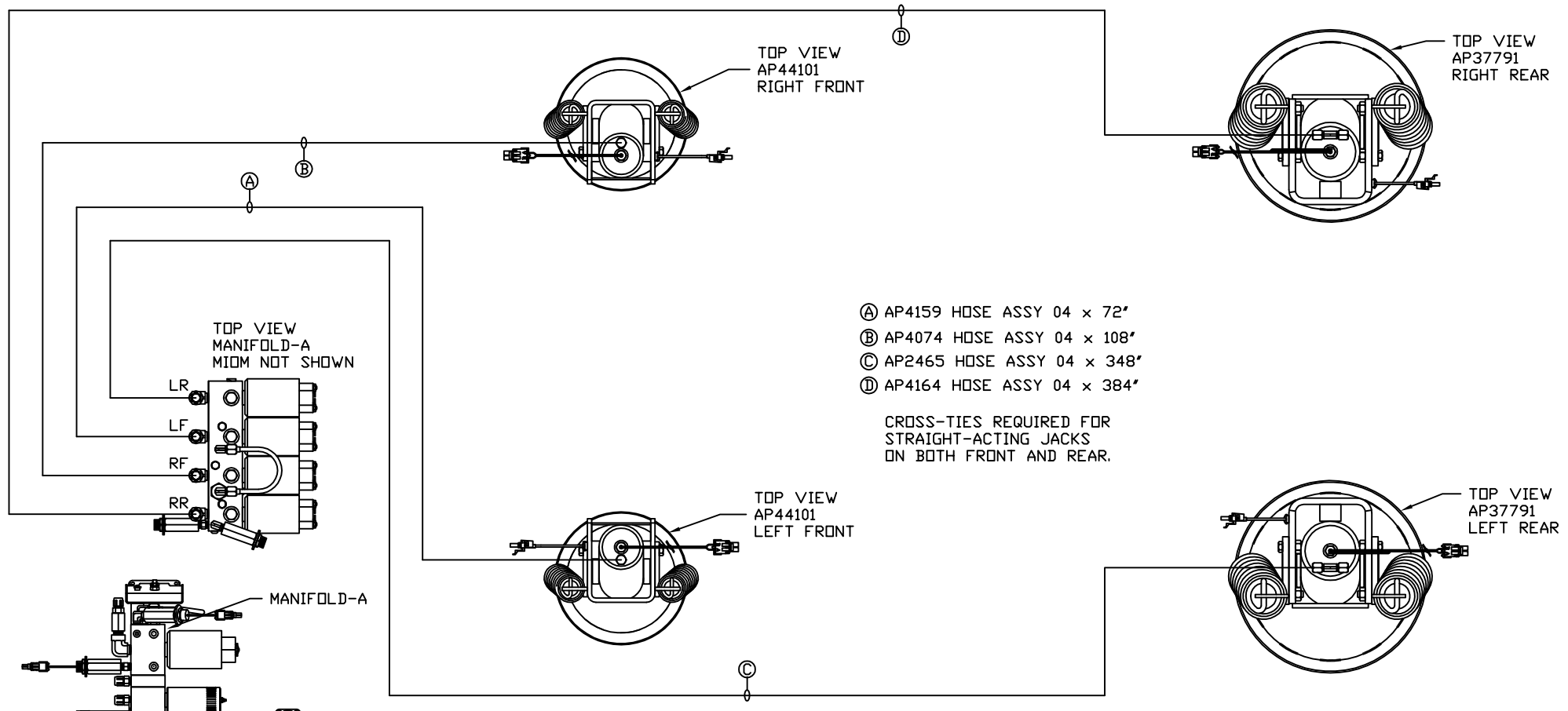
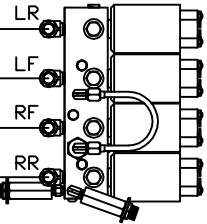


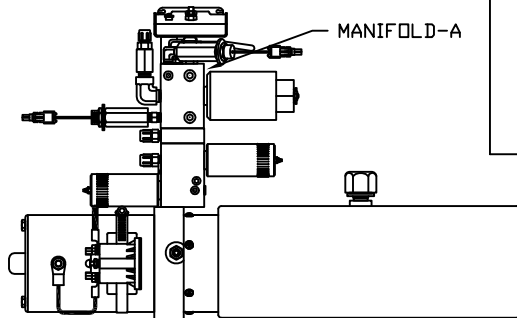
ORIENTATION
← FRONT



TOP VIEW
MANIFOLD-A
MIDM NOT SHOWN



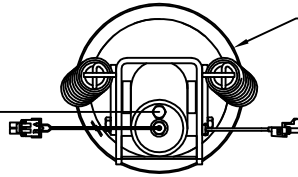
MANIFOLD-A



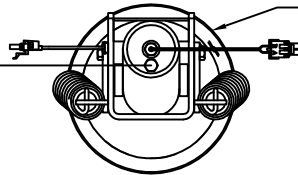
SIDE VIEW PUMP/MANIFOLD-AP58569

LOCATION AND ORIENTATION OF
PUMP/MANIFOLD ASSEMBLY WILL
DIFFER DEPENDING UPON O.E.M.

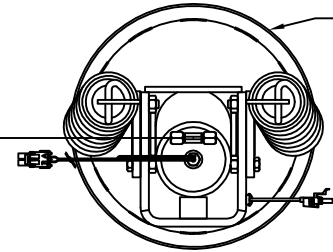
TOP VIEW
AP44101
RIGHT FRONT



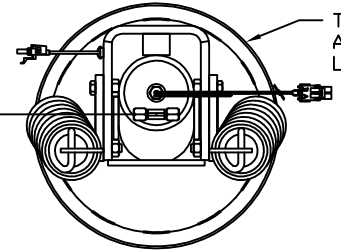
TOP VIEW
AP44101
LEFT FRONT



TOP VIEW
AP37791
RIGHT REAR



TOP VIEW
AP37791
LEFT REAR



- Ⓐ AP4159 HOSE ASSY 04 x 72'
- Ⓑ AP4074 HOSE ASSY 04 x 108'
- Ⓒ AP2465 HOSE ASSY 04 x 348'
- Ⓓ AP4164 HOSE ASSY 04 x 384'

CROSS-TIES REQUIRED FOR
STRAIGHT-ACTING JACKS
ON BOTH FRONT AND REAR.

NOTE: INSTALLATION MUST CONFORM TO GOOD SHOP PRACTICES, SAE STANDARDS, RVIA STANDARDS, AND OTHER APPLICABLE STANDARDS.

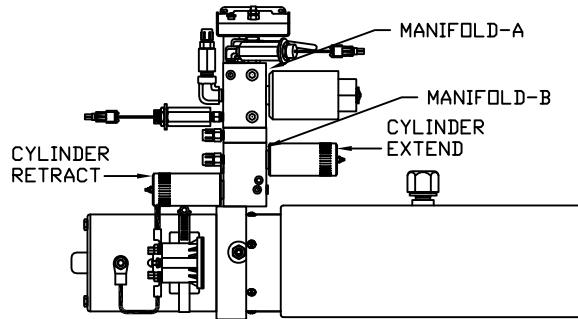
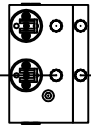
		HWH I-80 EXIT 267 SOUTH RT 1 MOSCOW, IOWA 52760	
		SCALE 1:6	DATE 16FEB18
		DRAWN BY .	
		HYD CONN DIAGRAM	
SYNC KIT: AP53371	NO.	DATE	REVISION
PUMP KIT: AP58567	THE INFORMATION DISCLOSED ON THIS DRAWING IS CONFIDENTIAL AND MUST NOT BE DISCLOSED OR USED IN ANY MANNER WHICH WILL BE DETRIMENTAL TO THE HWH CORPORATION		
JACK KIT: AP58593	TIFFIN		DRAWING NUMBER MP71157 A/C

ORIENTATION

← FRONT

- Ⓐ AP4073 HOSE ASSY 04 × 60'
ROD END - ALWAYS PRESSURIZED
- Ⓑ AP5352 HOSE ASSY 04 × 96'
CAP END
- Ⓒ AP49517 HOSE ASSY 03 × 180'
ROD END - ALWAYS PRESSURIZED - MUST
MAINTAIN EQUAL LENGTH AND DIAMETER
- Ⓓ AP6115 HOSE ASSY 04 × 168'
CAP END - MUST MAINTAIN EQUAL LENGTH
AND DIAMETER

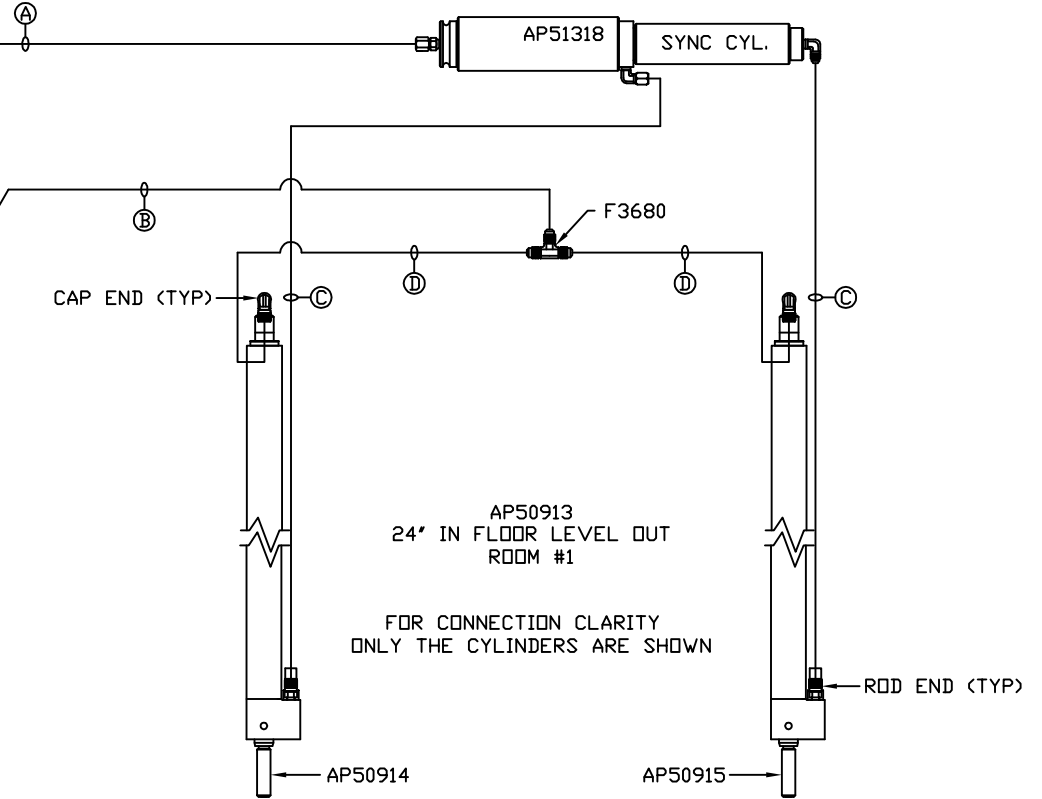
FRONT VIEW
MANIFOLD-B



SIDE VIEW PUMP/MANIFOLD-AP58569

LOCATION AND ORIENTATION OF
PUMP/MANIFOLD ASSEMBLY WILL
DIFFER DEPENDING UPON O.E.M.

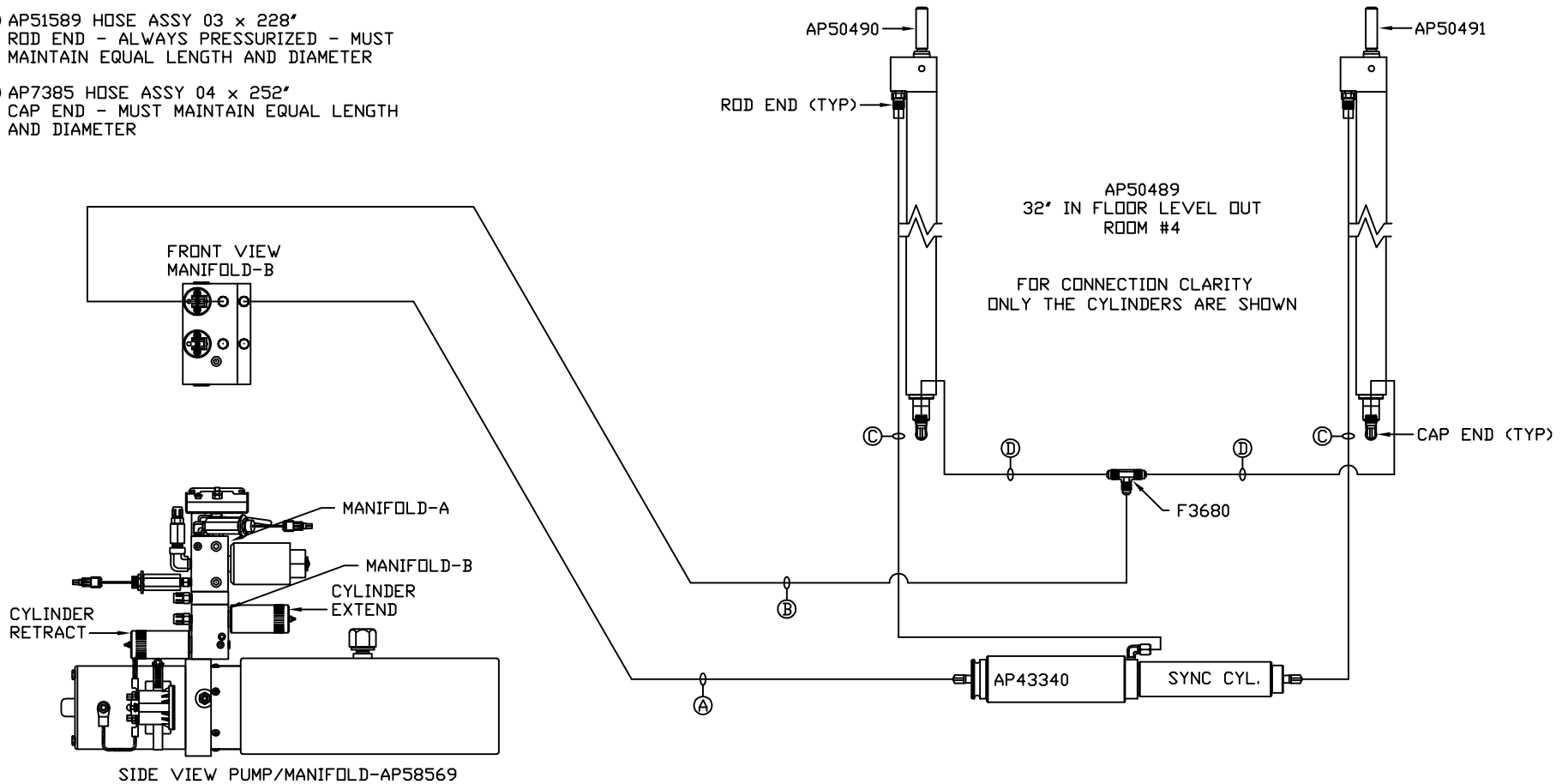
NOTE: INSTALLATION MUST CONFORM TO GOOD SHOP PRACTICES, SAE
STANDARDS, RVIA STANDARDS, AND OTHER APPLICABLE STANDARDS.



ORIENTATION

← FRONT

- Ⓐ AP4074 HOSE ASSY 04 × 108"
ROD END - ALWAYS PRESSURIZED
- Ⓑ AP4827 HOSE ASSY 04 × 144"
CAP END
- Ⓒ AP51589 HOSE ASSY 03 × 228"
ROD END - ALWAYS PRESSURIZED - MUST
MAINTAIN EQUAL LENGTH AND DIAMETER
- Ⓓ AP7385 HOSE ASSY 04 × 252"
CAP END - MUST MAINTAIN EQUAL LENGTH
AND DIAMETER



SIDE VIEW PUMP/MANIFOLD-AP58569

LOCATION AND ORIENTATION OF
PUMP/MANIFOLD ASSEMBLY WILL
DIFFER DEPENDING UPON O.E.M.

NOTE: INSTALLATION MUST CONFORM TO GOOD SHOP PRACTICES, SAE
STANDARDS, RVIA STANDARDS, AND OTHER APPLICABLE STANDARDS.