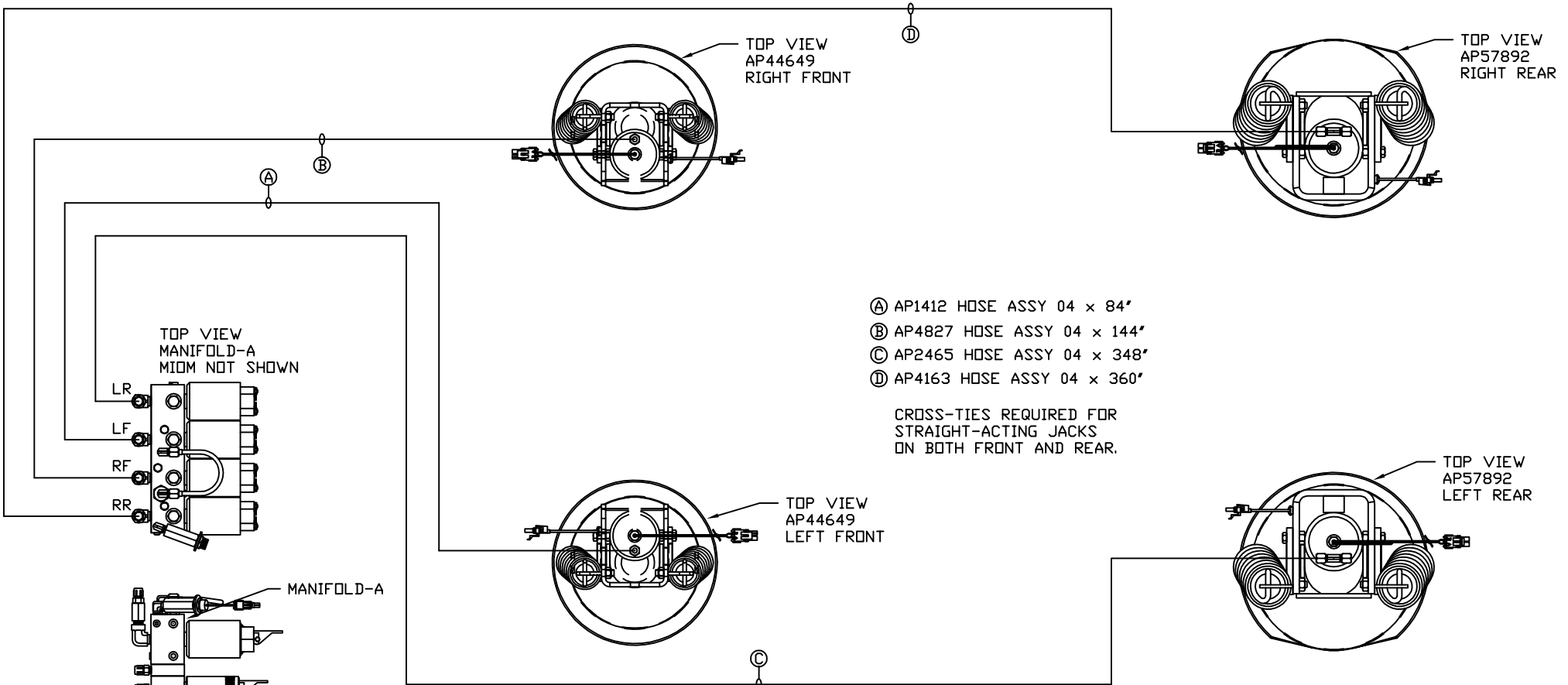
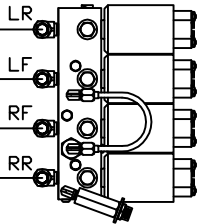


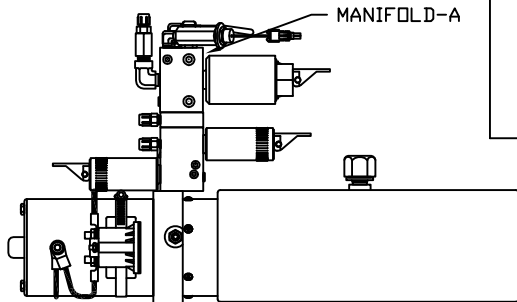
ORIENTATION
← FRONT



TOP VIEW
MANIFOLD-A
MIDM NOT SHOWN



MANIFOLD-A



SIDE VIEW PUMP/MANIFOLD-AP54806

LOCATION AND ORIENTATION OF
PUMP/MANIFOLD ASSEMBLY WILL
DIFFER DEPENDING UPON O.E.M.

- Ⓐ AP1412 HOSE ASSY 04 x 84"
- Ⓑ AP4827 HOSE ASSY 04 x 144"
- Ⓒ AP2465 HOSE ASSY 04 x 348"
- Ⓓ AP4163 HOSE ASSY 04 x 360"

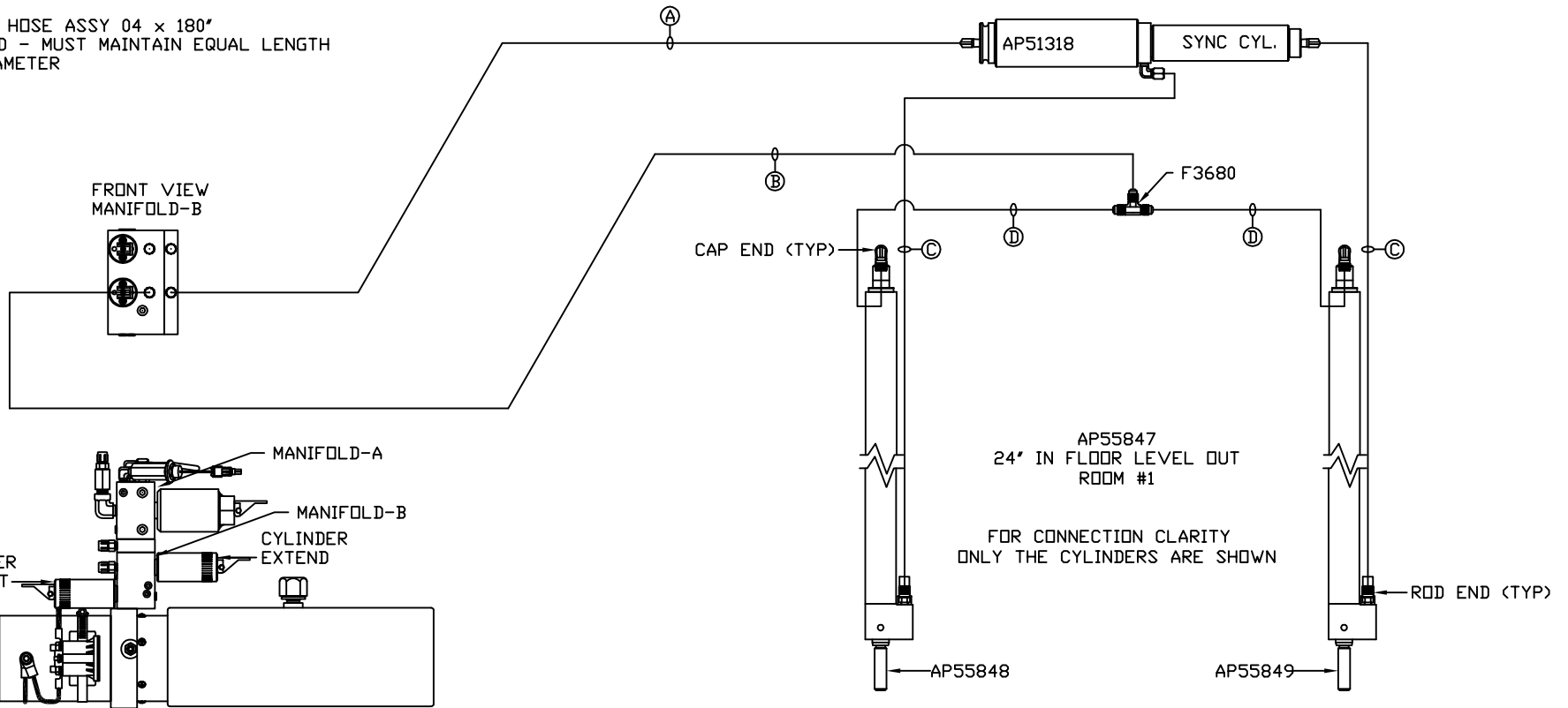
CROSS-TIES REQUIRED FOR
STRAIGHT-ACTING JACKS
ON BOTH FRONT AND REAR.

NOTE: INSTALLATION MUST CONFORM TO GOOD SHOP PRACTICES, SAE STANDARDS, RVIA STANDARDS, AND OTHER APPLICABLE STANDARDS.

		HWH I-80 EXIT 267 SOUTH RT 1 MOSCOW, IOWA 52760	
		SCALE 1:6	DATE 16FEB18
		DRAWN BY .	
		HYD CONN DIAGRAM	
SYNC KIT: AP53377	NO.	DATE	REVISION
PUMP KIT: AP51752	THE INFORMATION DISCLOSED ON THIS DRAWING IS CONFIDENTIAL AND MUST NOT BE DISCLOSED OR USED IN ANY MANNER WHICH WILL BE DETRIMENTAL TO THE HWH CORPORATION		
JACK KIT: AP57896	TIFFIN		DRAWING NUMBER MP71162 A/C

ORIENTATION
← FRONT

- Ⓐ AP4074 HOSE ASSY 04 × 108"
ROD END - ALWAYS PRESSURIZED
- Ⓑ AP4161 HOSE ASSY 04 × 120"
CAP END
- Ⓒ AP49517 HOSE ASSY 03 × 180"
ROD END - ALWAYS PRESSURIZED - MUST
MAINTAIN EQUAL LENGTH AND DIAMETER
- Ⓓ AP5965 HOSE ASSY 04 × 180"
CAP END - MUST MAINTAIN EQUAL LENGTH
AND DIAMETER



SIDE VIEW PUMP/MANIFOLD-AP54806

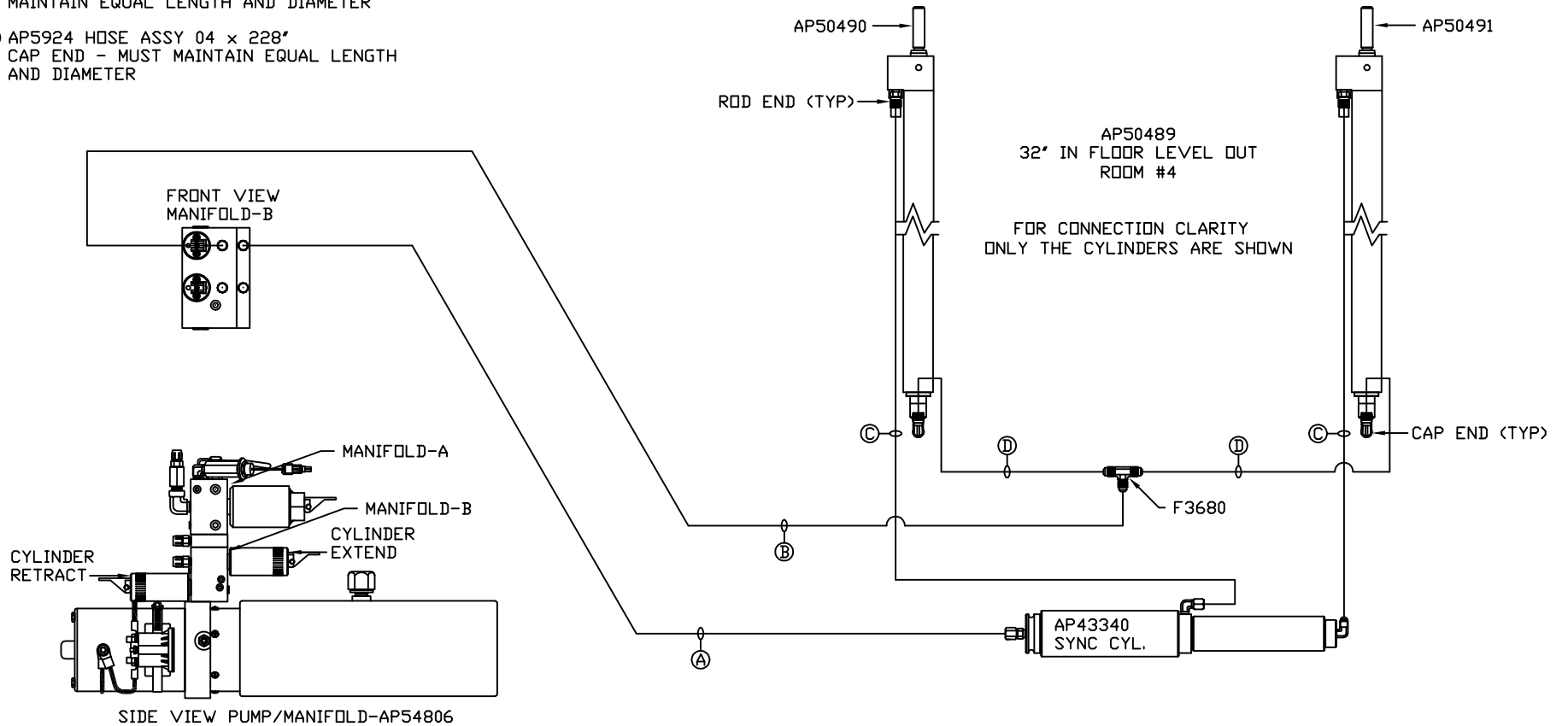
LOCATION AND ORIENTATION OF
PUMP/MANIFOLD ASSEMBLY WILL
DIFFER DEPENDING UPON O.E.M.

NOTE: INSTALLATION MUST CONFORM TO GOOD SHOP PRACTICES, SAE
STANDARDS, RVIA STANDARDS, AND OTHER APPLICABLE STANDARDS.

ORIENTATION

← FRONT

- Ⓐ AP5352 HOSE ASSY 04 × 96'
ROD END - ALWAYS PRESSURIZED
- Ⓑ AP10566 HOSE ASSY 04 × 102'
CAP END
- Ⓒ AP50847 HOSE ASSY 03 × 204'
ROD END - ALWAYS PRESSURIZED - MUST
MAINTAIN EQUAL LENGTH AND DIAMETER
- Ⓓ AP5924 HOSE ASSY 04 × 228'
CAP END - MUST MAINTAIN EQUAL LENGTH
AND DIAMETER



SIDE VIEW PUMP/MANIFOLD-AP54806

LOCATION AND ORIENTATION OF
PUMP/MANIFOLD ASSEMBLY WILL
DIFFER DEPENDING UPON O.E.M.

NOTE: INSTALLATION MUST CONFORM TO GOOD SHOP PRACTICES, SAE
STANDARDS, RVIA STANDARDS, AND OTHER APPLICABLE STANDARDS.

MP71162 C/C
16FEB18