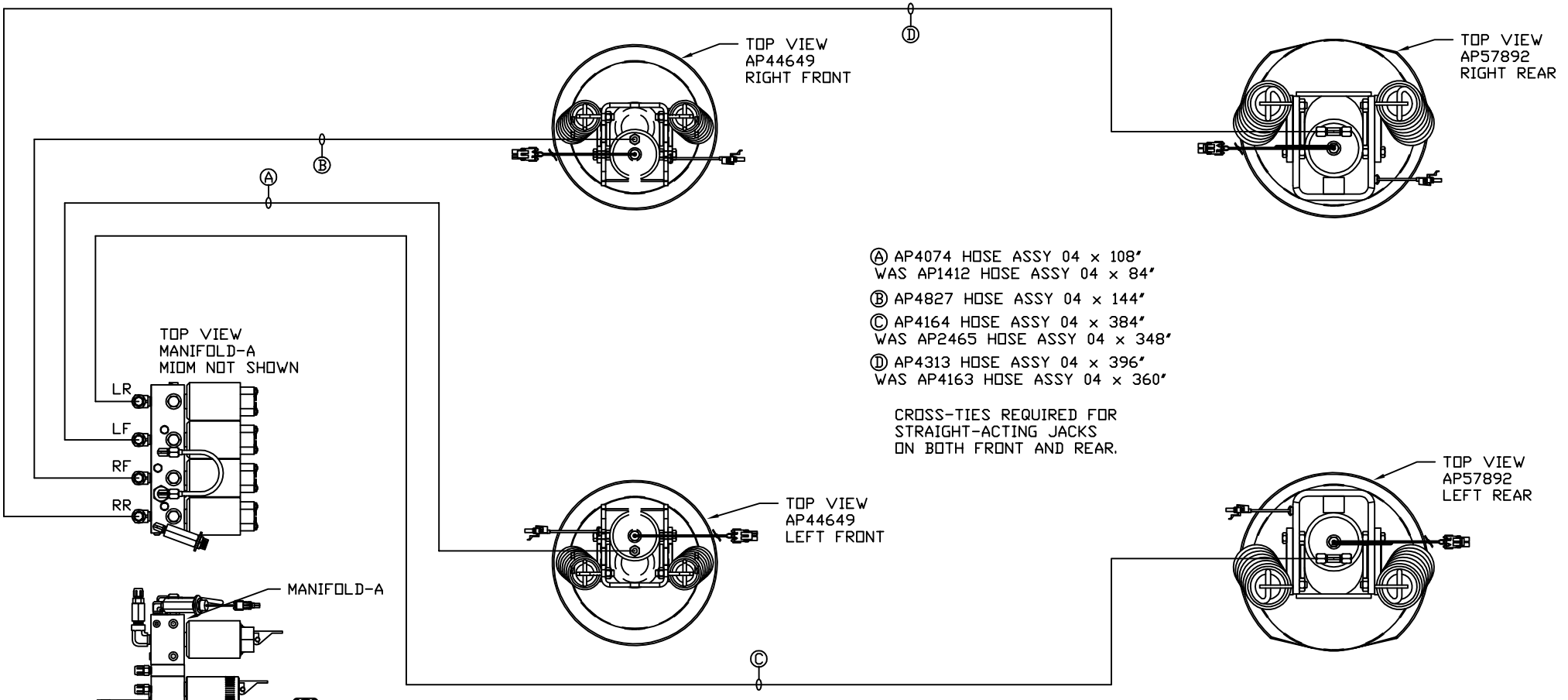
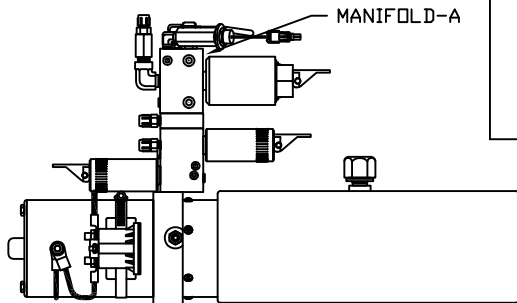


ORIENTATION  
← FRONT



- Ⓐ AP4074 HOSE ASSY 04 x 108"  
WAS AP1412 HOSE ASSY 04 x 84"
- Ⓑ AP4827 HOSE ASSY 04 x 144"
- Ⓒ AP4164 HOSE ASSY 04 x 384"  
WAS AP2465 HOSE ASSY 04 x 348"
- Ⓓ AP4313 HOSE ASSY 04 x 396"  
WAS AP4163 HOSE ASSY 04 x 360"

CROSS-TIES REQUIRED FOR  
STRAIGHT-ACTING JACKS  
ON BOTH FRONT AND REAR.



SIDE VIEW PUMP/MANIFOLD-AP54806

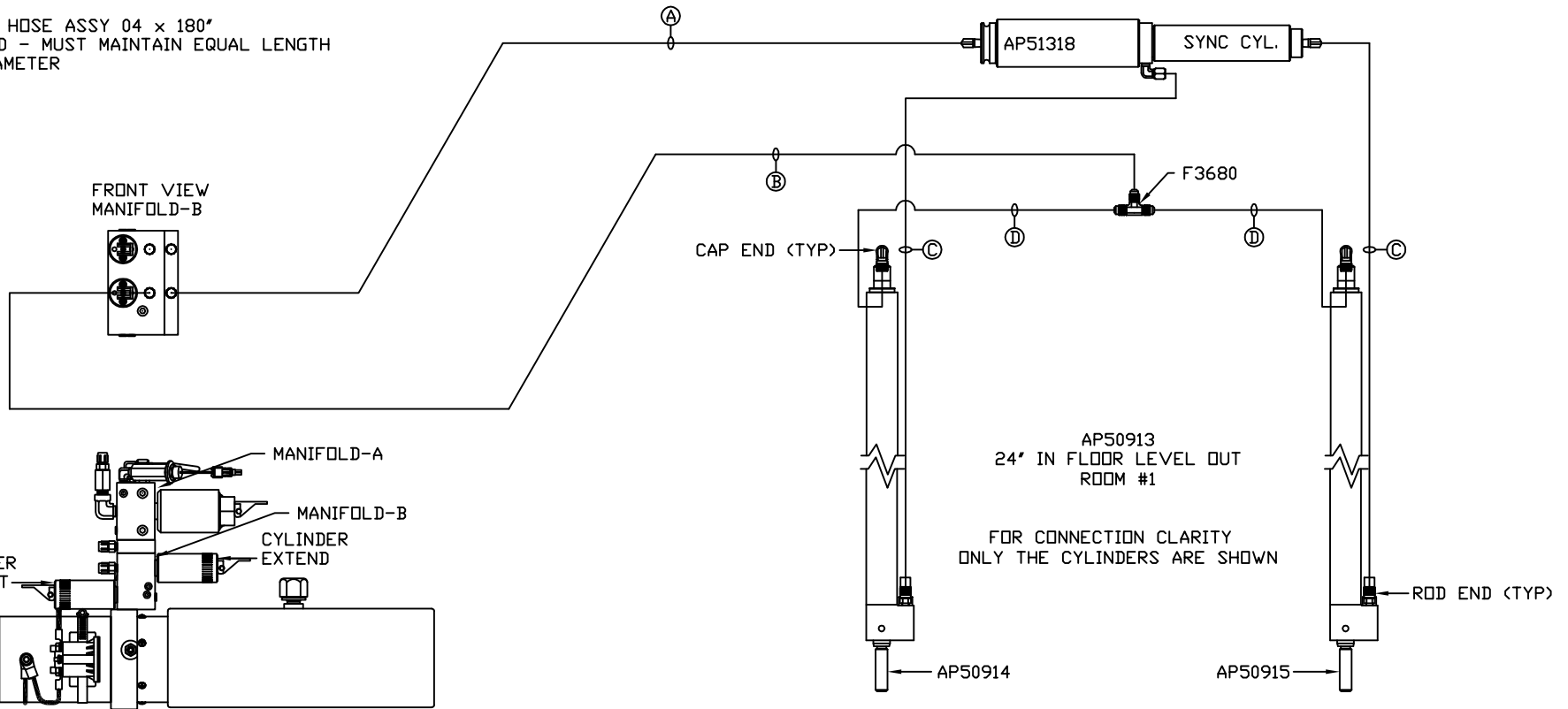
LOCATION AND ORIENTATION OF  
PUMP/MANIFOLD ASSEMBLY WILL  
DIFFER DEPENDING UPON O.E.M.

NOTE: INSTALLATION MUST CONFORM TO GOOD SHOP PRACTICES, SAE  
STANDARDS, RVIA STANDARDS, AND OTHER APPLICABLE STANDARDS.

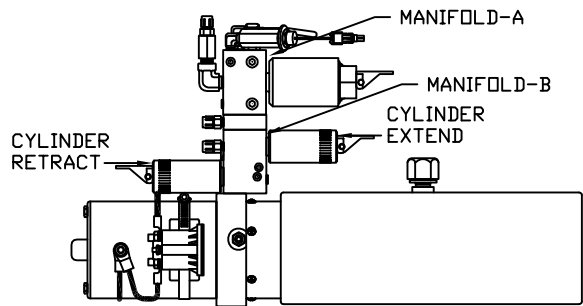
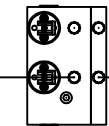
				HWH I-80 EXIT 267 SOUTH RT 1 MOSCOW, IOWA 52760	
		SCALE 1:6	DATE 16FEB18	DRAWN BY .	
		HYD CONN DIAGRAM			
		TIFFIN		DRAWING NUMBER MP71166 A/C	
2	29OCT19	UPDATED HOSES			
1	25JUL19	UPDATED HOSES			
NO.	DATE	REVISION			
SYNC KIT: AP53377					
PUMP KIT: AP51752		THE INFORMATION DISCLOSED ON THIS DRAWING IS CONFIDENTIAL AND MUST NOT BE DISCLOSED OR USED IN ANY MANNER WHICH WILL BE DETRIMENTAL TO THE HWH CORPORATION			
JACK KIT: AP57896					

**ORIENTATION**  
← FRONT

- Ⓐ AP4074 HOSE ASSY 04 × 108"  
ROD END - ALWAYS PRESSURIZED
- Ⓑ AP4161 HOSE ASSY 04 × 120"  
CAP END
- Ⓒ AP49517 HOSE ASSY 03 × 180"  
ROD END - ALWAYS PRESSURIZED - MUST  
MAINTAIN EQUAL LENGTH AND DIAMETER
- Ⓓ AP5965 HOSE ASSY 04 × 180"  
CAP END - MUST MAINTAIN EQUAL LENGTH  
AND DIAMETER



FRONT VIEW  
MANIFOLD-B

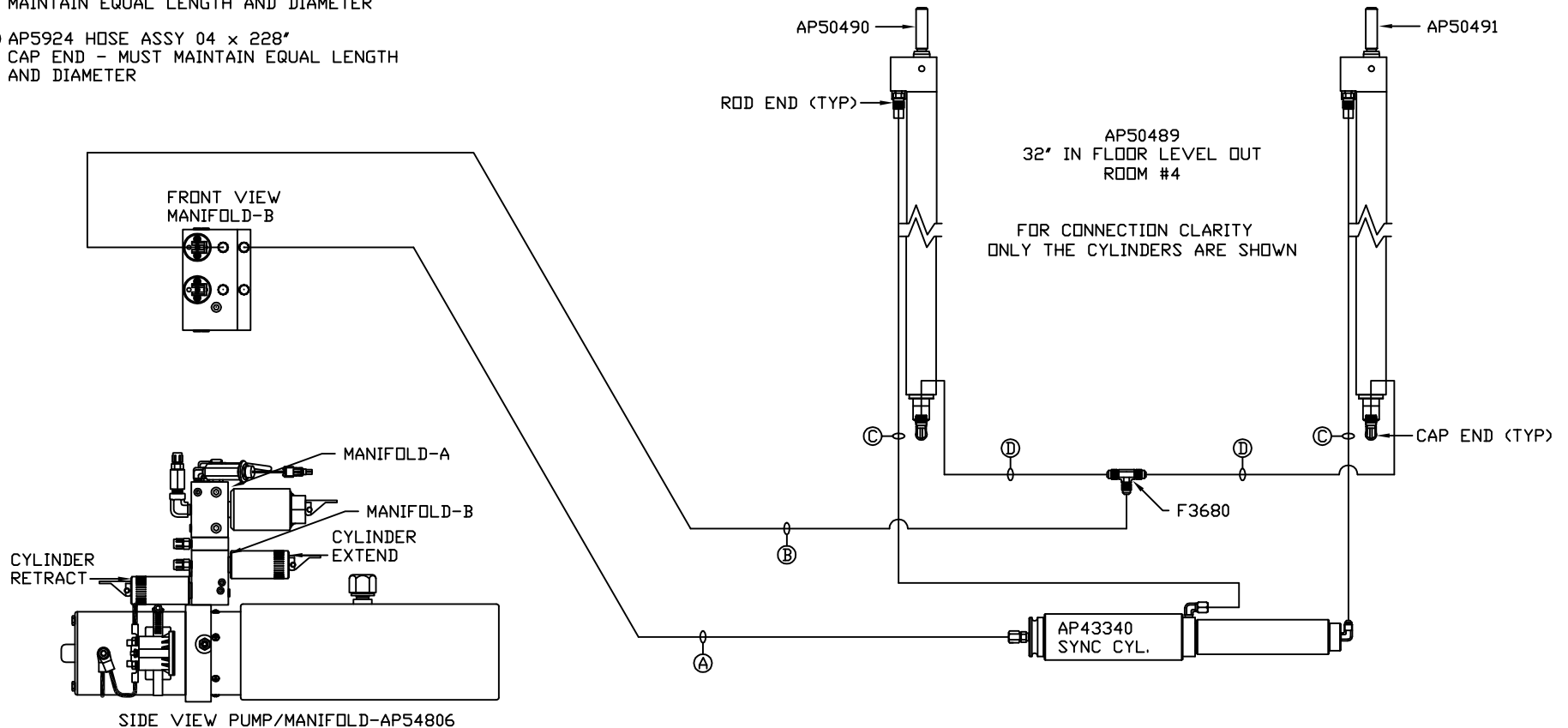


SIDE VIEW PUMP/MANIFOLD-AP54806

LOCATION AND ORIENTATION OF  
PUMP/MANIFOLD ASSEMBLY WILL  
DIFFER DEPENDING UPON O.E.M.

NOTE: INSTALLATION MUST CONFORM TO GOOD SHOP PRACTICES, SAE  
STANDARDS, RVIA STANDARDS, AND OTHER APPLICABLE STANDARDS.

- Ⓐ AP5352 HOSE ASSY 04 x 96"  
ROD END - ALWAYS PRESSURIZED
- Ⓑ AP10566 HOSE ASSY 04 x 102"  
CAP END
- Ⓒ AP51589 HOSE ASSY 03 x 228"  
WAS AP50847 HOSE ASSY 03 x 204"  
ROD END - ALWAYS PRESSURIZED - MUST  
MAINTAIN EQUAL LENGTH AND DIAMETER
- Ⓓ AP5924 HOSE ASSY 04 x 228"  
CAP END - MUST MAINTAIN EQUAL LENGTH  
AND DIAMETER



SIDE VIEW PUMP/MANIFOLD-AP54806

LOCATION AND ORIENTATION OF  
PUMP/MANIFOLD ASSEMBLY WILL  
DIFFER DEPENDING UPON O.E.M.

NOTE: INSTALLATION MUST CONFORM TO GOOD SHOP PRACTICES, SAE  
STANDARDS, RVIA STANDARDS, AND OTHER APPLICABLE STANDARDS.

MP71166 C/C  
29OCT19