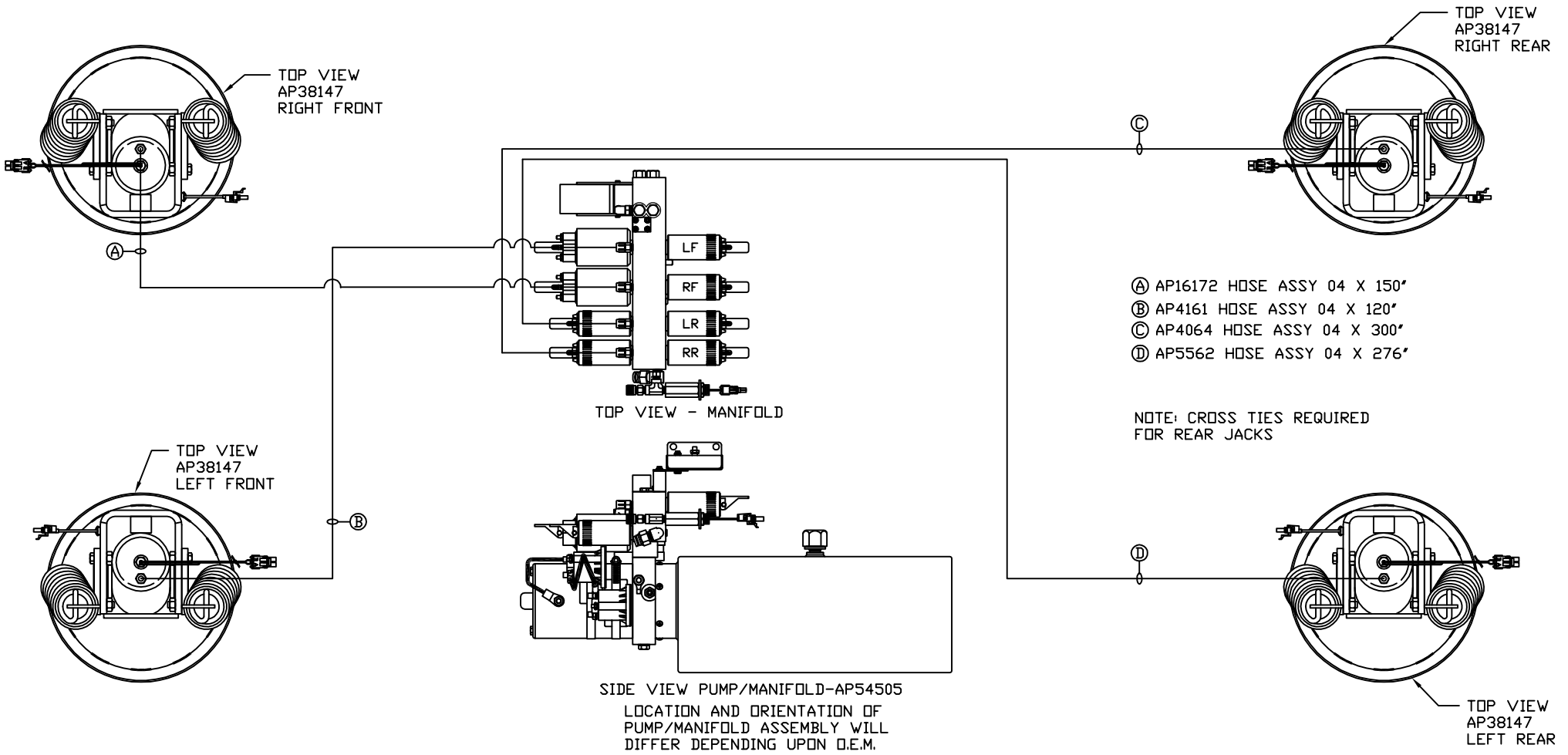


ORIENTATION
← FRONT



NOTE: INSTALLATION MUST CONFORM TO GOOD SHOP PRACTICES, SAE STANDARDS, RVIA STANDARDS, AND OTHER APPLICABLE STANDARDS.

LEVELING SYSTEM: AP55089

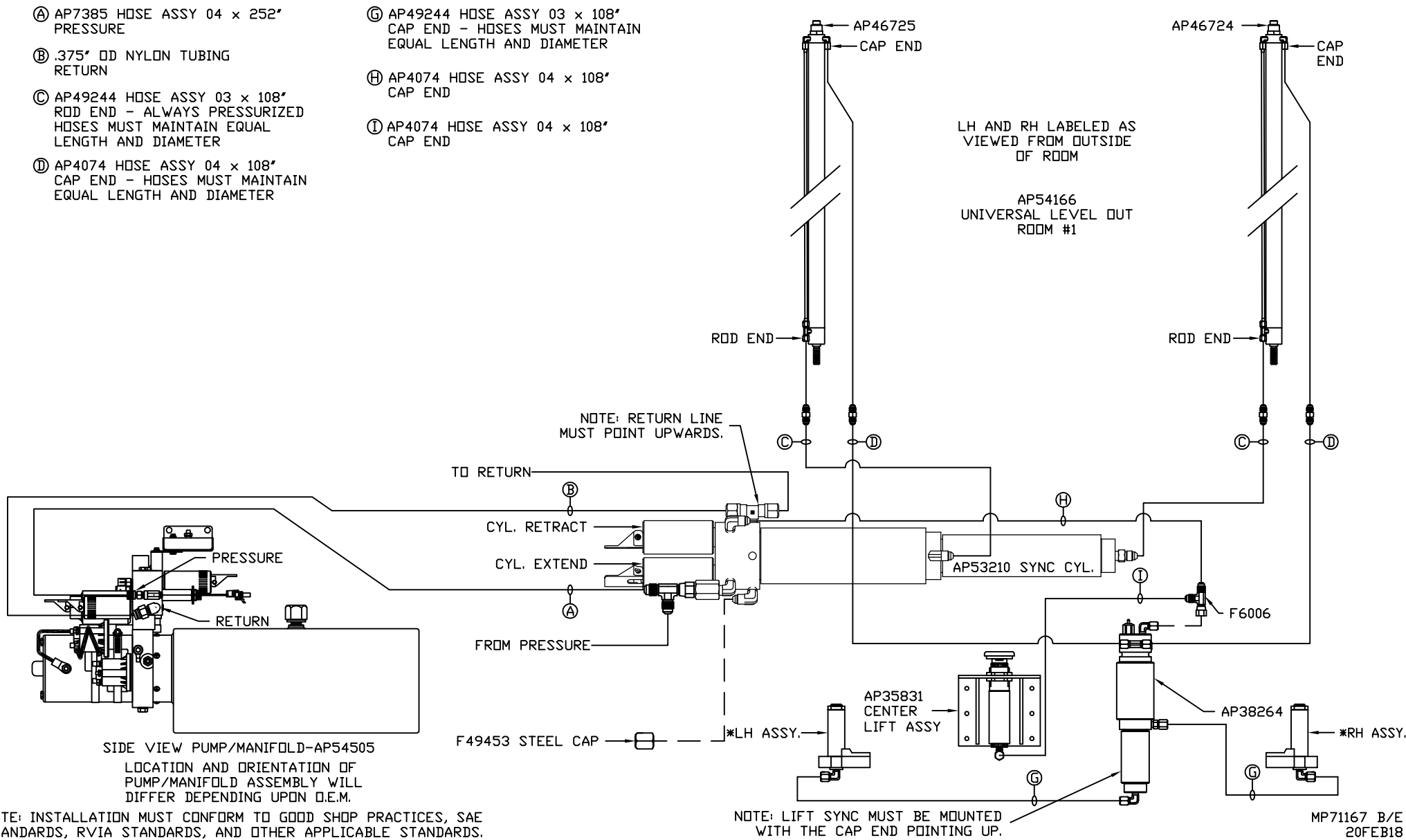
| | | | |
|-----|------|--|-------------------------------|
| | | HWH I-80 EXIT 267 SOUTH RT 1 MOSCOW, IOWA 52760 | |
| | | SCALE 1:6 | DATE 20FEB18 |
| | | DRAWN BY . | |
| | | HYD CONN DIAGRAM | |
| NO. | DATE | REVISION | |
| | | THE INFORMATION DISCLOSED ON THIS DRAWING IS CONFIDENTIAL AND MUST NOT BE DISCLOSED OR USED IN ANY MANNER WHICH WILL BE DETRIMENTAL TO THE HWH CORPORATION | |
| | | LIFELINE | DRAWING NUMBER MP71167 A/E |

*: PART OF THE ROOM
EXTENSION MECHANISM.

AP58577 HOSE KIT 4 RM/ULD/CL

- (A) AP7385 HOSE ASSY 04 x 252" PRESSURE
- (B) .375" OD NYLON TUBING RETURN
- (C) AP49244 HOSE ASSY 03 x 108" ROD END - ALWAYS PRESSURIZED HOSES MUST MAINTAIN EQUAL LENGTH AND DIAMETER
- (D) AP4074 HOSE ASSY 04 x 108" CAP END - HOSES MUST MAINTAIN EQUAL LENGTH AND DIAMETER

- (G) AP49244 HOSE ASSY 03 x 108" CAP END - HOSES MUST MAINTAIN EQUAL LENGTH AND DIAMETER
- (H) AP4074 HOSE ASSY 04 x 108" CAP END
- (I) AP4074 HOSE ASSY 04 x 108" CAP END



SIDE VIEW PUMP/MANIFOLD-AP54505
LOCATION AND ORIENTATION OF
PUMP/MANIFOLD ASSEMBLY WILL
DIFFER DEPENDING UPON O.E.M.

NOTE: INSTALLATION MUST CONFORM TO GOOD SHOP PRACTICES, SAE
STANDARDS, RVIA STANDARDS, AND OTHER APPLICABLE STANDARDS.

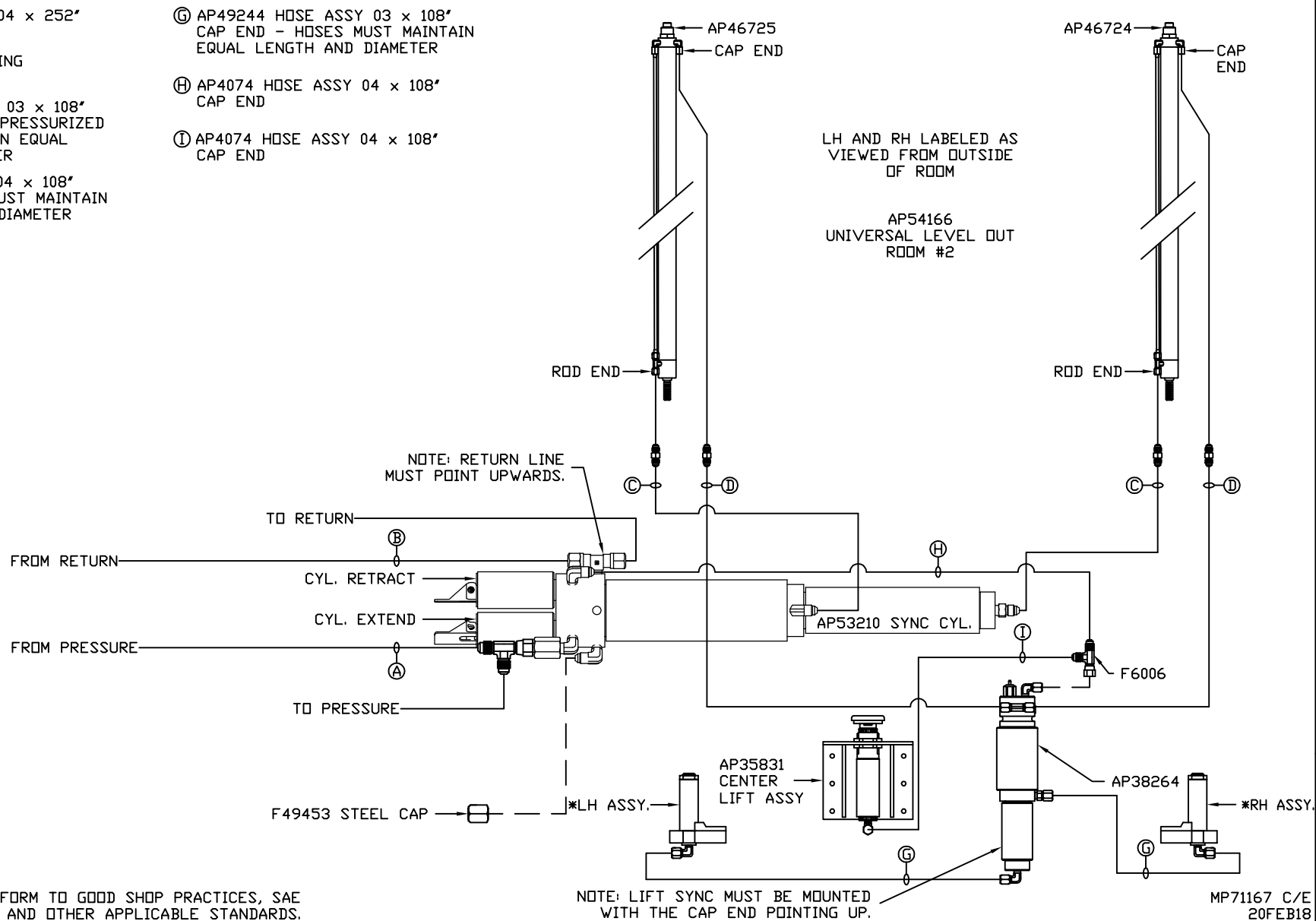
NOTE: LIFT SYNC MUST BE MOUNTED
WITH THE CAP END POINTING UP.

MP71167 B/E
20FEB18

*: PART OF THE ROOM
EXTENSION MECHANISM.

- (A) AP7385 HOSE ASSY 04 x 252' PRESSURE
- (B) .375" OD NYLON TUBING RETURN
- (C) AP49244 HOSE ASSY 03 x 108" ROD END - ALWAYS PRESSURIZED HOSES MUST MAINTAIN EQUAL LENGTH AND DIAMETER
- (D) AP4074 HOSE ASSY 04 x 108" CAP END - HOSES MUST MAINTAIN EQUAL LENGTH AND DIAMETER

- (G) AP49244 HOSE ASSY 03 x 108" CAP END - HOSES MUST MAINTAIN EQUAL LENGTH AND DIAMETER
- (H) AP4074 HOSE ASSY 04 x 108" CAP END
- (I) AP4074 HOSE ASSY 04 x 108" CAP END

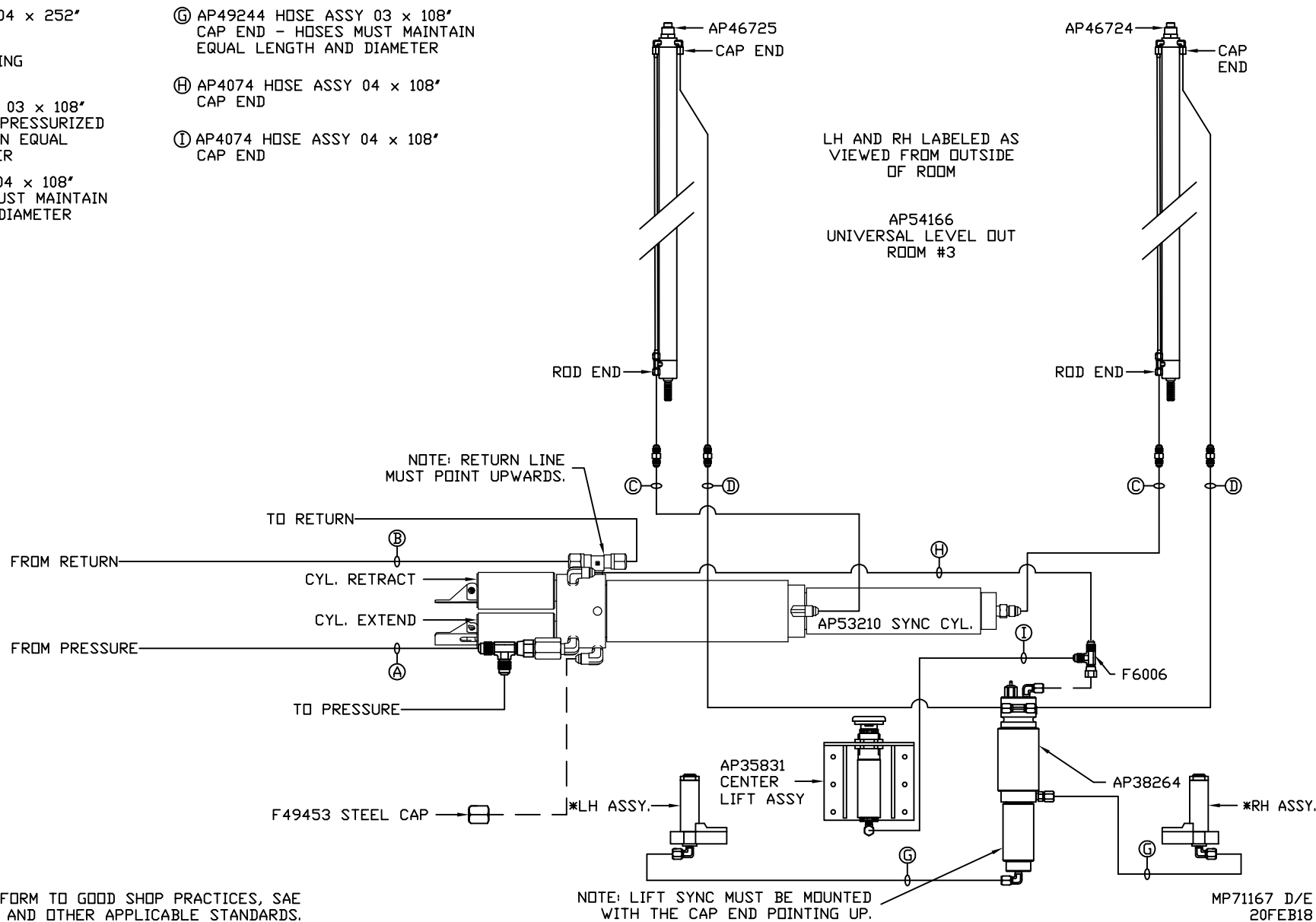


NOTE: INSTALLATION MUST CONFORM TO GOOD SHOP PRACTICES, SAE STANDARDS, RVIA STANDARDS, AND OTHER APPLICABLE STANDARDS.

*: PART OF THE ROOM
EXTENSION MECHANISM.

- (A) AP7385 HOSE ASSY 04 x 252' PRESSURE
- (B) .375" OD NYLON TUBING RETURN
- (C) AP49244 HOSE ASSY 03 x 108" ROD END - ALWAYS PRESSURIZED HOSES MUST MAINTAIN EQUAL LENGTH AND DIAMETER
- (D) AP4074 HOSE ASSY 04 x 108" CAP END - HOSES MUST MAINTAIN EQUAL LENGTH AND DIAMETER

- (G) AP49244 HOSE ASSY 03 x 108" CAP END - HOSES MUST MAINTAIN EQUAL LENGTH AND DIAMETER
- (H) AP4074 HOSE ASSY 04 x 108" CAP END
- (I) AP4074 HOSE ASSY 04 x 108" CAP END



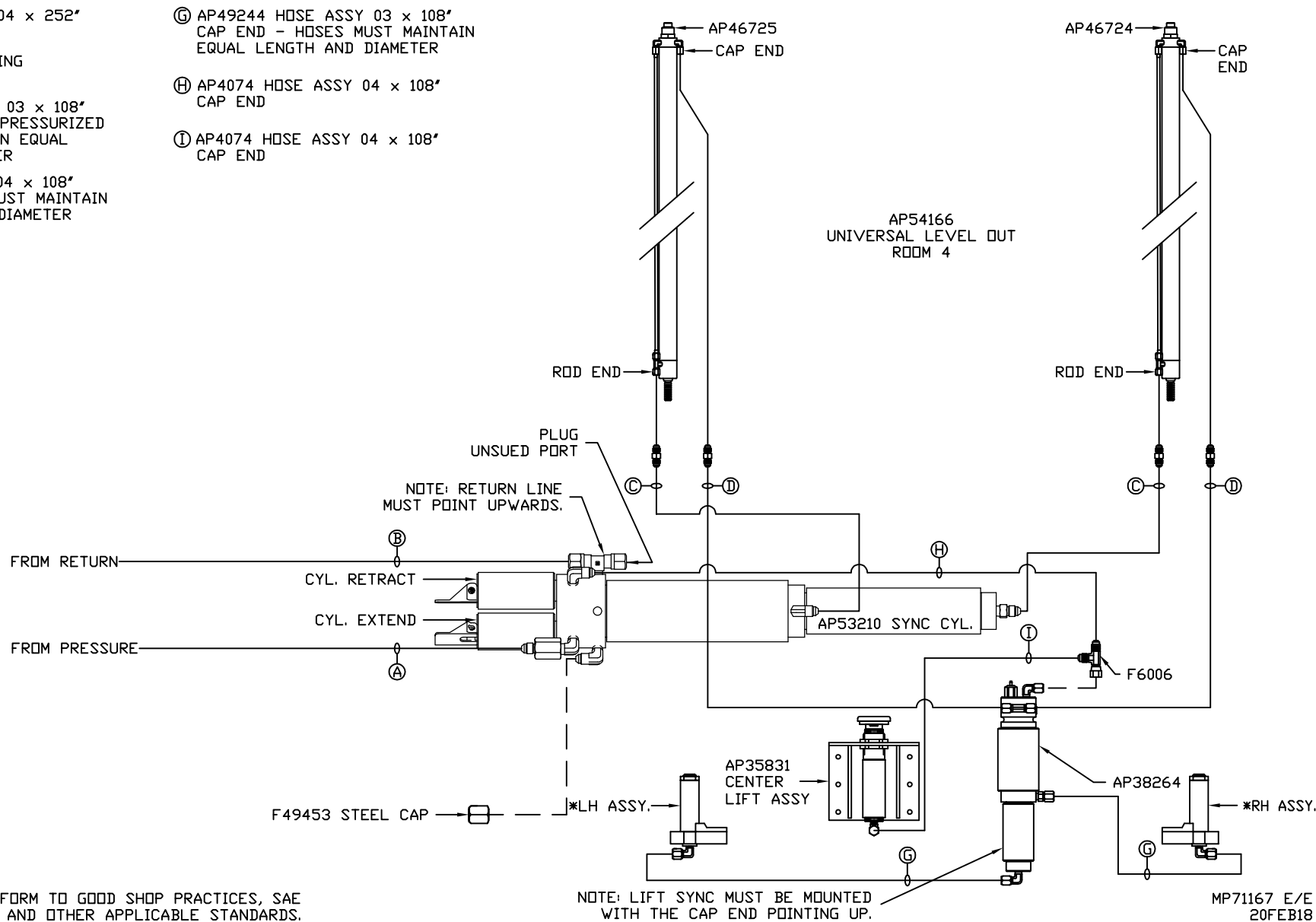
NOTE: INSTALLATION MUST CONFORM TO GOOD SHOP PRACTICES, SAE STANDARDS, RVIA STANDARDS, AND OTHER APPLICABLE STANDARDS.

MP71167 D/E
20FEB18

*: PART OF THE ROOM
EXTENSION MECHANISM.

- (A) AP7385 HOSE ASSY 04 x 252" PRESSURE
- (B) .375" OD NYLON TUBING RETURN
- (C) AP49244 HOSE ASSY 03 x 108" ROD END - ALWAYS PRESSURIZED HOSES MUST MAINTAIN EQUAL LENGTH AND DIAMETER
- (D) AP4074 HOSE ASSY 04 x 108" CAP END - HOSES MUST MAINTAIN EQUAL LENGTH AND DIAMETER

- (G) AP49244 HOSE ASSY 03 x 108" CAP END - HOSES MUST MAINTAIN EQUAL LENGTH AND DIAMETER
- (H) AP4074 HOSE ASSY 04 x 108" CAP END
- (I) AP4074 HOSE ASSY 04 x 108" CAP END



NOTE: INSTALLATION MUST CONFORM TO GOOD SHOP PRACTICES, SAE STANDARDS, RVIA STANDARDS, AND OTHER APPLICABLE STANDARDS.

MP71167 E/E
20FEB18