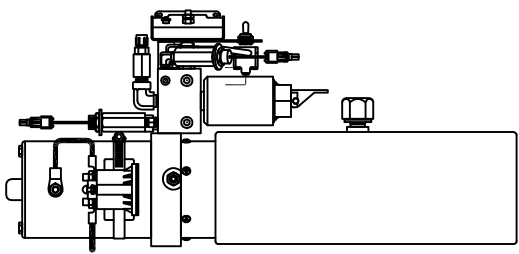
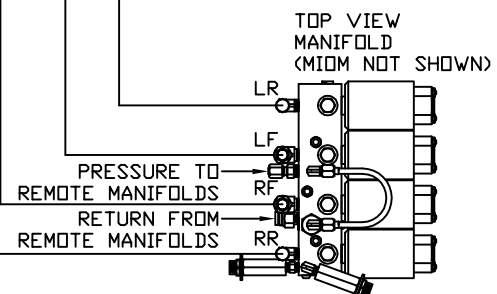
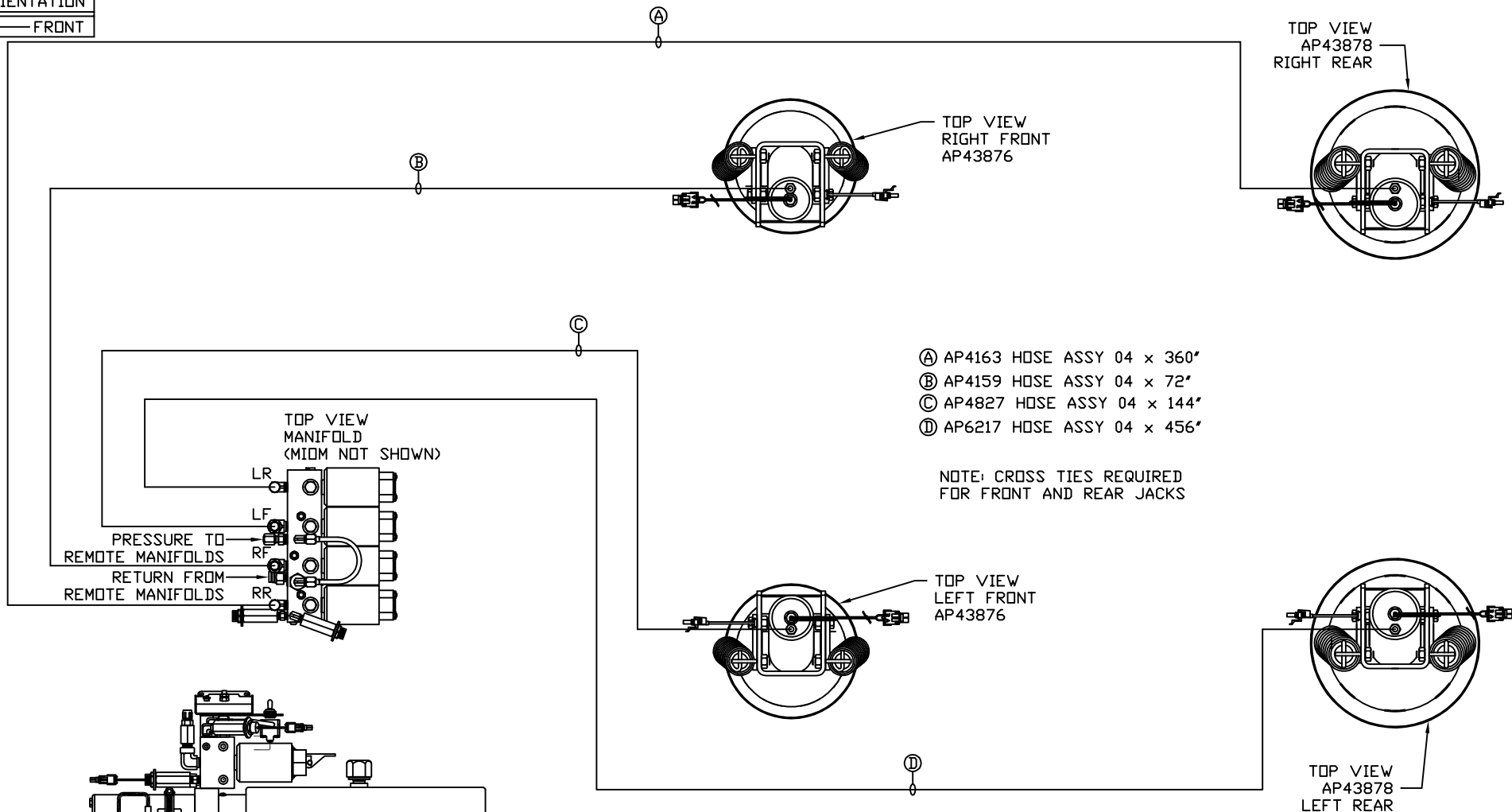


ORIENTATION
← FRONT



SIDE VIEW PUMP/MANIFOLD-AP58661

LOCATION AND ORIENTATION OF
PUMP/MANIFOLD ASSEMBLY WILL
DIFFER DEPENDING UPON O.E.M.

NOTE: INSTALLATION MUST CONFORM TO GOOD SHOP PRACTICES, SAE
STANDARDS, RVIA STANDARDS, AND OTHER APPLICABLE STANDARDS.

LEVELING SYSTEM: AP59311

- Ⓐ AP4163 HOSE ASSY 04 x 360"
- Ⓑ AP4159 HOSE ASSY 04 x 72"
- Ⓒ AP4827 HOSE ASSY 04 x 144"
- Ⓓ AP6217 HOSE ASSY 04 x 456"

NOTE: CROSS TIES REQUIRED
FOR FRONT AND REAR JACKS

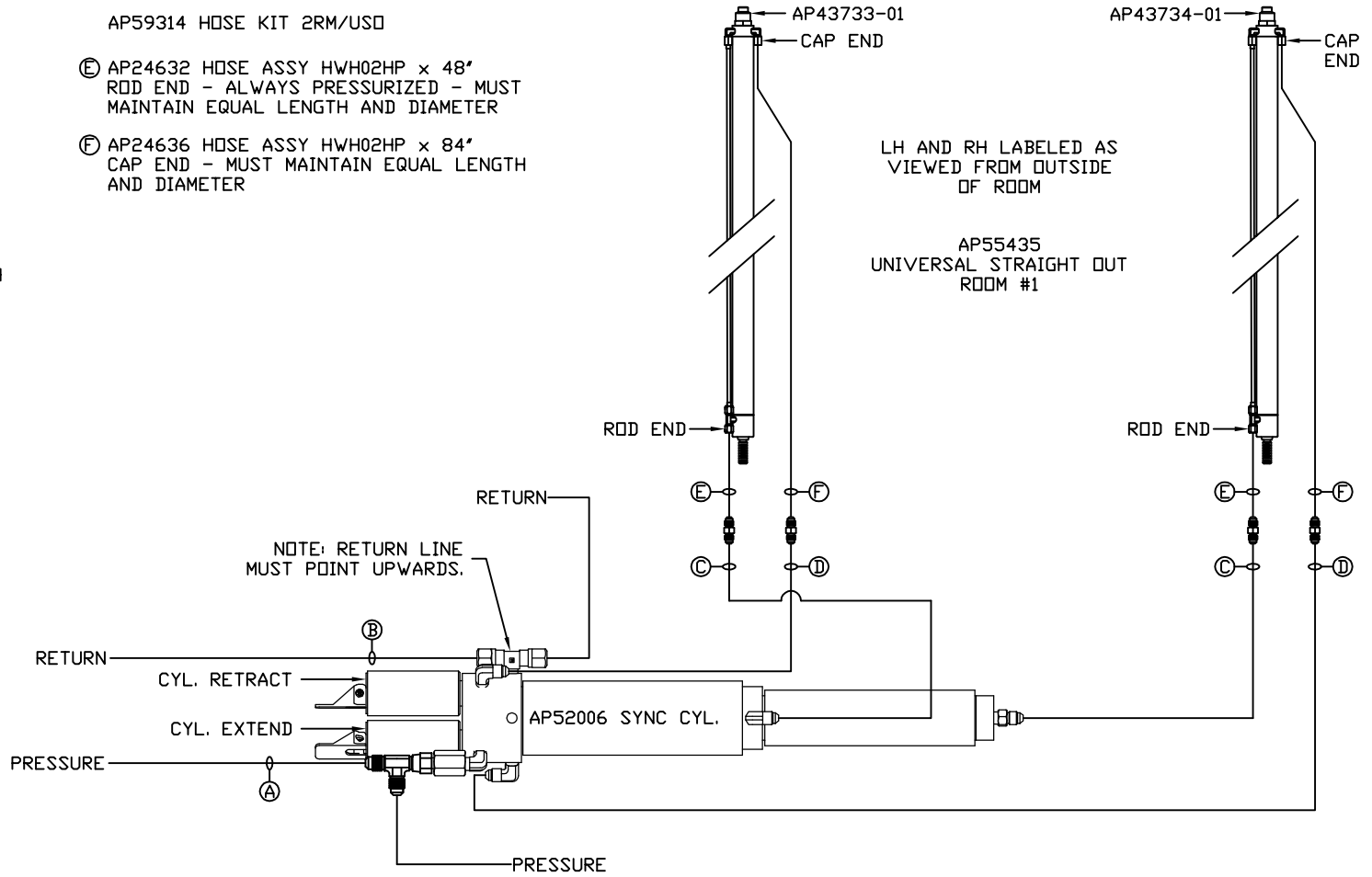
		HWH		I-80 EXIT 267 SOUTH RT 1 MOSCOW, IOWA 52760	
		SCALE 1:6	DATE 30JUL18	DRAWN BY .	
		HYD CONN DIAGRAM			
NO.	DATE	REVISION			
		ALEPH		DRAWING NUMBER MP71186 A/C	
<p>THE INFORMATION DISCLOSED ON THIS DRAWING IS CONFIDENTIAL AND MUST NOT BE DISCLOSED OR USED IN ANY MANNER WHICH WILL BE DETRIMENTAL TO THE HWH CORPORATION</p>					

NOTE: HOSES (E) AND (F) ARE INCLUDED WITH THE ROOM EXTENSION MECHANISM

- (A) AP4391 HOSE ASSY 04 x 372" PRESSURE
- (B) P4479 TUBING NYLON 3/8" x 360" RETURN
- (C) AP49244 HOSE ASSY 03 x 108" ROD END - ALWAYS PRESSURIZED - MUST MAINTAIN EQUAL LENGTH AND DIAMETER
- (D) AP49244 HOSE ASSY 03 x 108" CAP END - MUST MAINTAIN EQUAL LENGTH AND DIAMETER

AP59314 HOSE KIT 2RM/USD

- (E) AP24632 HOSE ASSY HWH02HP x 48" ROD END - ALWAYS PRESSURIZED - MUST MAINTAIN EQUAL LENGTH AND DIAMETER
- (F) AP24636 HOSE ASSY HWH02HP x 84" CAP END - MUST MAINTAIN EQUAL LENGTH AND DIAMETER



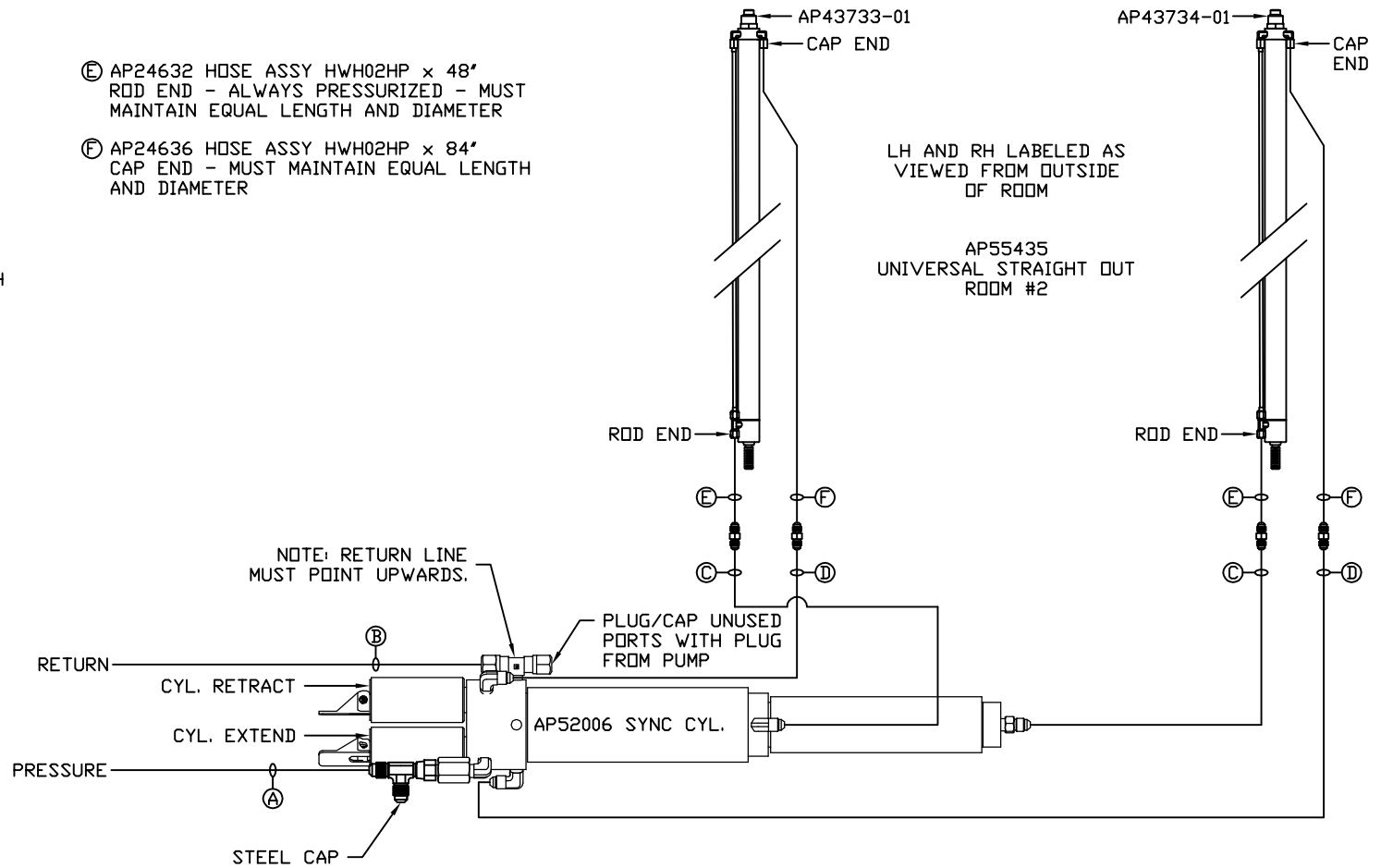
NOTE: INSTALLATION MUST CONFORM TO GOOD SHOP PRACTICES, SAE STANDARDS, RVIA STANDARDS, AND OTHER APPLICABLE STANDARDS.

MP71186 B/C
30JUL18

NOTE: HOSES (E) AND (F) ARE INCLUDED WITH THE ROOM EXTENSION MECHANISM

- (A) AP4074 HOSE ASSY 04 x 108" PRESSURE
- (B) P53885 TUBING NYLON 3/8" x 108" RETURN
- (C) AP49244 HOSE ASSY 03 x 108" ROD END - ALWAYS PRESSURIZED - MUST MAINTAIN EQUAL LENGTH AND DIAMETER
- (D) AP49244 HOSE ASSY 03 x 108" CAP END - MUST MAINTAIN EQUAL LENGTH AND DIAMETER

- (E) AP24632 HOSE ASSY HWH02HP x 48" ROD END - ALWAYS PRESSURIZED - MUST MAINTAIN EQUAL LENGTH AND DIAMETER
- (F) AP24636 HOSE ASSY HWH02HP x 84" CAP END - MUST MAINTAIN EQUAL LENGTH AND DIAMETER



NOTE: INSTALLATION MUST CONFORM TO GOOD SHOP PRACTICES, SAE STANDARDS, RVIA STANDARDS, AND OTHER APPLICABLE STANDARDS.

MP71186 C/C
30JUL18