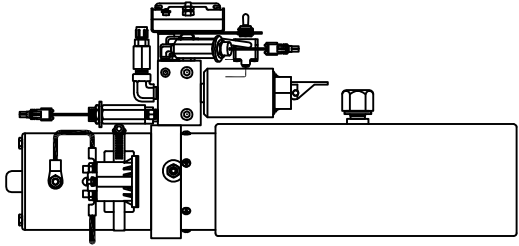
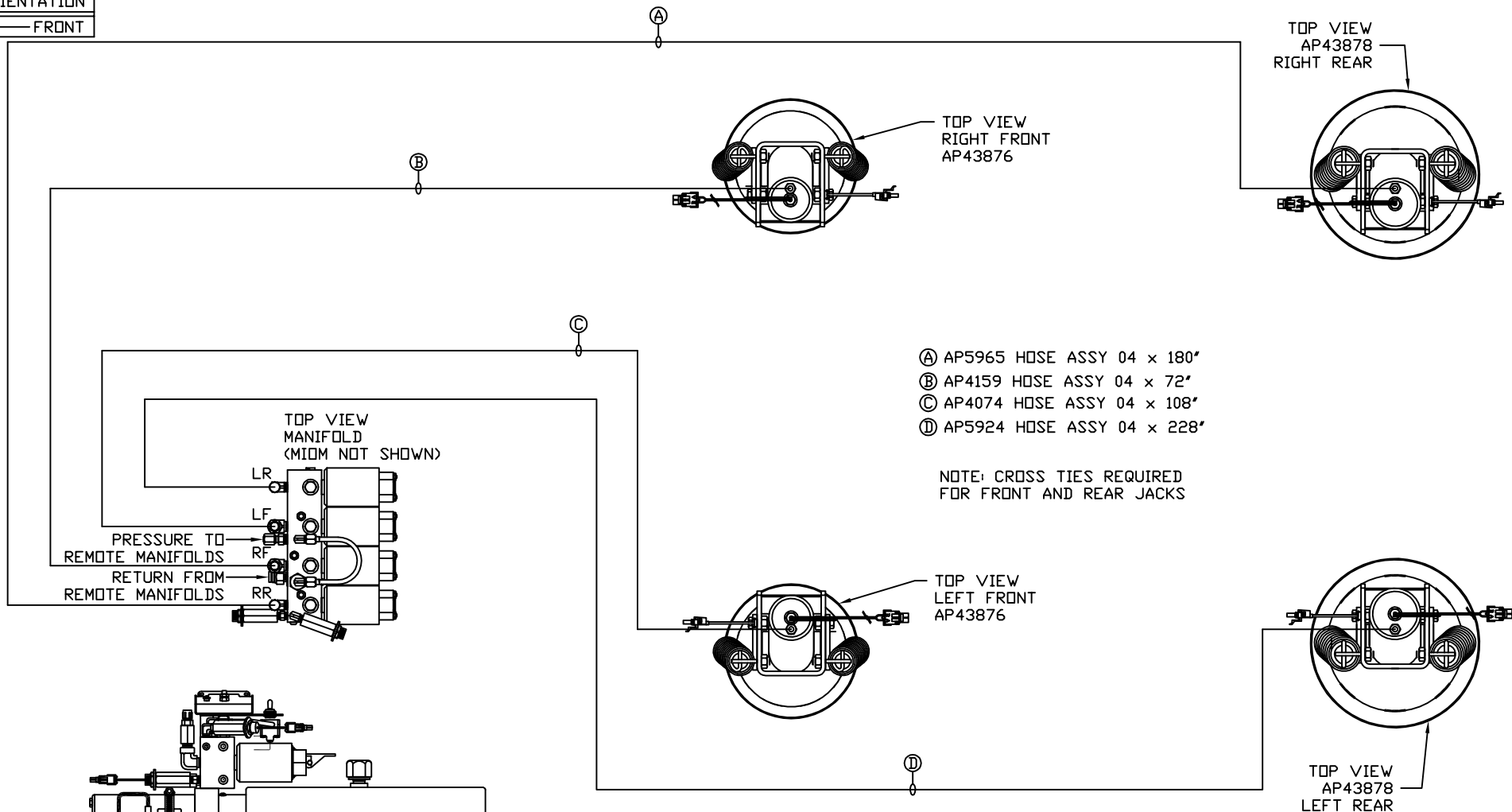


ORIENTATION
← FRONT



SIDE VIEW PUMP/MANIFOLD-AP58661

LOCATION AND ORIENTATION OF
PUMP/MANIFOLD ASSEMBLY WILL
DIFFER DEPENDING UPON O.E.M.

NOTE: INSTALLATION MUST CONFORM TO GOOD SHOP PRACTICES, SAE
STANDARDS, RVIA STANDARDS, AND OTHER APPLICABLE STANDARDS.

LEVELING SYSTEM: AP59203

1	10AUG18	UPDATED STEP MECHANISM
NO.	DATE	REVISION

THE INFORMATION DISCLOSED ON THIS DRAWING IS CONFIDENTIAL AND MUST NOT BE DISCLOSED OR USED IN ANY MANNER WHICH WILL BE DETRIMENTAL TO THE HWH CORPORATION

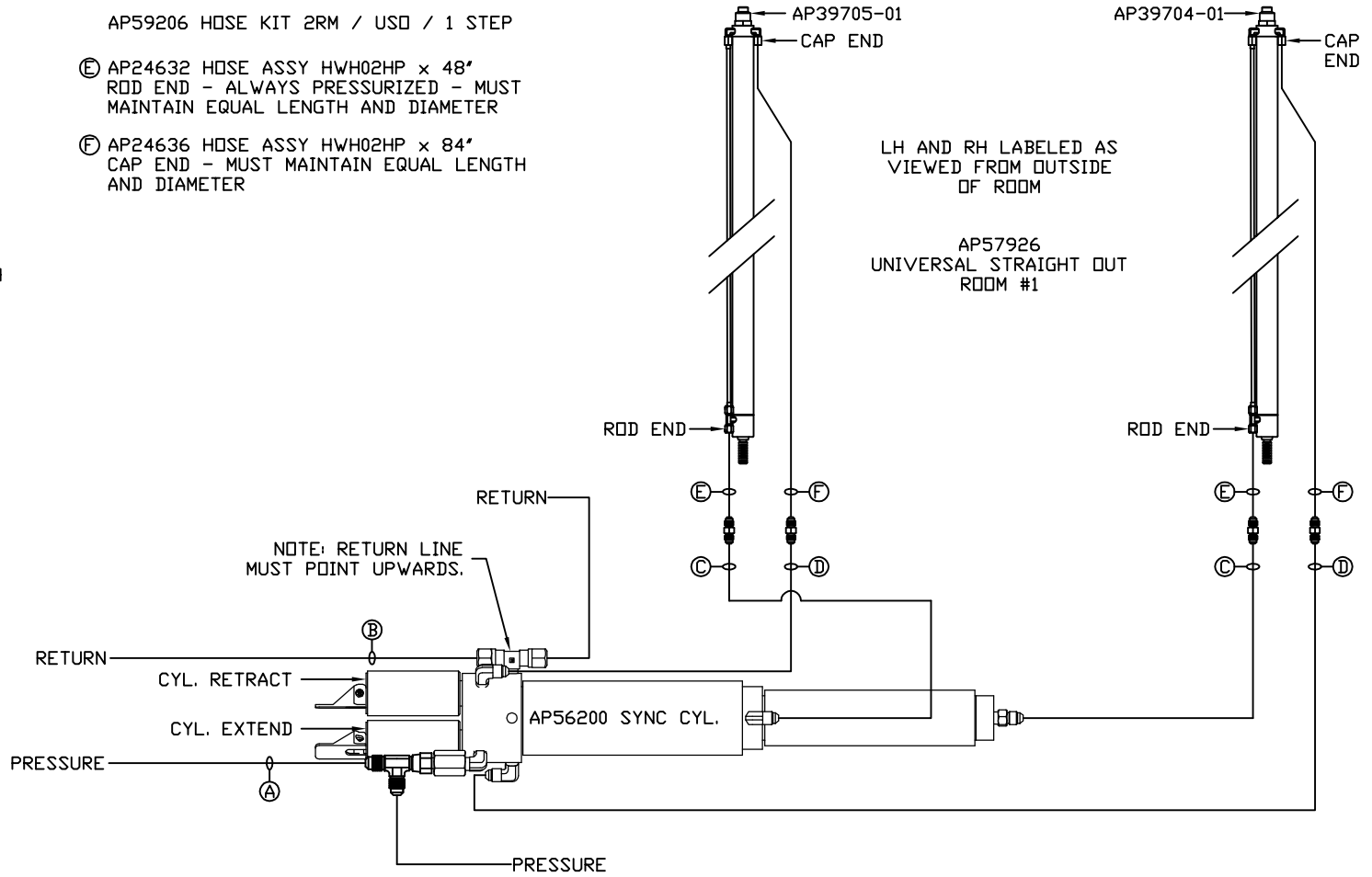
HWH			I-80 EXIT 267 SOUTH RT 1 MOSCOW, IOWA 52760		
SCALE 1:6	DATE 28JUN18	DRAWN BY .			
HYD CONN DIAGRAM					
ALEPH				DRAWING NUMBER MP71188 A/D	

NOTE: HOSES (E) AND (F) ARE INCLUDED WITH THE ROOM EXTENSION MECHANISM

- (A) AP5924 HOSE ASSY 04 x 228' PRESSURE
- (B) P53886 TUBING NYLON 3/8" x 240' RETURN
- (C) AP49244 HOSE ASSY 03 x 108' ROD END - ALWAYS PRESSURIZED - MUST MAINTAIN EQUAL LENGTH AND DIAMETER
- (D) AP53964 HOSE ASSY 04 x 114' CAP END - MUST MAINTAIN EQUAL LENGTH AND DIAMETER

AP59206 HOSE KIT 2RM / USD / 1 STEP

- (E) AP24632 HOSE ASSY HWH02HP x 48' ROD END - ALWAYS PRESSURIZED - MUST MAINTAIN EQUAL LENGTH AND DIAMETER
- (F) AP24636 HOSE ASSY HWH02HP x 84' CAP END - MUST MAINTAIN EQUAL LENGTH AND DIAMETER



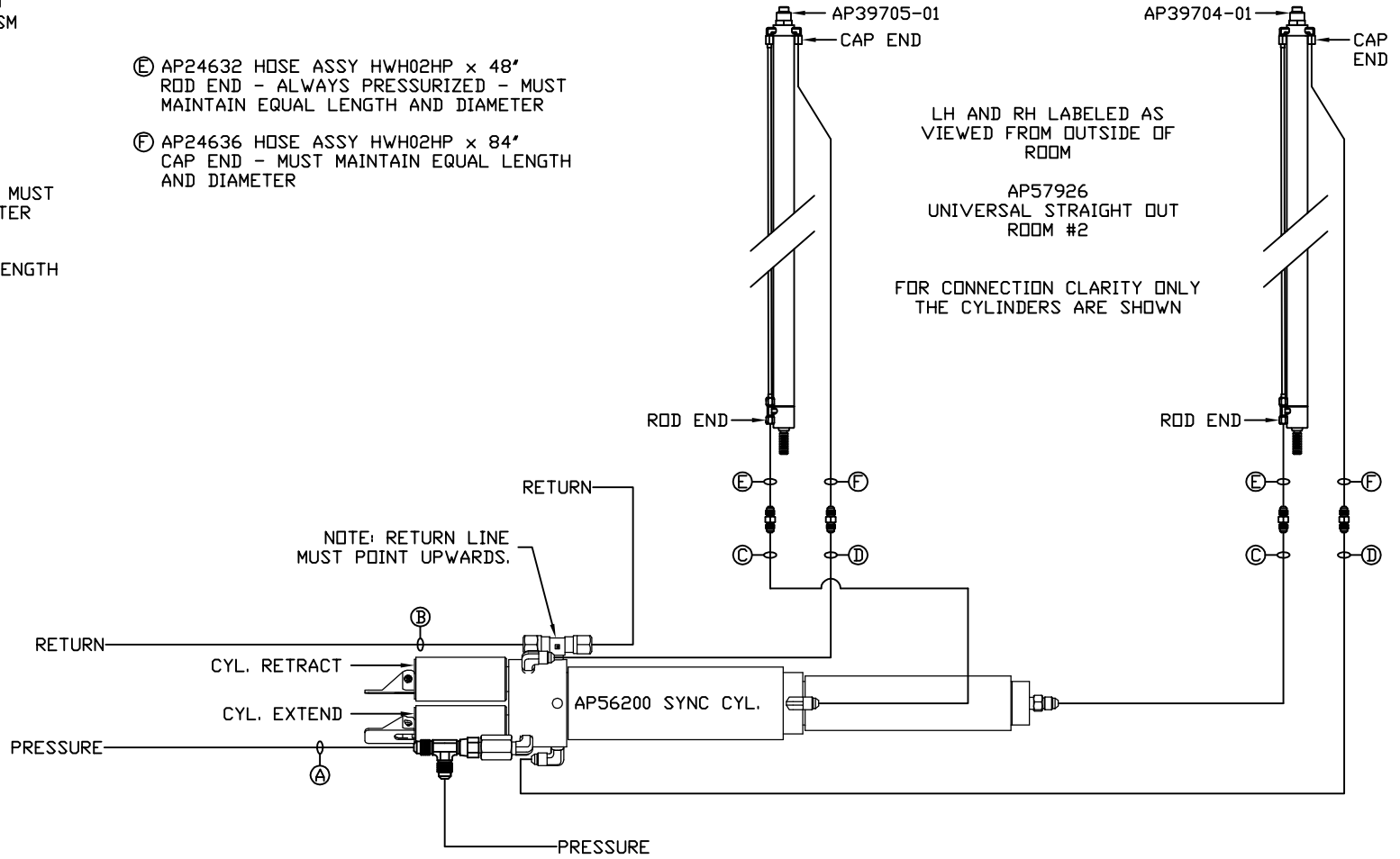
NOTE: INSTALLATION MUST CONFORM TO GOOD SHOP PRACTICES, SAE STANDARDS, RVIA STANDARDS, AND OTHER APPLICABLE STANDARDS.

MP71188 B/D
28JUN18

NOTE: HOSES (E) AND (F) ARE INCLUDED WITH THE ROOM EXTENSION MECHANISM

- (A) AP5352 HOSE ASSY 04 x 96" PRESSURE
- (B) P5254 TUBING NYLON 3/8" x 96" RETURN
- (C) AP49244 HOSE ASSY 03 x 108" ROD END - ALWAYS PRESSURIZED - MUST MAINTAIN EQUAL LENGTH AND DIAMETER
- (D) AP53964 HOSE ASSY 04 x 114" CAP END - MUST MAINTAIN EQUAL LENGTH AND DIAMETER

- (E) AP24632 HOSE ASSY HWH02HP x 48" ROD END - ALWAYS PRESSURIZED - MUST MAINTAIN EQUAL LENGTH AND DIAMETER
- (F) AP24636 HOSE ASSY HWH02HP x 84" CAP END - MUST MAINTAIN EQUAL LENGTH AND DIAMETER



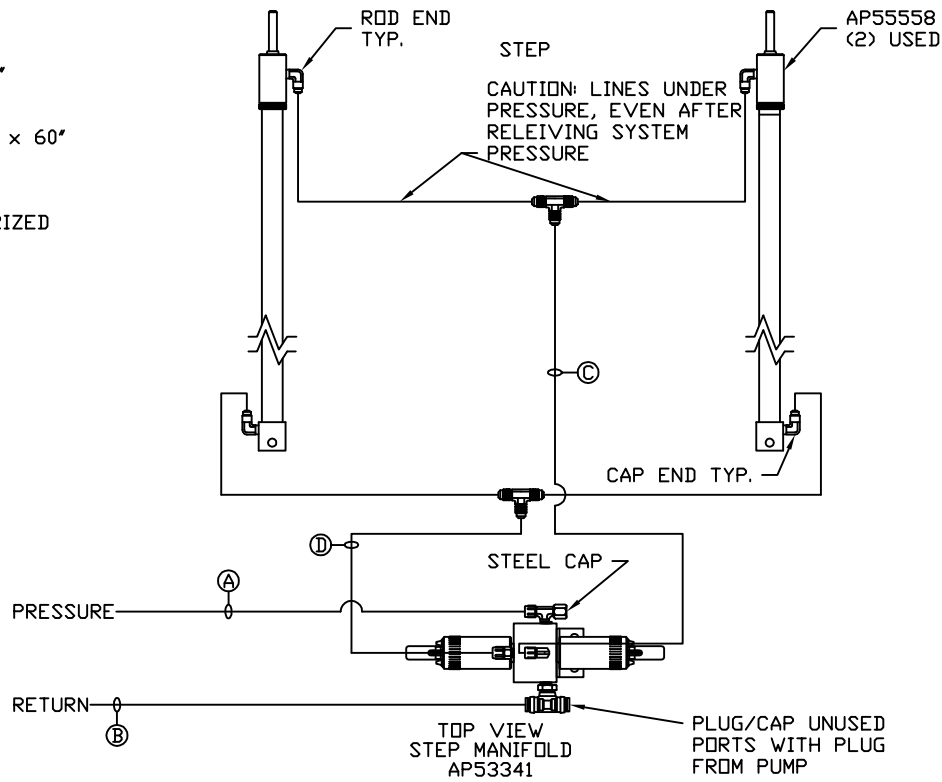
NOTE: INSTALLATION MUST CONFORM TO GOOD SHOP PRACTICES, SAE STANDARDS, RVIA STANDARDS, AND OTHER APPLICABLE STANDARDS.

MP71188 C/D
28JUN18

ORIENTATION

← FRONT

- Ⓐ AP4073 HOSE ASSY 04 x 60' PRESSURE
- Ⓑ P53884 3/8" NYLON TUBING x 60' RETURN
- Ⓒ HOSE ASSY 04 ROD END - ALWAYS PRESSURIZED
- Ⓓ HOSE ASSY 04 CAP END



NOTE: INSTALLATION MUST CONFORM TO GOOD SHOP PRACTICES, SAE STANDARDS, RVIA STANDARDS, AND OTHER APPLICABLE STANDARDS.