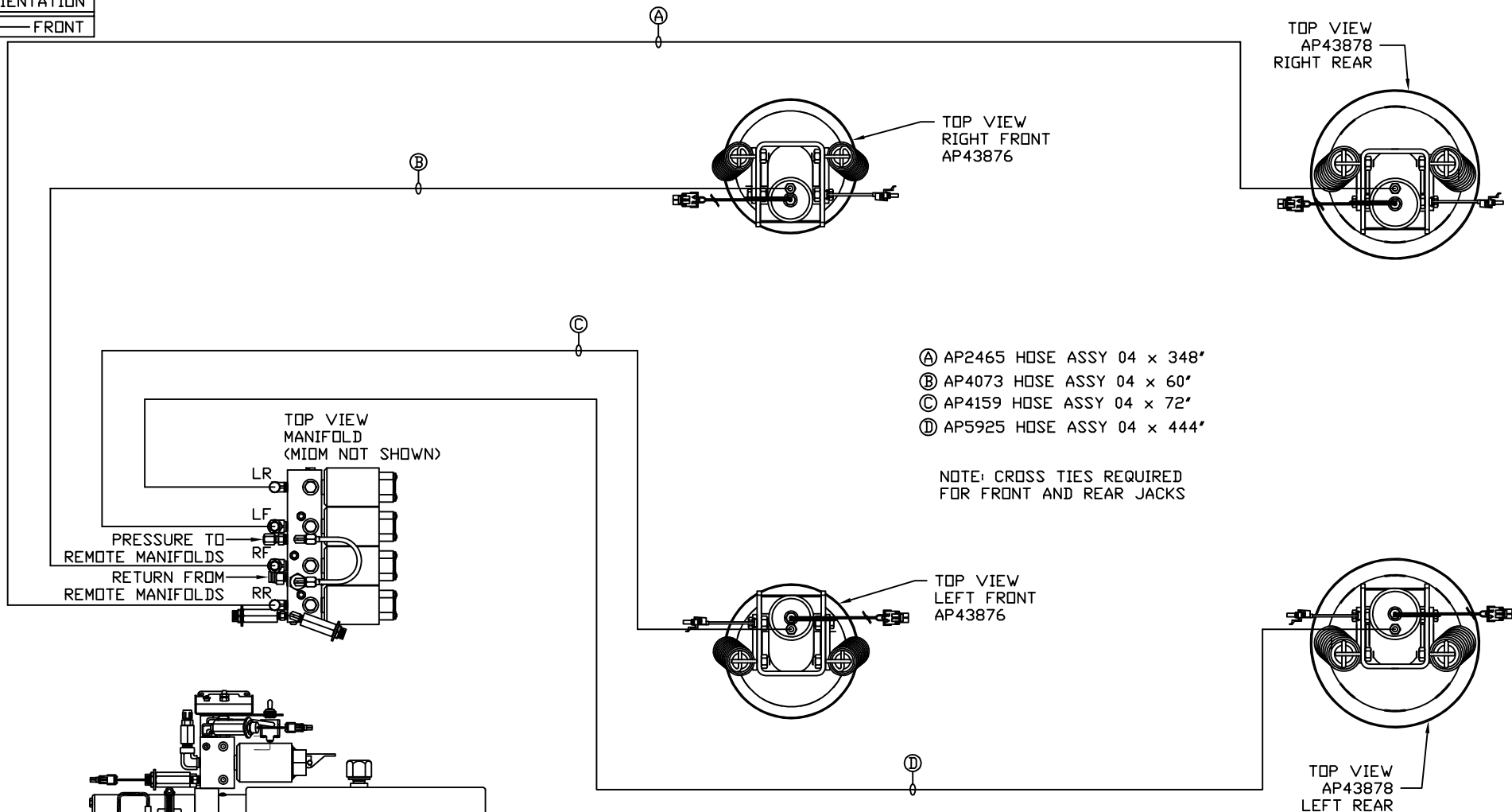


ORIENTATION
← FRONT



- Ⓐ AP2465 HOSE ASSY 04 x 348"
- Ⓑ AP4073 HOSE ASSY 04 x 60"
- Ⓒ AP4159 HOSE ASSY 04 x 72"
- Ⓓ AP5925 HOSE ASSY 04 x 444"

NOTE: CROSS TIES REQUIRED FOR FRONT AND REAR JACKS

SIDE VIEW PUMP/MANIFOLD-AP58661

LOCATION AND ORIENTATION OF PUMP/MANIFOLD ASSEMBLY WILL DIFFER DEPENDING UPON O.E.M.

NOTE: INSTALLATION MUST CONFORM TO GOOD SHOP PRACTICES, SAE STANDARDS, RVIA STANDARDS, AND OTHER APPLICABLE STANDARDS.

LEVELING SYSTEM: AP58756

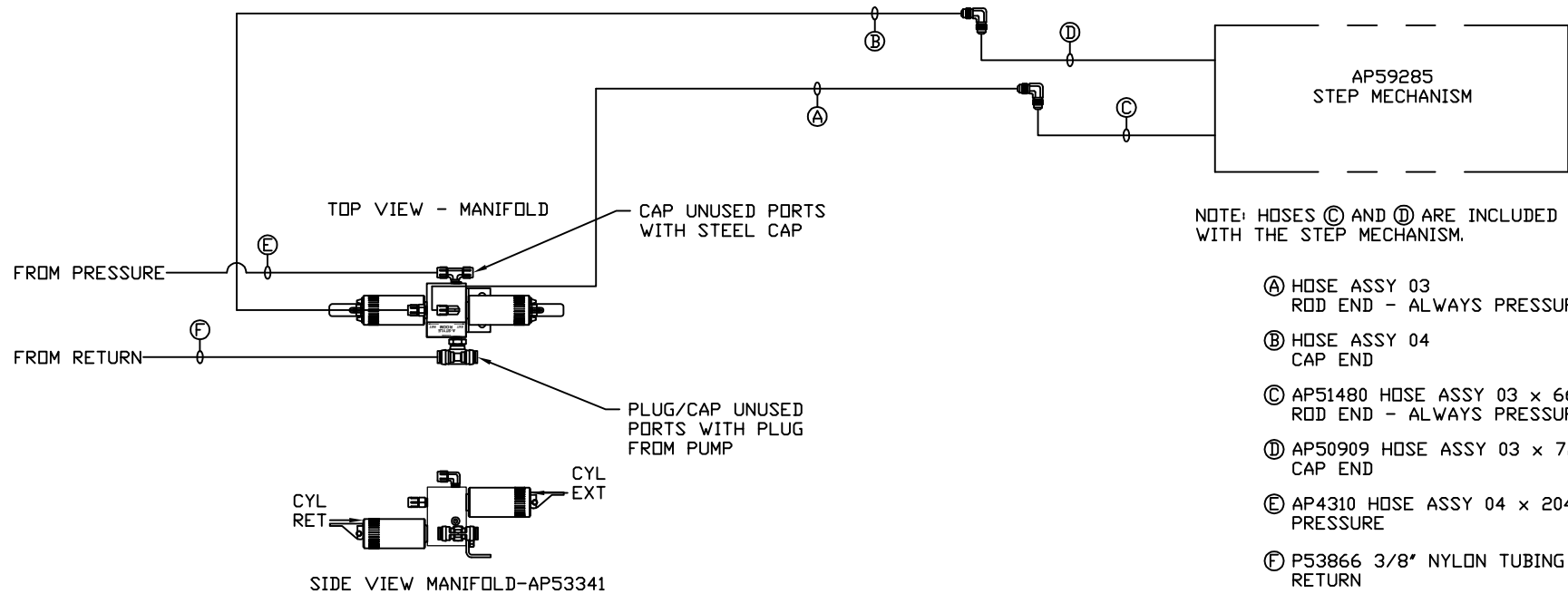
1	10AUG18	UPDATED STEP MECHANISM
NO.	DATE	REVISION

THE INFORMATION DISCLOSED ON THIS DRAWING IS CONFIDENTIAL AND MUST NOT BE DISCLOSED OR USED IN ANY MANNER WHICH WILL BE DETRIMENTAL TO THE HWH CORPORATION

HWH			I-80 EXIT 267 SOUTH RT 1 MOSCOW, IOWA 52760		
SCALE 1:6	DATE 13JUL18	DRAWN BY .			
HYD CONN DIAGRAM					
ALEPH				DRAWING NUMBER MP71190 A/B	

ORIENTATION

← FRONT



NOTE: HOSES (C) AND (D) ARE INCLUDED WITH THE STEP MECHANISM.

- (A) HOSE ASSY 03
ROD END - ALWAYS PRESSURIZED
 - (B) HOSE ASSY 04
CAP END
 - (C) AP51480 HOSE ASSY 03 x 66"
ROD END - ALWAYS PRESSURIZED
 - (D) AP50909 HOSE ASSY 03 x 72"
CAP END
 - (E) AP4310 HOSE ASSY 04 x 204'
PRESSURE
 - (F) P53866 3/8" NYLON TUBING x 240'
RETURN
- AP58758 HOSE KIT 1STP

NOTE: INSTALLATION MUST CONFORM TO GOOD SHOP PRACTICES, SAE STANDARDS, RVIA STANDARDS, AND OTHER APPLICABLE STANDARDS.