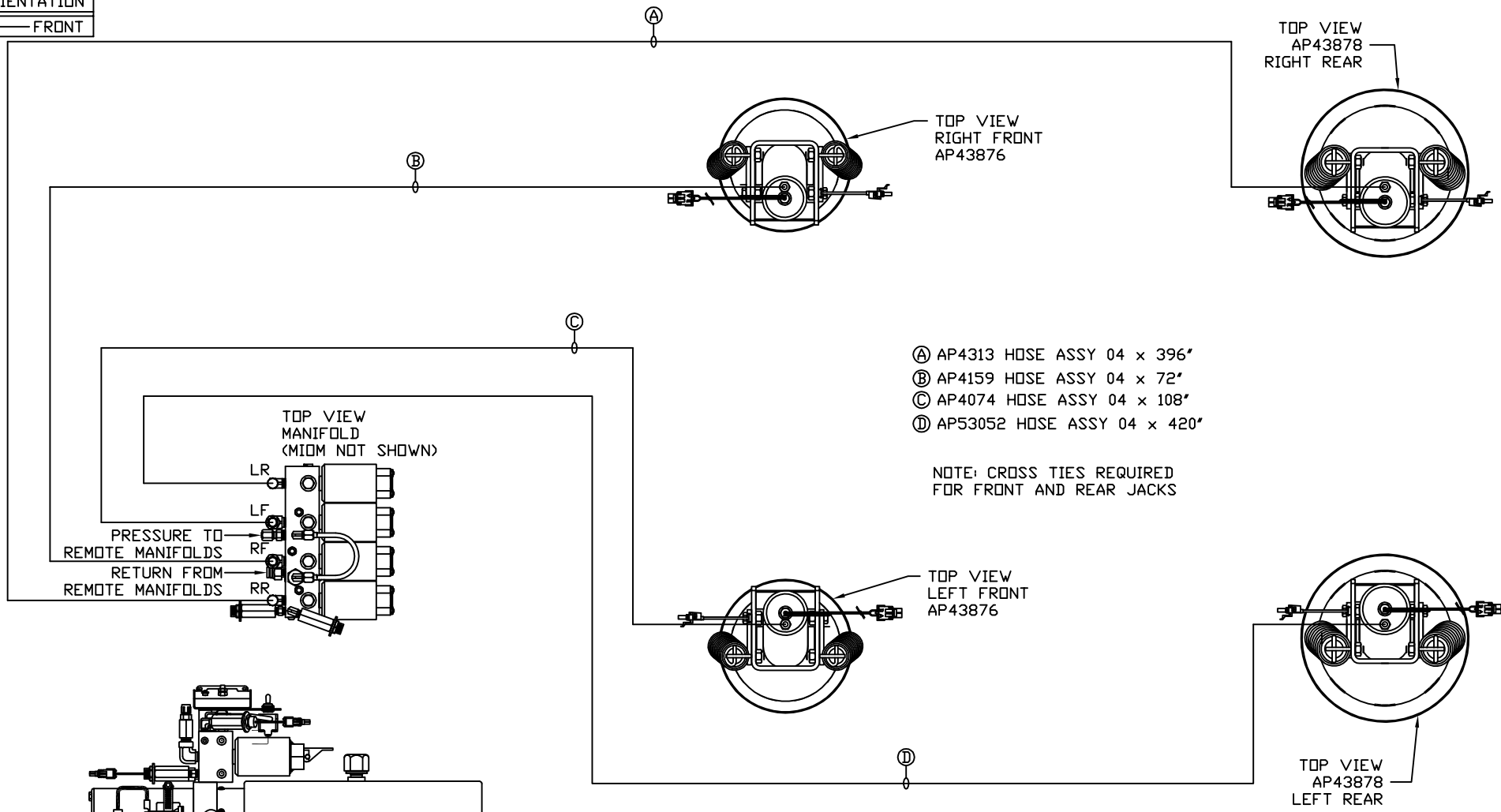


ORIENTATION
← FRONT



NOTE: INSTALLATION MUST CONFORM TO GOOD SHOP PRACTICES, SAE STANDARDS, RVIA STANDARDS, AND OTHER APPLICABLE STANDARDS.

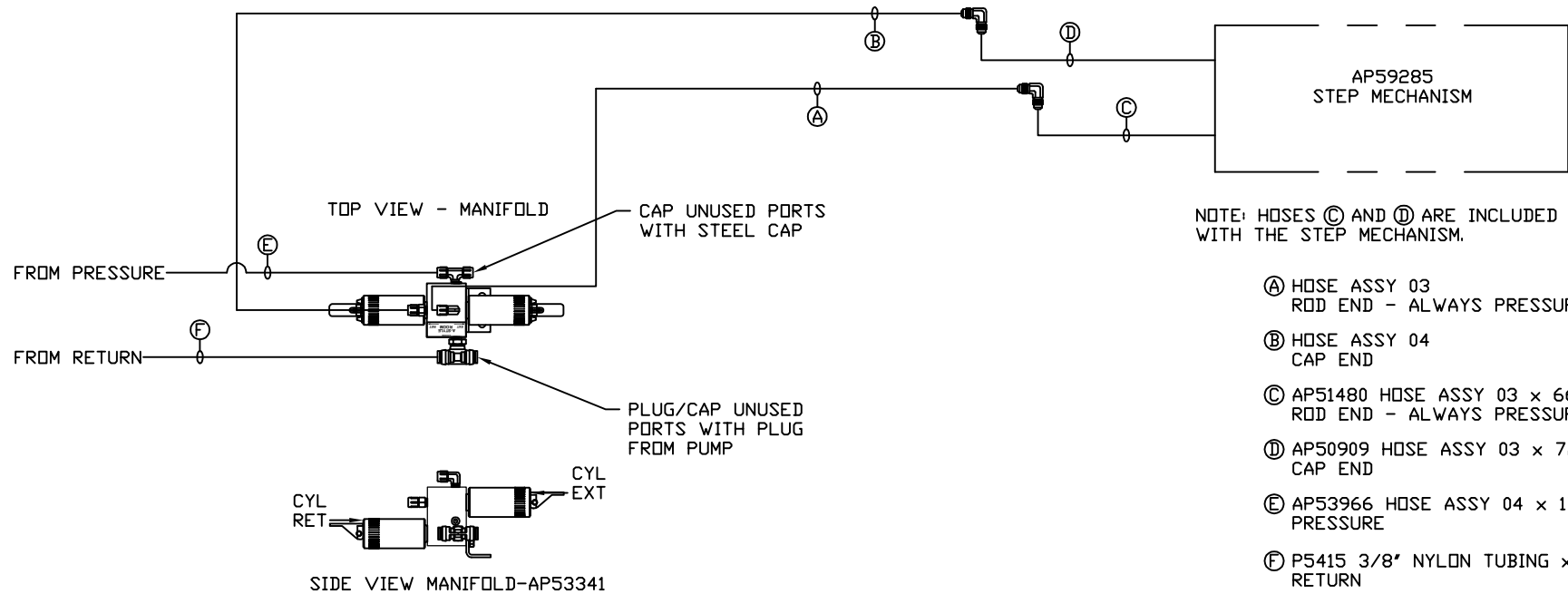
LEVELING SYSTEM: AP59256

1	10AUG18	UPDATED STEP MECHANISM
NO.	DATE	REVISION

THE INFORMATION DISCLOSED ON THIS DRAWING IS CONFIDENTIAL AND MUST NOT BE DISCLOSED OR USED IN ANY MANNER WHICH WILL BE DETRIMENTAL TO THE HWH CORPORATION

HWH			I-80 EXIT 267 SOUTH RT 1 MOSCOW, IOWA 52760		
SCALE 1:6	DATE 13JUL18	DRAWN BY .			
HYD CONN DIAGRAM					
ALEPH				DRAWING NUMBER MP71191 A/C	

ORIENTATION
 ← FRONT



NOTE: HOSES (C) AND (D) ARE INCLUDED WITH THE STEP MECHANISM.

- (A) HOSE ASSY 03
ROD END - ALWAYS PRESSURIZED
 - (B) HOSE ASSY 04
CAP END
 - (C) AP51480 HOSE ASSY 03 x 66"
ROD END - ALWAYS PRESSURIZED
 - (D) AP50909 HOSE ASSY 03 x 72"
CAP END
 - (E) AP53966 HOSE ASSY 04 x 174"
PRESSURE
 - (F) P5415 3/8" NYLON TUBING x 180"
RETURN
- AP59258 HOSE KIT 1RM/USD/1STP

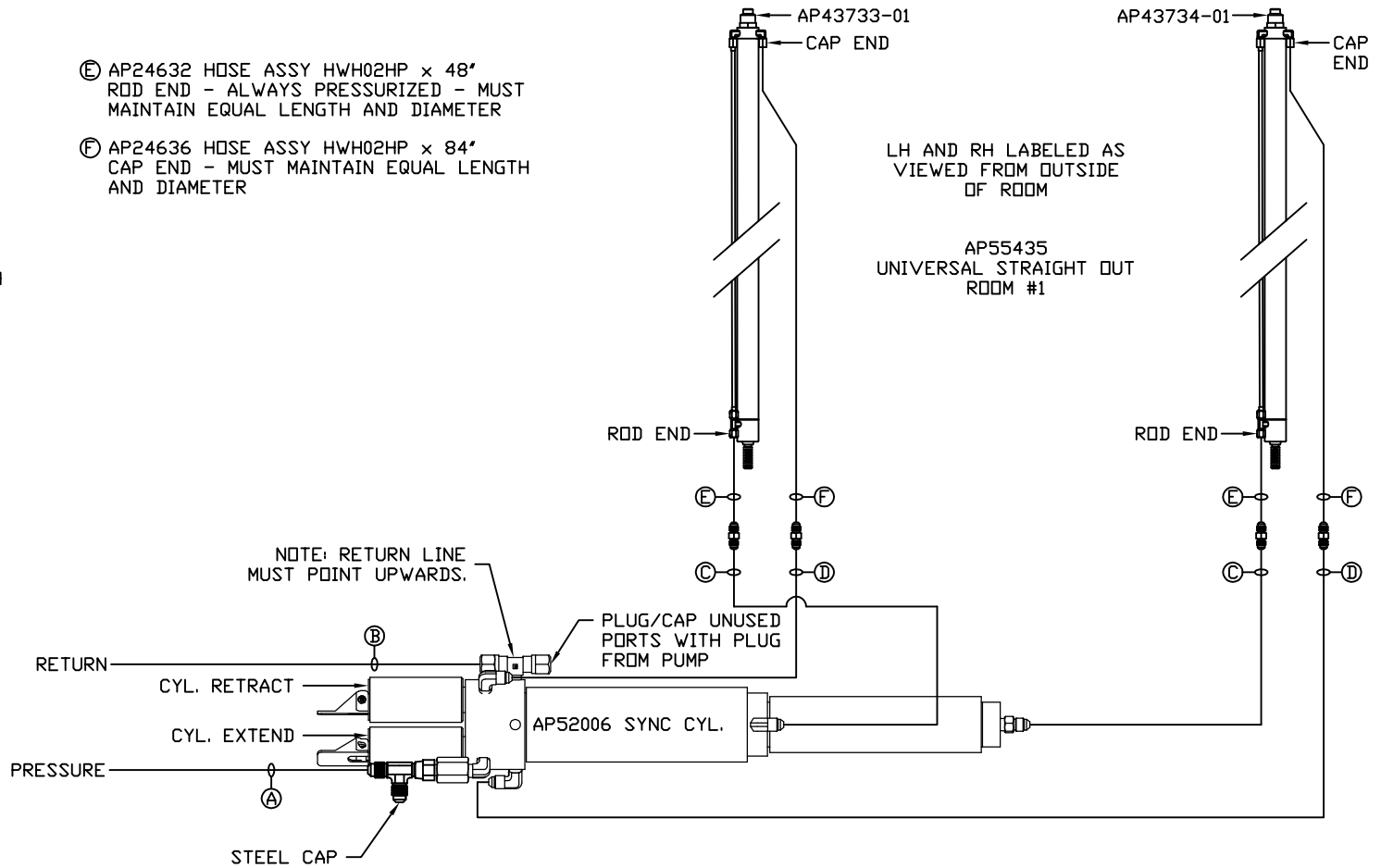
NOTE: INSTALLATION MUST CONFORM TO GOOD SHOP PRACTICES, SAE STANDARDS, RVIA STANDARDS, AND OTHER APPLICABLE STANDARDS.

MP71191 B/C
 10AUG18

NOTE: HOSES (E) AND (F) ARE INCLUDED WITH THE ROOM EXTENSION MECHANISM

- (A) AP4061 HOSE ASSY 04 x 216' PRESSURE
- (B) P53886 TUBING NYLON 3/8" x 240' RETURN
- (C) AP49244 HOSE ASSY 03 x 108' ROD END - ALWAYS PRESSURIZED - MUST MAINTAIN EQUAL LENGTH AND DIAMETER
- (D) AP53964 HOSE ASSY 04 x 114' CAP END - MUST MAINTAIN EQUAL LENGTH AND DIAMETER

- (E) AP24632 HOSE ASSY HWH02HP x 48' ROD END - ALWAYS PRESSURIZED - MUST MAINTAIN EQUAL LENGTH AND DIAMETER
- (F) AP24636 HOSE ASSY HWH02HP x 84' CAP END - MUST MAINTAIN EQUAL LENGTH AND DIAMETER



NOTE: INSTALLATION MUST CONFORM TO GOOD SHOP PRACTICES, SAE STANDARDS, RVIA STANDARDS, AND OTHER APPLICABLE STANDARDS.

MP71191 C/C
13JUL18