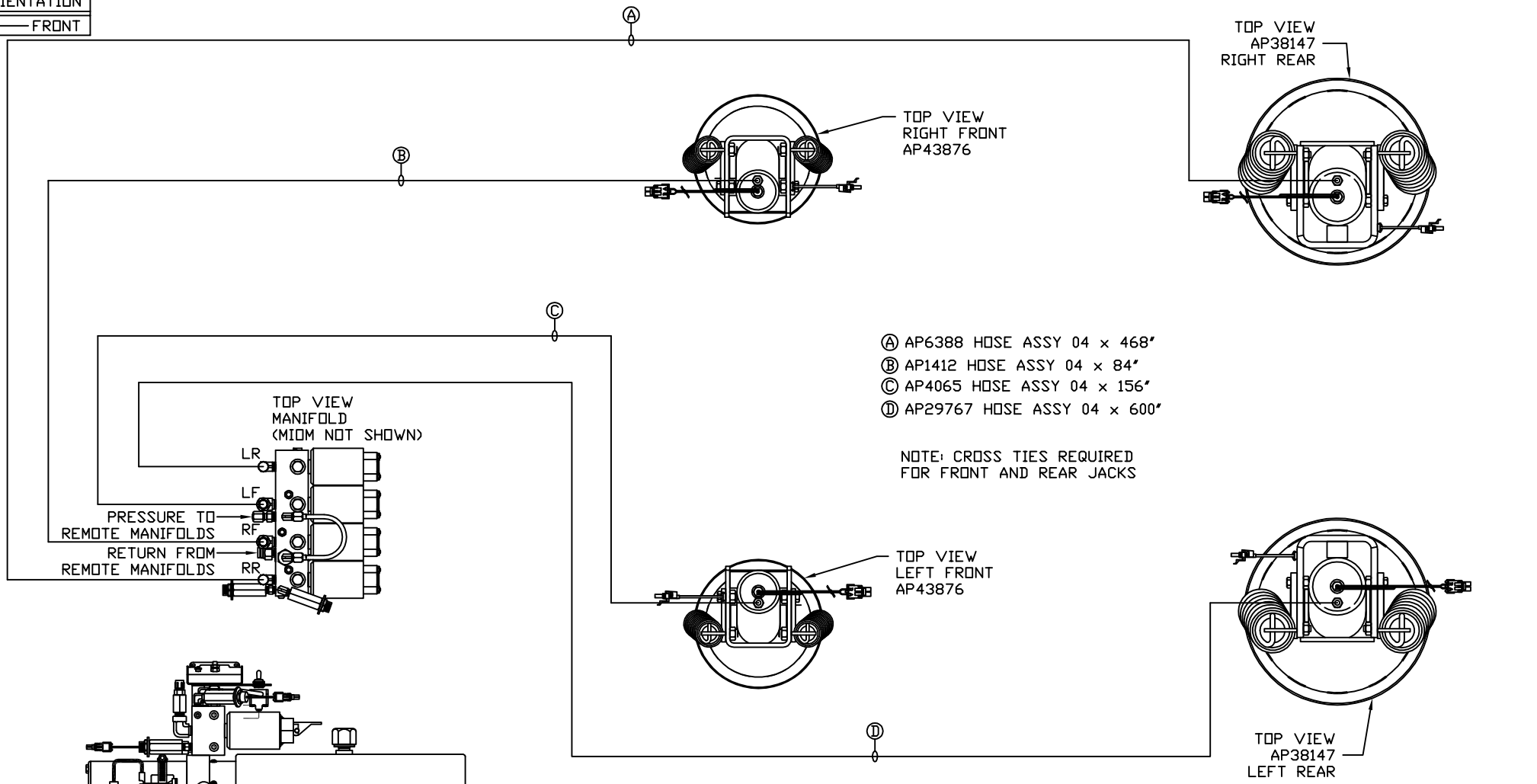
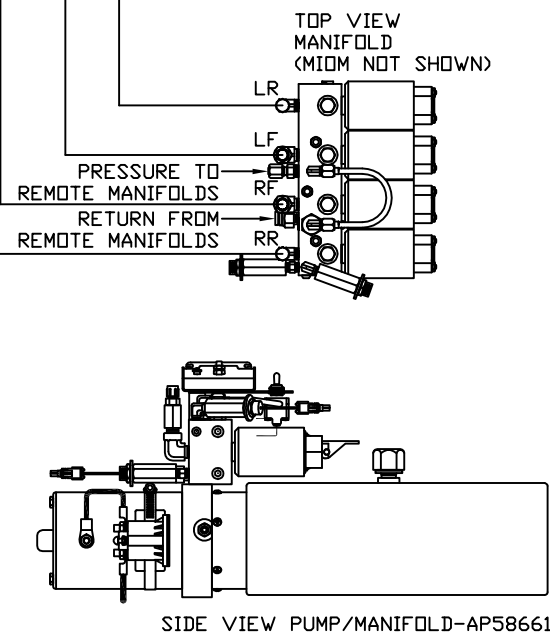


ORIENTATION
← FRONT



- Ⓐ AP6388 HOSE ASSY 04 x 468"
- Ⓑ AP1412 HOSE ASSY 04 x 84"
- Ⓒ AP4065 HOSE ASSY 04 x 156"
- Ⓓ AP29767 HOSE ASSY 04 x 600"

NOTE: CROSS TIES REQUIRED FOR FRONT AND REAR JACKS



LOCATION AND ORIENTATION OF PUMP/MANIFOLD ASSEMBLY WILL DIFFER DEPENDING UPON O.E.M.

NOTE: INSTALLATION MUST CONFORM TO GOOD SHOP PRACTICES, SAE STANDARDS, RVIA STANDARDS, AND OTHER APPLICABLE STANDARDS.

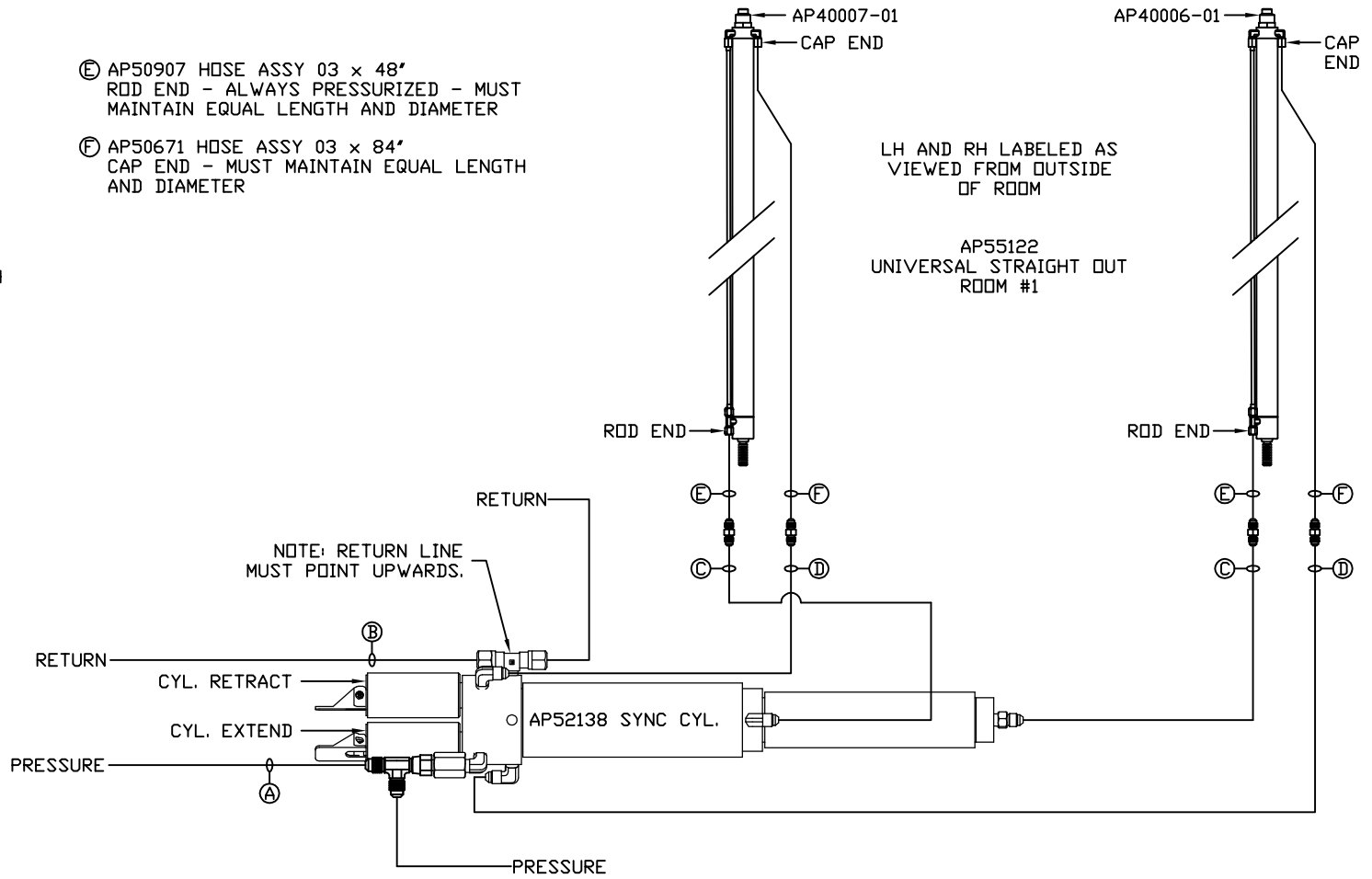
LEVELING SYSTEM: AP60091

		HWH		I-80 EXIT 267 SOUTH RT 1 MOSCOW, IOWA 52760	
		SCALE 1:6	DATE 08MAY19	DRAWN BY .	
		HYD CONN DIAGRAM			
NO.	DATE	REVISION			
		ALEPH		DRAWING NUMBER MP71213 A/E	
<p>THE INFORMATION DISCLOSED ON THIS DRAWING IS CONFIDENTIAL AND MUST NOT BE DISCLOSED OR USED IN ANY MANNER WHICH WILL BE DETRIMENTAL TO THE HWH CORPORATION</p>					

NOTE: HOSES (E) AND (F) ARE INCLUDED WITH THE ROOM EXTENSION MECHANISM

- (A) HOSE ASSY 04
PRESSURE
- (B) TUBING NYLON 3/8"
RETURN
- (C) HOSE ASSY 03
ROD END - ALWAYS PRESSURIZED - MUST MAINTAIN EQUAL LENGTH AND DIAMETER
- (D) HOSE ASSY 04
CAP END - MUST MAINTAIN EQUAL LENGTH AND DIAMETER

- (E) AP50907 HOSE ASSY 03 x 48"
ROD END - ALWAYS PRESSURIZED - MUST MAINTAIN EQUAL LENGTH AND DIAMETER
- (F) AP50671 HOSE ASSY 03 x 84"
CAP END - MUST MAINTAIN EQUAL LENGTH AND DIAMETER



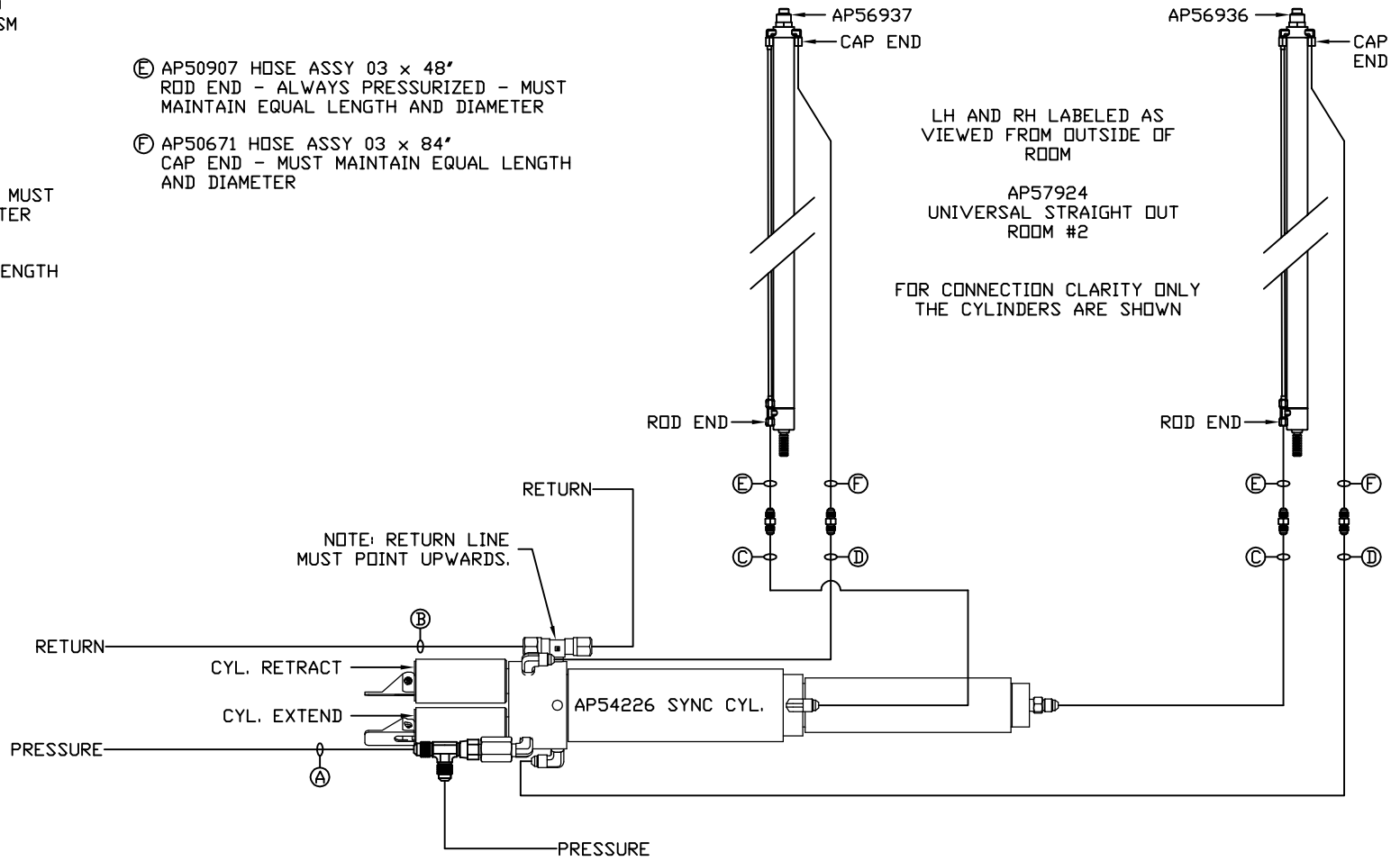
NOTE: INSTALLATION MUST CONFORM TO GOOD SHOP PRACTICES, SAE STANDARDS, RVIA STANDARDS, AND OTHER APPLICABLE STANDARDS.

MP71213 B/E
08MAY19

NOTE: HOSES (E) AND (F) ARE INCLUDED WITH THE ROOM EXTENSION MECHANISM

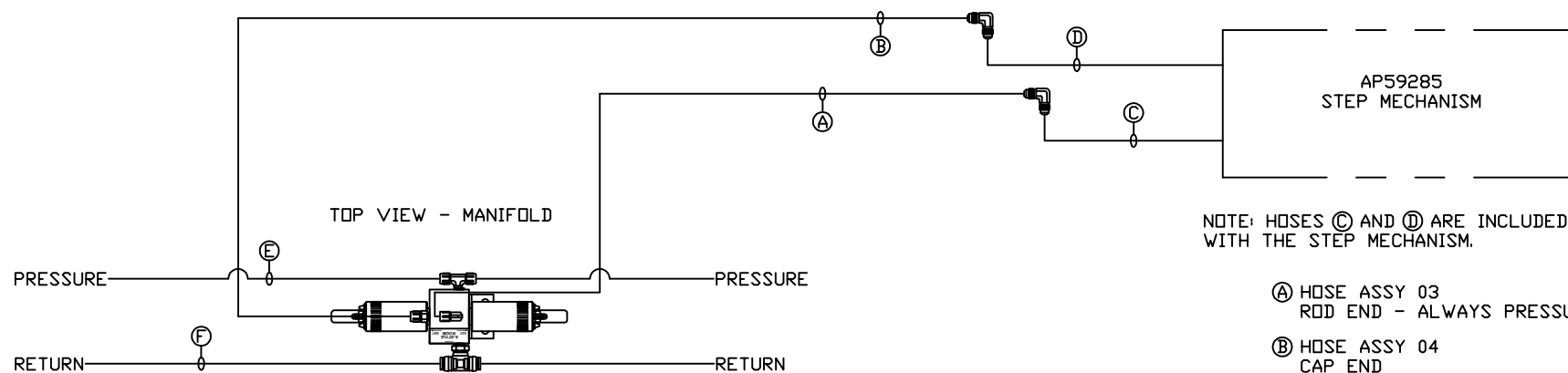
- (A) HOSE ASSY 04
PRESSURE
- (B) TUBING NYLON 3/8"
RETURN
- (C) HOSE ASSY 03
ROD END - ALWAYS PRESSURIZED - MUST MAINTAIN EQUAL LENGTH AND DIAMETER
- (D) HOSE ASSY 04
CAP END - MUST MAINTAIN EQUAL LENGTH AND DIAMETER

- (E) AP50907 HOSE ASSY 03 x 48"
ROD END - ALWAYS PRESSURIZED - MUST MAINTAIN EQUAL LENGTH AND DIAMETER
- (F) AP50671 HOSE ASSY 03 x 84"
CAP END - MUST MAINTAIN EQUAL LENGTH AND DIAMETER



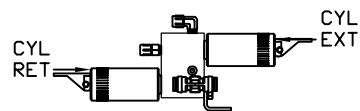
NOTE: INSTALLATION MUST CONFORM TO GOOD SHOP PRACTICES, SAE STANDARDS, RVIA STANDARDS, AND OTHER APPLICABLE STANDARDS.

MP71213 C/E
08MAY19



NOTE: HOSES C AND D ARE INCLUDED WITH THE STEP MECHANISM.

- Ⓐ HOSE ASSY 03
ROD END - ALWAYS PRESSURIZED
- Ⓑ HOSE ASSY 04
CAP END
- Ⓒ AP51480 HOSE ASSY 03 x 66"
ROD END - ALWAYS PRESSURIZED
- Ⓓ AP50909 HOSE ASSY 03 x 72"
CAP END
- Ⓔ HOSE ASSY 04
PRESSURE
- Ⓕ 3/8" NYLON TUBING
RETURN



SIDE VIEW MANIFOLD-AP53341

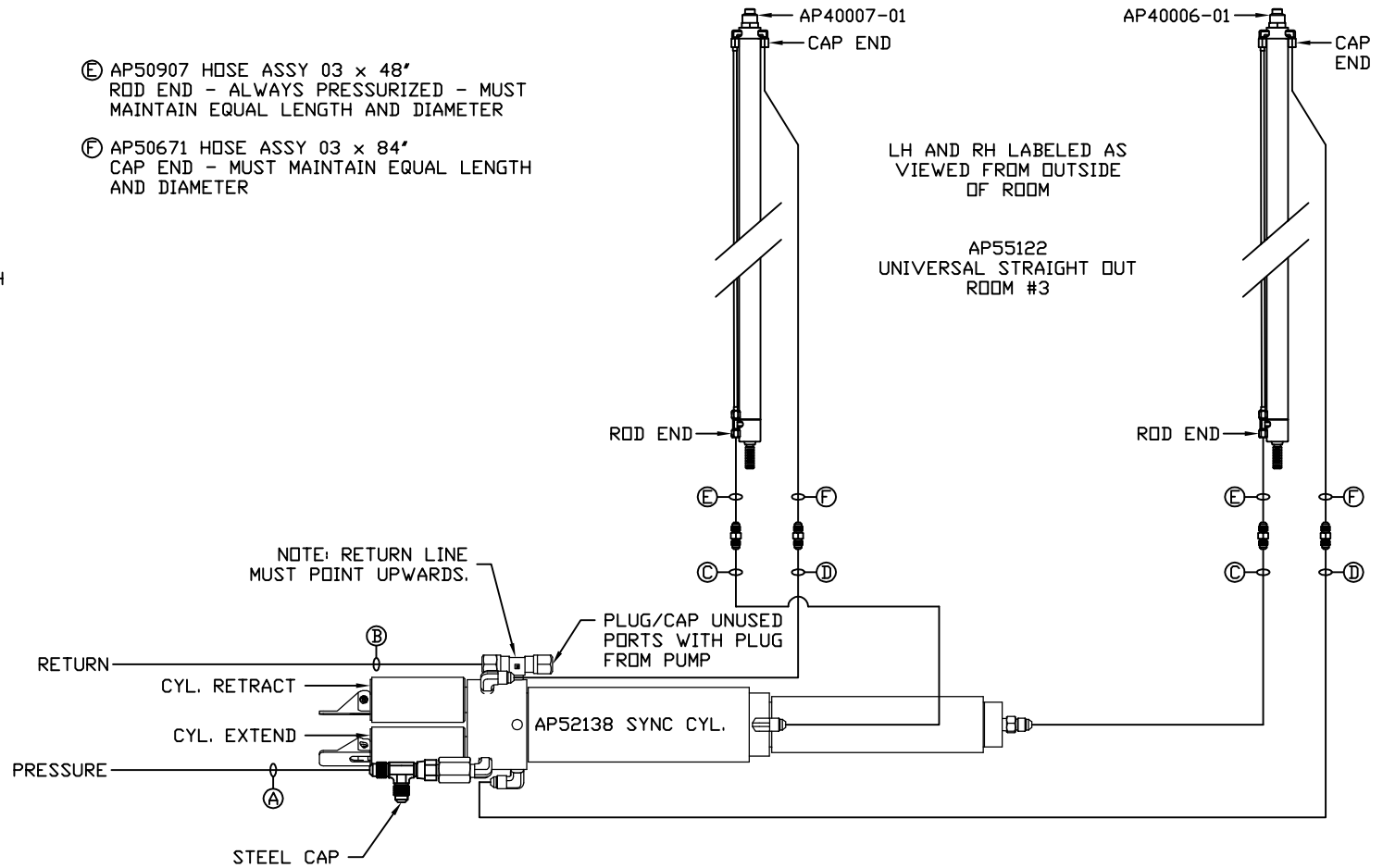
NOTE: INSTALLATION MUST CONFORM TO GOOD SHOP PRACTICES, SAE STANDARDS, RVIA STANDARDS, AND OTHER APPLICABLE STANDARDS.

MP71213 D/E
08MAY19

NOTE: HOSES ⑤ AND ⑥ ARE INCLUDED WITH THE ROOM EXTENSION MECHANISM

- ① HOSE ASSY 04
PRESSURE
- ② TUBING NYLON 3/8"
RETURN
- ③ HOSE ASSY 03
ROD END - ALWAYS PRESSURIZED - MUST MAINTAIN EQUAL LENGTH AND DIAMETER
- ④ HOSE ASSY 04
CAP END - MUST MAINTAIN EQUAL LENGTH AND DIAMETER

- ⑤ AP50907 HOSE ASSY 03 x 48"
ROD END - ALWAYS PRESSURIZED - MUST MAINTAIN EQUAL LENGTH AND DIAMETER
- ⑥ AP50671 HOSE ASSY 03 x 84"
CAP END - MUST MAINTAIN EQUAL LENGTH AND DIAMETER



NOTE: INSTALLATION MUST CONFORM TO GOOD SHOP PRACTICES, SAE STANDARDS, RVIA STANDARDS, AND OTHER APPLICABLE STANDARDS.

MP71213 E/E
08MAY19