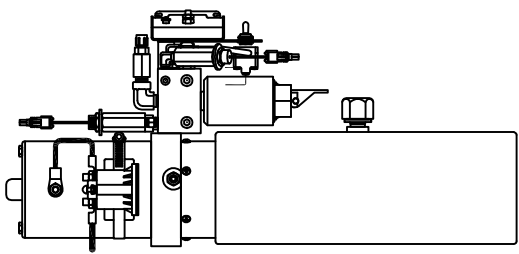
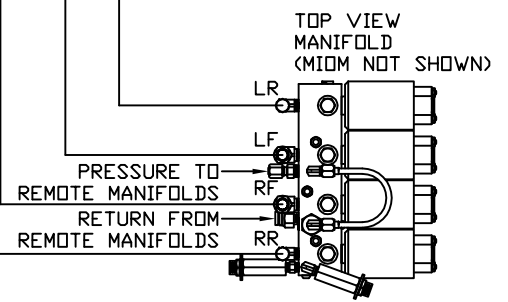
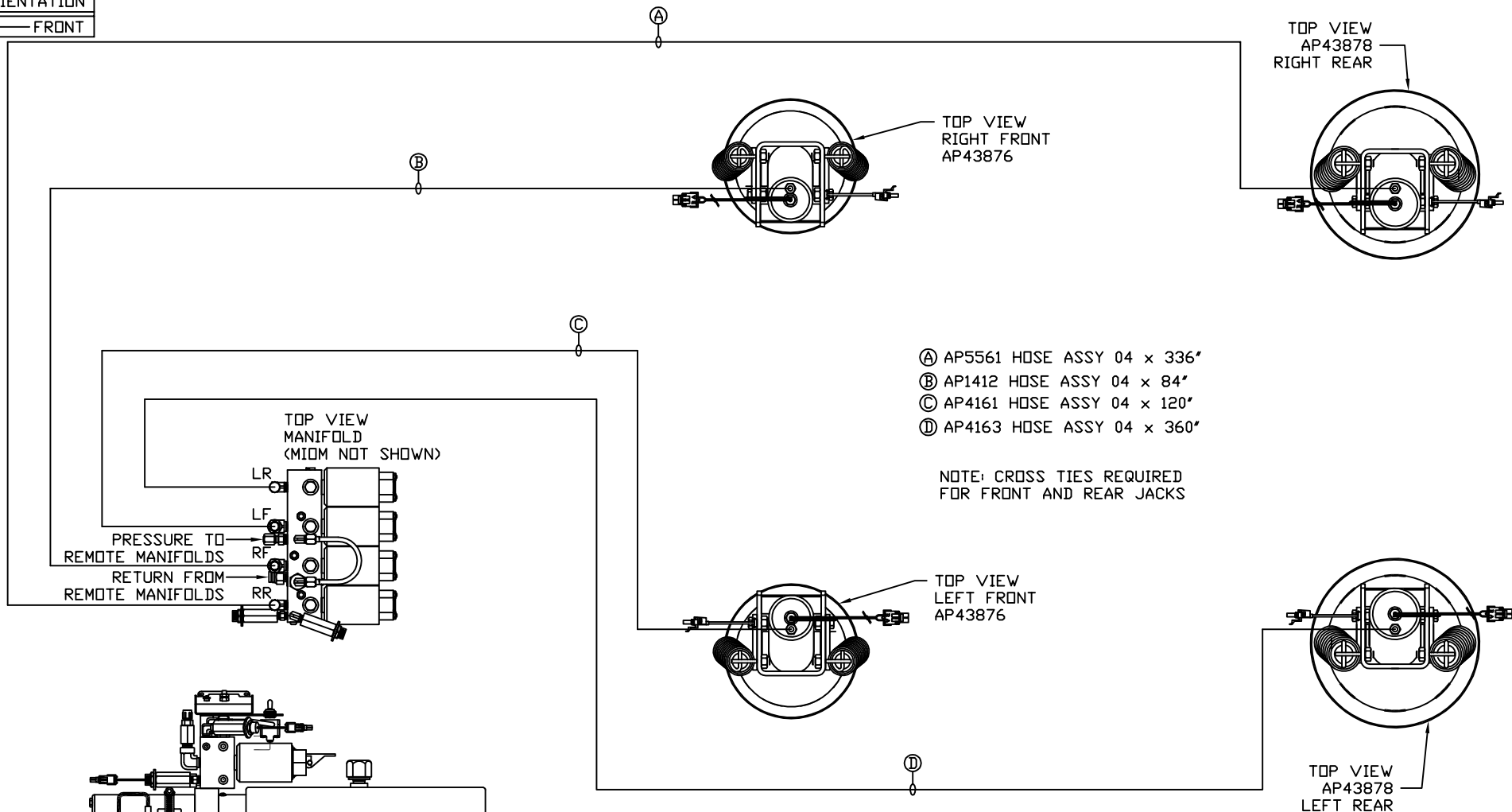


ORIENTATION
← FRONT



SIDE VIEW PUMP/MANIFOLD-AP58661

LOCATION AND ORIENTATION OF PUMP/MANIFOLD ASSEMBLY WILL DIFFER DEPENDING UPON O.E.M.

NOTE: INSTALLATION MUST CONFORM TO GOOD SHOP PRACTICES, SAE STANDARDS, RVIA STANDARDS, AND OTHER APPLICABLE STANDARDS.

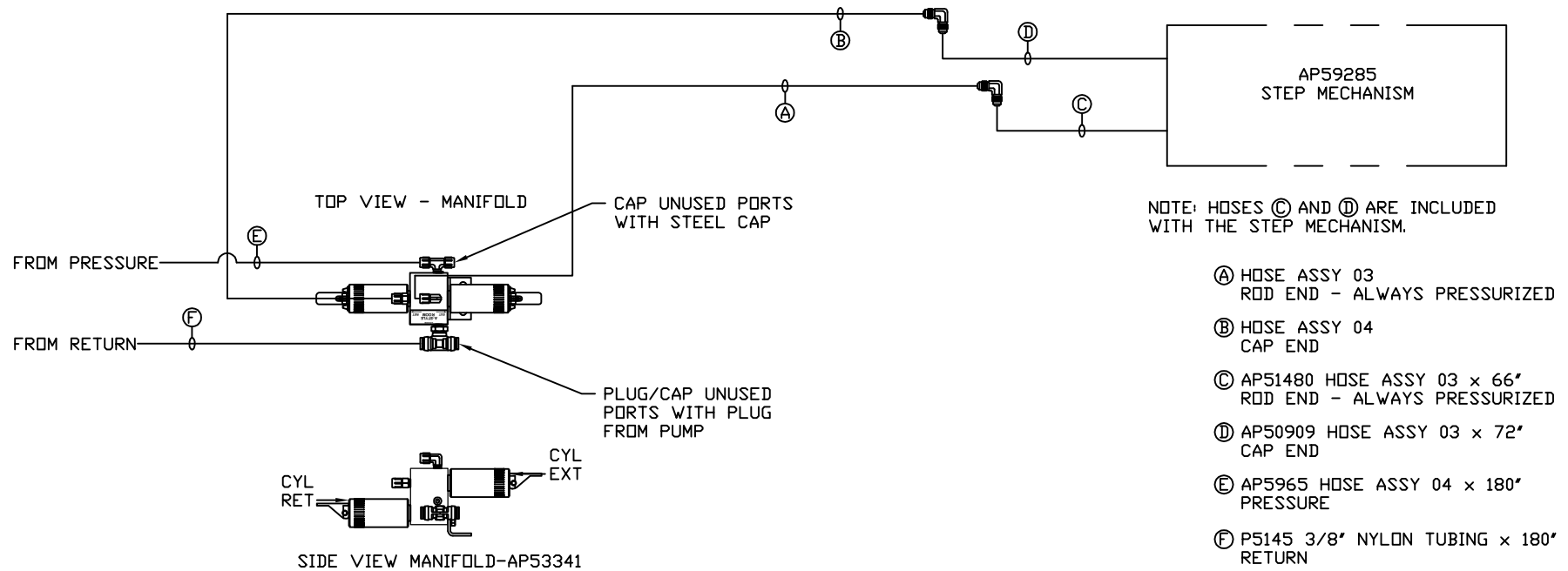
LEVELING SYSTEM: AP59963

- Ⓐ AP5561 HOSE ASSY 04 x 336'
- Ⓑ AP1412 HOSE ASSY 04 x 84'
- Ⓒ AP4161 HOSE ASSY 04 x 120'
- Ⓓ AP4163 HOSE ASSY 04 x 360'

NOTE: CROSS TIES REQUIRED FOR FRONT AND REAR JACKS

		HWH		I-80 EXIT 267 SOUTH RT 1 MOSCOW, IOWA 52760	
		SCALE 1:6	DATE 08MAY19	DRAWN BY .	
		HYD CONN DIAGRAM			
NO.	DATE	REVISION			
		ALEPH		DRAWING NUMBER MP71215 A/C	
THE INFORMATION DISCLOSED ON THIS DRAWING IS CONFIDENTIAL AND MUST NOT BE DISCLOSED OR USED IN ANY MANNER WHICH WILL BE DETRIMENTAL TO THE HWH CORPORATION					

OPTION #1



NOTE: INSTALLATION MUST CONFORM TO GOOD SHOP PRACTICES, SAE STANDARDS, RVIA STANDARDS, AND OTHER APPLICABLE STANDARDS.

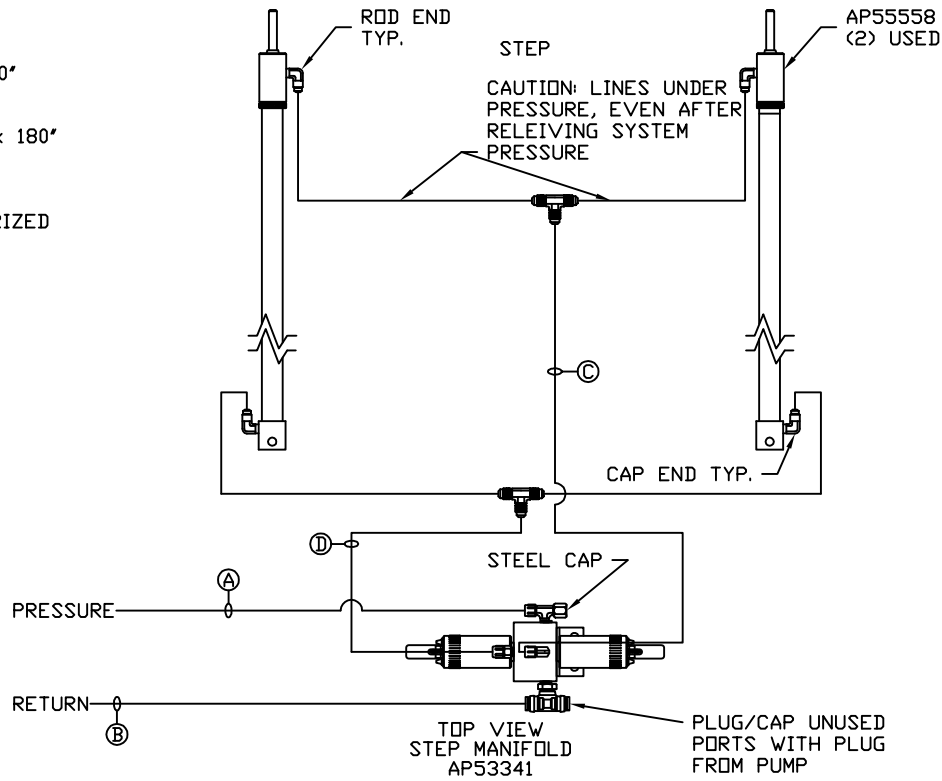
MP71215 B/C
08MAY19

ORIENTATION

← FRONT

- Ⓐ AP5965 HOSE ASSY 04 x 180' PRESSURE
- Ⓑ P5145 3/8" NYLON TUBING x 180' RETURN
- Ⓒ HOSE ASSY 04 ROD END - ALWAYS PRESSURIZED
- Ⓓ HOSE ASSY 04 CAP END

OPTION #2



NOTE: INSTALLATION MUST CONFORM TO GOOD SHOP PRACTICES, SAE STANDARDS, RVIA STANDARDS, AND OTHER APPLICABLE STANDARDS.

MP71215 C/C
08MAY19