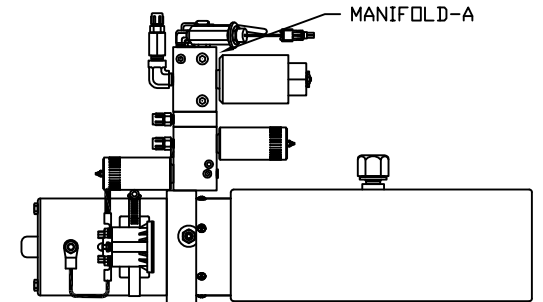
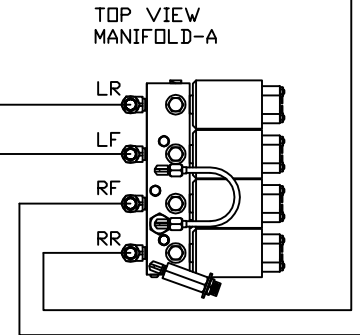
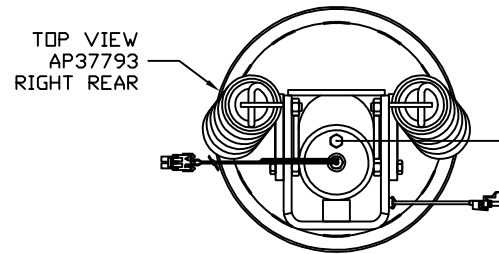
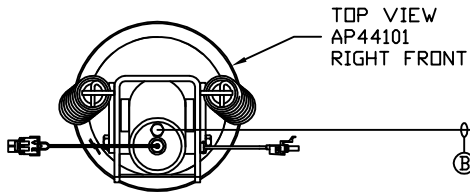


ORIENTATION
← FRONT

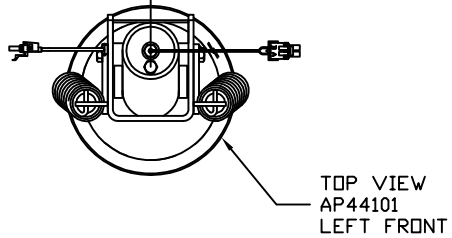


SIDE VIEW PUMP/MANIFOLD-AP54806

LOCATION AND ORIENTATION OF
PUMP/MANIFOLD ASSEMBLY WILL
DIFFER DEPENDING UPON O.E.M.

- Ⓐ AP10566 HOSE ASSY 04 x 102'
- Ⓑ AP6117 HOSE ASSY 04 x 432'
- Ⓒ AP5925 HOSE ASSY 04 x 444'
- Ⓓ AP4161 HOSE ASSY 04 x 120'

CROSS TIES REQUIRED FOR
FRONT AND REAR JACKS



1	29OCT19	UPDATED HOSES	
NO.	DATE	REVISION	

SYNC KIT: AP53375
PUMP KIT: AP51752
JACK KIT: AP52291

THE INFORMATION DISCLOSED ON THIS DRAWING IS CONFIDENTIAL AND MUST NOT BE DISCLOSED OR USED IN ANY MANNER WHICH WILL BE DETRIMENTAL TO THE HWH CORPORATION

HWH			I-80 EXIT 267 SOUTH RT 1 MOSCOW, IOWA 52760
SCALE 1:6	DATE 29JUL19	DRAWN BY .	
HYD CONN DIAGRAM			
TIFFIN			DRAWING NUMBER MP71228 A/C

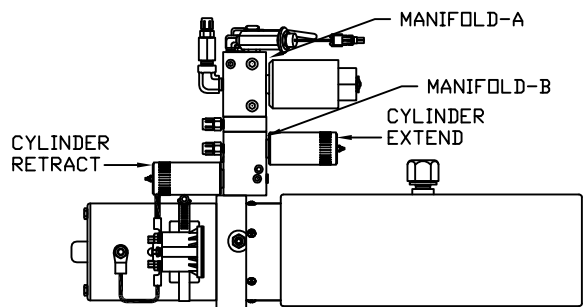
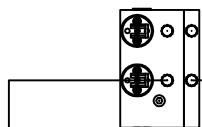
NOTE: INSTALLATION MUST CONFORM TO GOOD SHOP PRACTICES, SAE STANDARDS, RVIA STANDARDS, AND OTHER APPLICABLE STANDARDS.

PRIOR TO SEPT. 2018
PUMP MOUNTED AT
REAR OF COACH

- Ⓐ AP4313 HOSE ASSY 04 x 396"
- Ⓑ AP4669 HOSE ASSY 04 x 408"
- Ⓒ AP50261 HOSE ASSY 03 x 168"
- Ⓓ AP4062 HOSE ASSY 04 x 132"

- Ⓐ AP4074 HOSE ASSY 04 x 108"
ROD END - ALWAYS PRESSURIZED
- Ⓑ AP4161 HOSE ASSY 04 X 120"
CAP END
- Ⓒ AP49517 HOSE ASSY 03 x 180"
ROD END - ALWAYS PRESSURIZED - MUST
MAINTAIN EQUAL LENGTH AND DIAMETER
- Ⓓ AP5965 HOSE ASSY 04 x 180"
CAP END - MUST MAINTAIN EQUAL LENGTH
AND DIAMETER

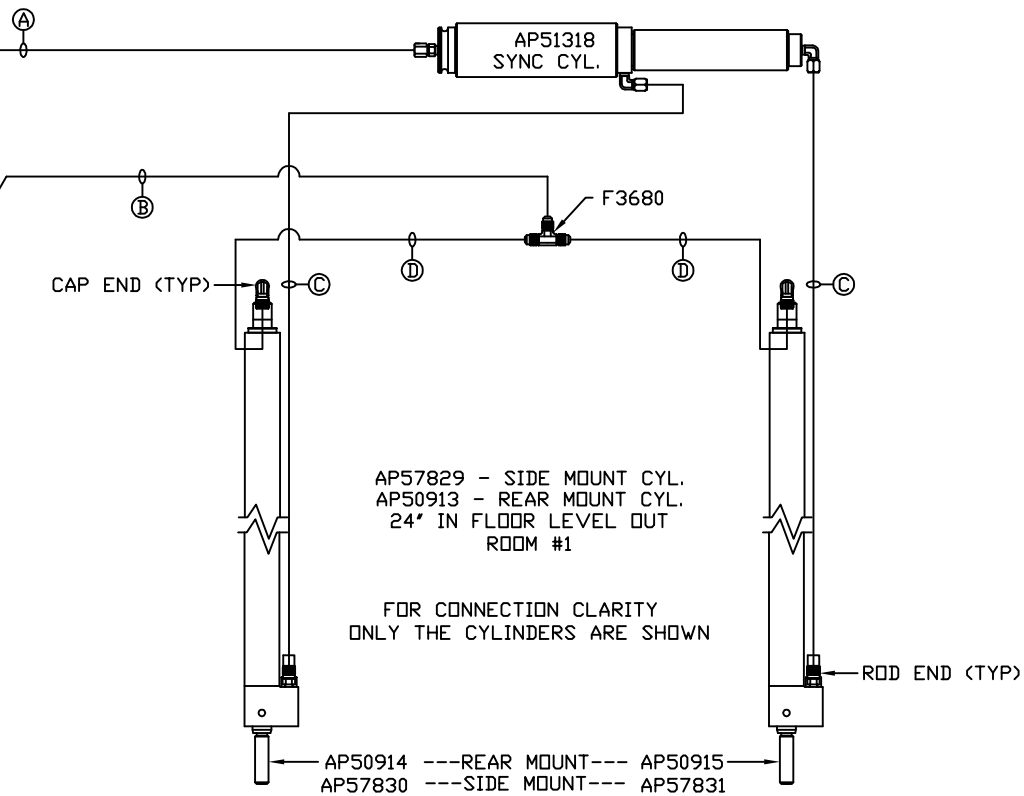
FRONT VIEW
MANIFOLD-B



SIDE VIEW PUMP/MANIFOLD-AP54806

LOCATION AND ORIENTATION OF
PUMP/MANIFOLD ASSEMBLY WILL
DIFFER DEPENDING UPON O.E.M.

NOTE: INSTALLATION MUST CONFORM TO GOOD SHOP PRACTICES, SAE
STANDARDS, RVIA STANDARDS, AND OTHER APPLICABLE STANDARDS.



Ⓐ AP5352 HOSE ASSY 04 x 96'
ROD END - ALWAYS PRESSURIZED

Ⓑ AP10566 HOSE ASSY 04 x 102'
CAP END

Ⓒ AP51589 HOSE ASSY 03 x 228'
WAS AP50847 HOSE ASSY 03 x 204'
ROD END - ALWAYS PRESSURIZED - MUST
MAINTAIN EQUAL LENGTH AND DIAMETER

Ⓓ AP5924 HOSE ASSY 04 x 228'
CAP END - MUST MAINTAIN EQUAL LENGTH
AND DIAMETER

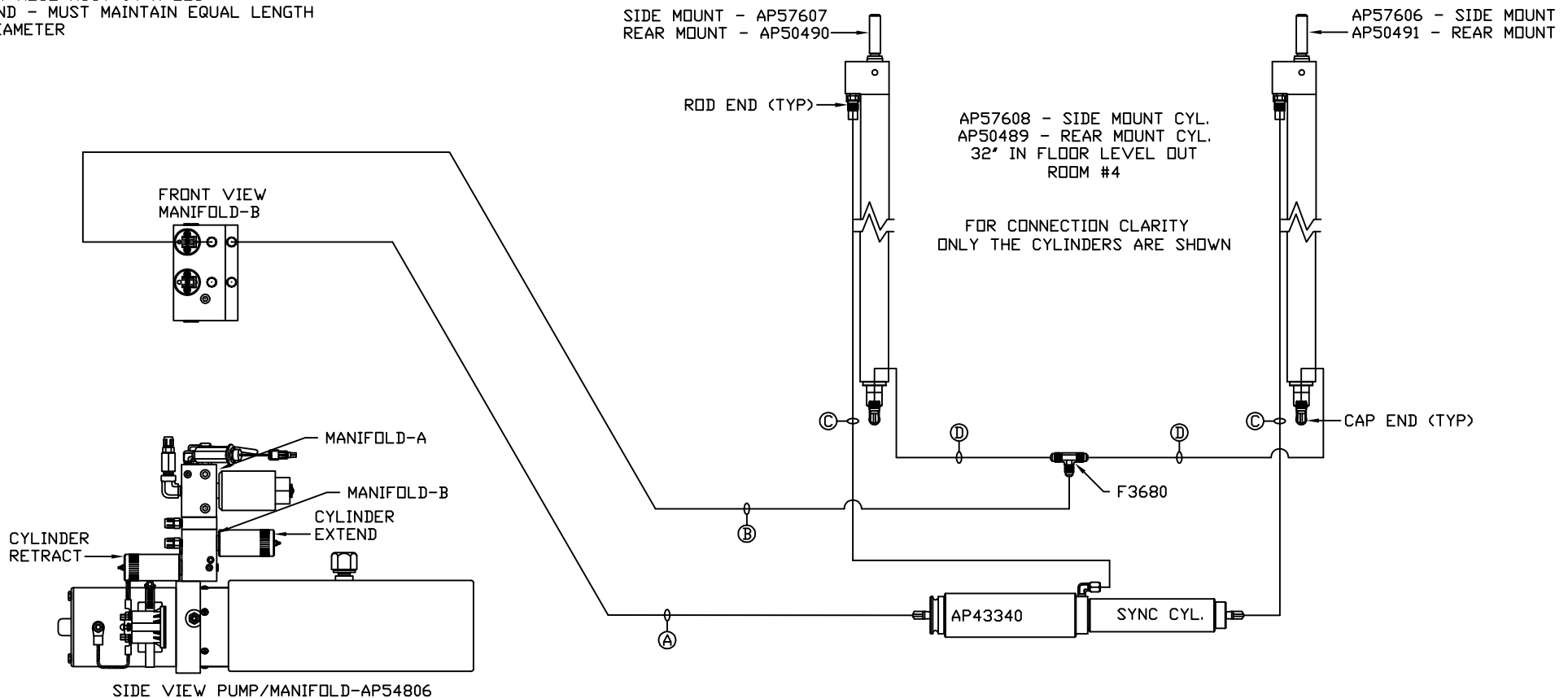
PRIOR TO SEPT. 2018
PUMP MOUNTED AT
REAR OF COACH

Ⓐ AP4312 HOSE ASSY 04 x 378'

Ⓑ AP4164 HOSE ASSY 04 x 384'

Ⓒ AP49247 HOSE ASSY 03 x 240'

Ⓓ AP4161 HOSE ASSY 04 x 216'



SIDE VIEW PUMP/MANIFOLD-AP54806

LOCATION AND ORIENTATION OF
PUMP/MANIFOLD ASSEMBLY WILL
DIFFER DEPENDING UPON O.E.M.

NOTE: INSTALLATION MUST CONFORM TO GOOD SHOP PRACTICES, SAE
STANDARDS, RVIA STANDARDS, AND OTHER APPLICABLE STANDARDS.

MP71228 C/C
29OCT19