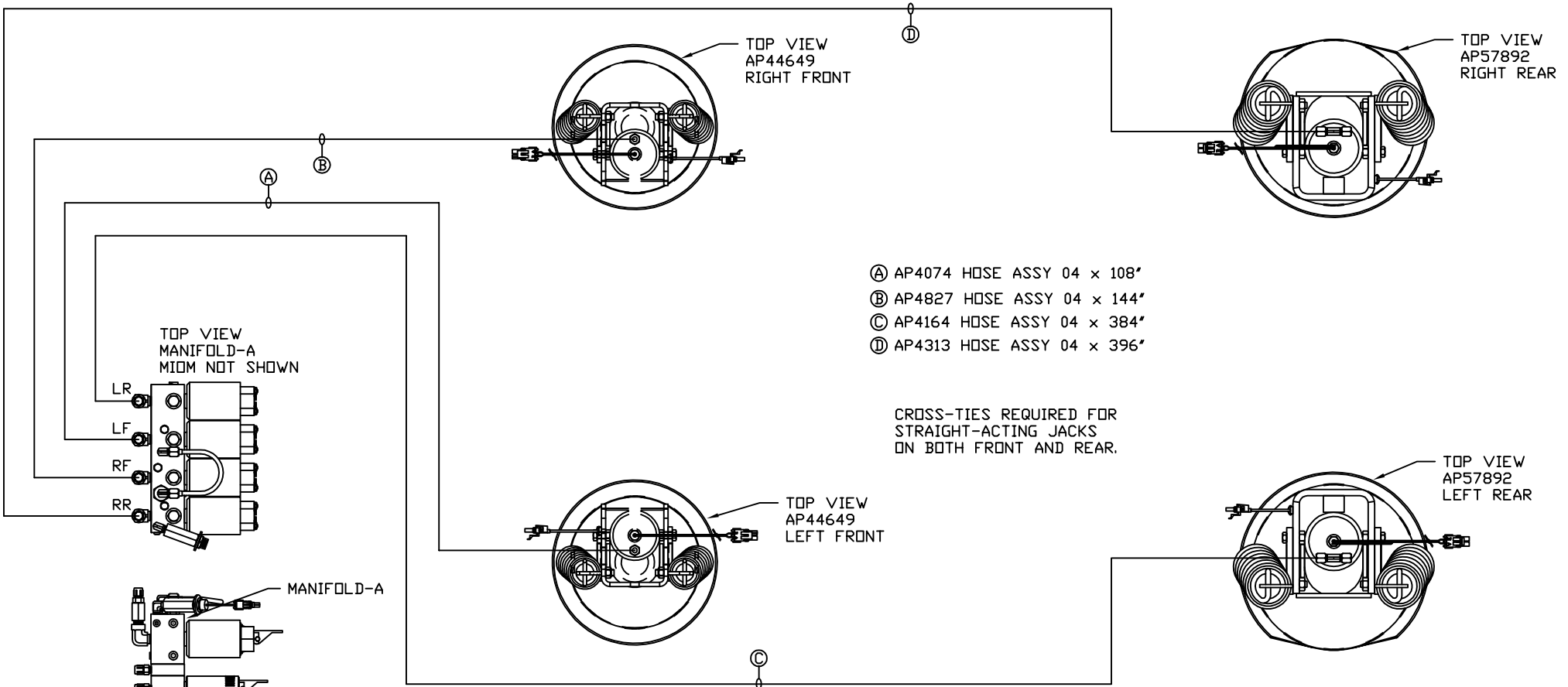
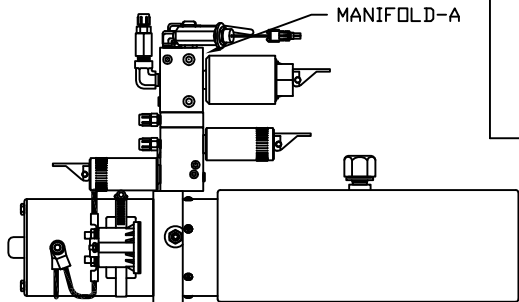


ORIENTATION  
← FRONT



- Ⓐ AP4074 HOSE ASSY 04 x 108"
- Ⓑ AP4827 HOSE ASSY 04 x 144"
- Ⓒ AP4164 HOSE ASSY 04 x 384"
- Ⓓ AP4313 HOSE ASSY 04 x 396"

CROSS-TIES REQUIRED FOR STRAIGHT-ACTING JACKS ON BOTH FRONT AND REAR.



SIDE VIEW PUMP/MANIFOLD-AP54806

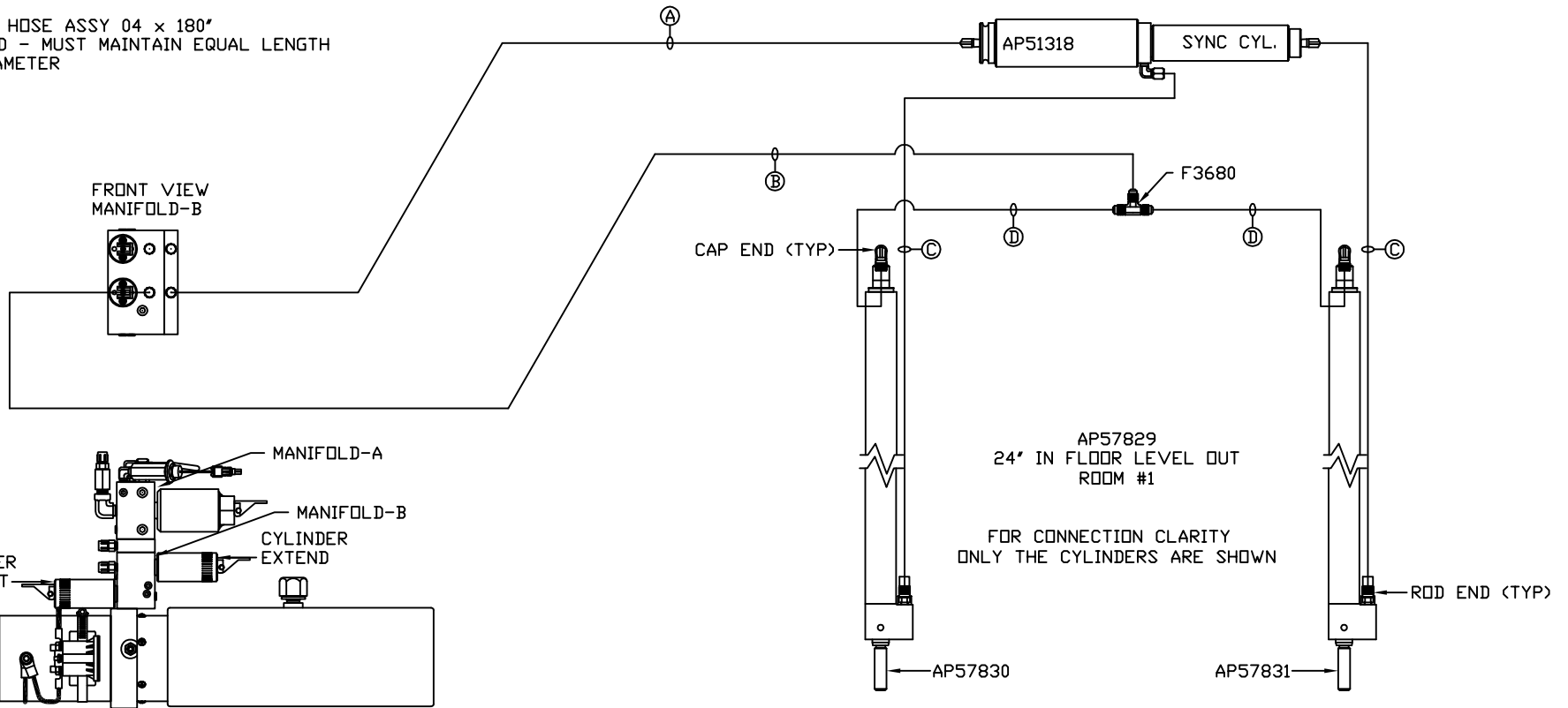
LOCATION AND ORIENTATION OF PUMP/MANIFOLD ASSEMBLY WILL DIFFER DEPENDING UPON O.E.M.

NOTE: INSTALLATION MUST CONFORM TO GOOD SHOP PRACTICES, SAE STANDARDS, RVIA STANDARDS, AND OTHER APPLICABLE STANDARDS.

SYNC KIT: AP53377		NO.		DATE		REVISION		HWH I-80 EXIT 267 SOUTH RT 1 MOSCOW, IOWA 52760	
PUMP KIT: AP51752		1		29OCT19		UPDATED HOSES		SCALE 1:6 DATE 30JUL19 DRAWN BY .	
JACK KIT: AP57896		THE INFORMATION DISCLOSED ON THIS DRAWING IS CONFIDENTIAL AND MUST NOT BE DISCLOSED OR USED IN ANY MANNER WHICH WILL BE DETRIMENTAL TO THE HWH CORPORATION						HYD CONN DIAGRAM	
								TIFFIN	
								DRAWING NUMBER MP71230 A/C	

**ORIENTATION**  
← FRONT

- Ⓐ AP4074 HOSE ASSY 04 × 108"  
ROD END - ALWAYS PRESSURIZED
- Ⓑ AP4161 HOSE ASSY 04 × 120"  
CAP END
- Ⓒ AP49517 HOSE ASSY 03 × 180"  
ROD END - ALWAYS PRESSURIZED - MUST  
MAINTAIN EQUAL LENGTH AND DIAMETER
- Ⓓ AP5965 HOSE ASSY 04 × 180"  
CAP END - MUST MAINTAIN EQUAL LENGTH  
AND DIAMETER

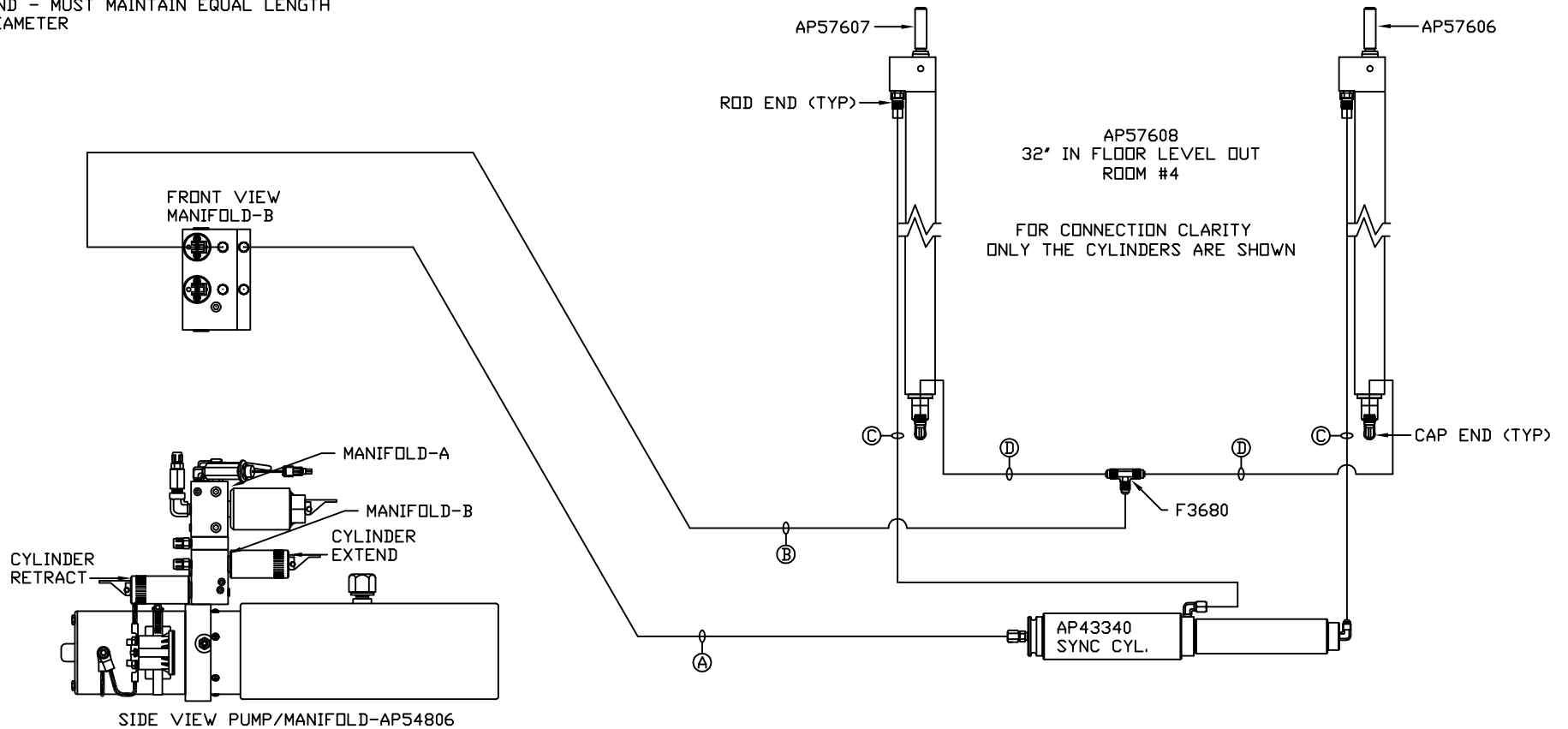


SIDE VIEW PUMP/MANIFOLD-AP54806

LOCATION AND ORIENTATION OF  
PUMP/MANIFOLD ASSEMBLY WILL  
DIFFER DEPENDING UPON O.E.M.

NOTE: INSTALLATION MUST CONFORM TO GOOD SHOP PRACTICES, SAE  
STANDARDS, RVIA STANDARDS, AND OTHER APPLICABLE STANDARDS.

- Ⓐ AP5352 HOSE ASSY 04 x 96'  
ROD END - ALWAYS PRESSURIZED
- Ⓑ AP10566 HOSE ASSY 04 x 102'  
CAP END
- Ⓒ AP51589 HOSE ASSY 03 x 228'  
WAS AP50847 HOSE ASSY 03 x 204'  
ROD END - ALWAYS PRESSURIZED - MUST  
MAINTAIN EQUAL LENGTH AND DIAMETER
- Ⓓ AP5924 HOSE ASSY 04 x 228'  
CAP END - MUST MAINTAIN EQUAL LENGTH  
AND DIAMETER



SIDE VIEW PUMP/MANIFOLD-AP54806

LOCATION AND ORIENTATION OF  
PUMP/MANIFOLD ASSEMBLY WILL  
DIFFER DEPENDING UPON O.E.M.

NOTE: INSTALLATION MUST CONFORM TO GOOD SHOP PRACTICES, SAE  
STANDARDS, RVIA STANDARDS, AND OTHER APPLICABLE STANDARDS.