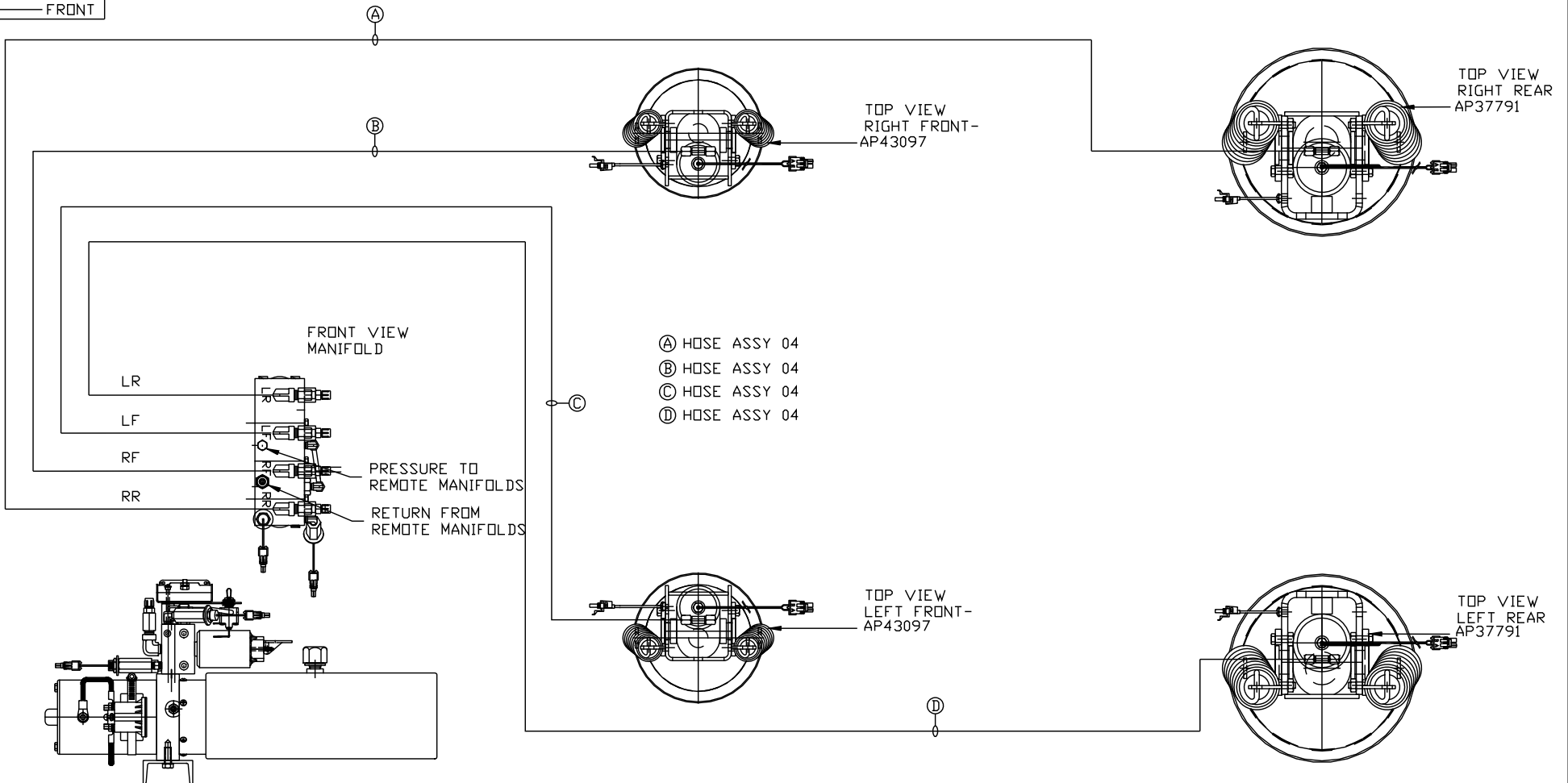


ORIENTATION
← FRONT



- Ⓐ HOSE ASSY 04
- Ⓑ HOSE ASSY 04
- Ⓒ HOSE ASSY 04
- Ⓓ HOSE ASSY 04

FRONT VIEW
MANIFOLD

LR
LF
RF
RR

PRESSURE TO
REMOTE MANIFOLDS
RETURN FROM
REMOTE MANIFOLDS

SIDE VIEW PUMP/MANIFOLD-AP58661-01

LOCATION AND ORIENTATION OF
PUMP/MANIFOLD ASSEMBLY WILL
DIFFER DEPENDING UPON O.E.M.

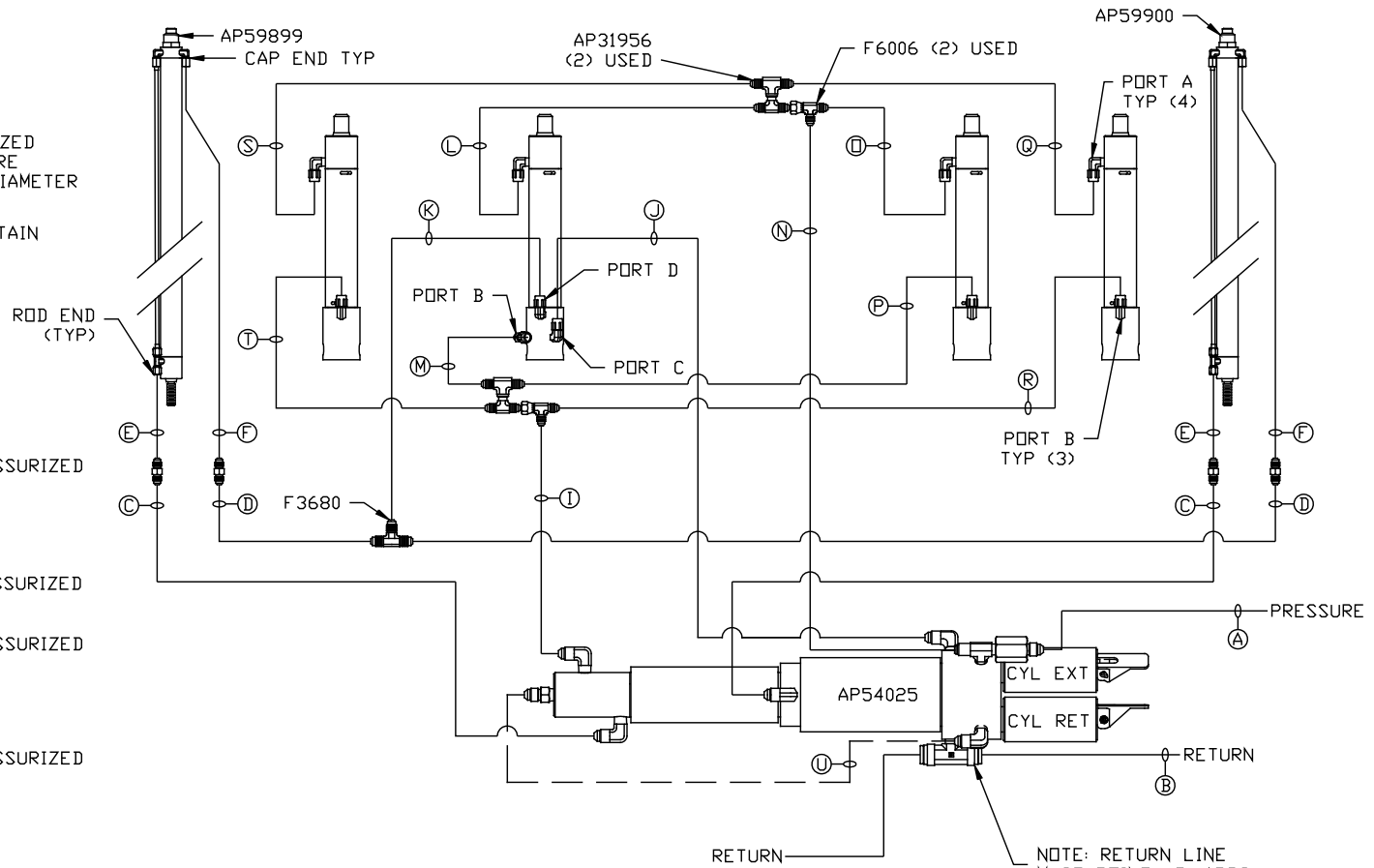
NOTE: INSTALLATION MUST CONFORM TO GOOD SHOP PRACTICES, SAE
STANDARDS, RVIA STANDARDS, AND OTHER APPLICABLE STANDARDS.

PARTS LIST: PL62636

NO.	DATE	REVISION
THE INFORMATION DISCLOSED ON THIS DRAWING IS CONFIDENTIAL AND MUST NOT BE DISCLOSED OR USED IN ANY MANNER WHICH WILL BE DETRIMENTAL TO THE HWH CORPORATION		

HWH		I-80 EXIT 267 SOUTH RT 1 MOSCOW, IOWA 52760	
SCALE 1:6	DATE 24MAY21	DRAWN BY .	
HYD CONN DIAGRAM			
NEWMAR		DRAWING NUMBER MP71354 A/B	

- Ⓐ HOSE ASSY 04
PRESSURE
- Ⓑ .375" OD NYLON TUBING
RETURN
- Ⓒ HOSE ASSY 03
ROD END - ALWAYS PRESSURIZED
HOSES MUST BE HIGH PRESSURE
AND OF EQUAL LENGTH AND DIAMETER
- Ⓓ HOSE ASSY 04
CAP END - HOSES MUST MAINTAIN
EQUAL LENGTH AND DIAMETER
- Ⓛ AP HOSE ASSY 04
CAP END (LIFT)
- Ⓜ HOSE ASSY 04
CAP END (ROOM)
- Ⓚ HOSE ASSY 03
CAP END (ROOM)
- Ⓛ HOSE ASSY 03
ROD END (LIFT) ALWAYS PRESSURIZED
- Ⓜ HOSE ASSY 04
CAP END (LIFT)
- Ⓝ HOSE ASSY 03
ROD END (LIFT) ALWAYS PRESSURIZED
- Ⓞ HOSE ASSY 03
ROD END (LIFT) ALWAYS PRESSURIZED
- Ⓟ HOSE ASSY 04
CAP END (LIFT)
- Ⓠ HOSE ASSY 03
ROD END (LIFT) ALWAYS PRESSURIZED
- Ⓡ HOSE ASSY 04
CAP END (LIFT)
- Ⓢ HOSE ASSY 03
ROD END (LIFT)
ALWAYS PRESSURIZED
- Ⓣ HOSE ASSY 04
CAP END (LIFT)



AP59901
ROOM KIT
DRIVER SIDE

NOTES:
FOR CONNECTION CLARITY ONLY THE CYLINDERS ARE
SHOWN.
HOSE Ⓣ IS INCLUDED WITH THE SYNC. CYLINDER.

NOTE: RETURN LINE
MUST POINT UPWARDS.

NOTE: INSTALLATION MUST CONFORM TO GOOD SHOP PRACTICES, SAE
STANDARDS, RVIA STANDARDS, AND OTHER APPLICABLE STANDARDS.

MP71354 B/B
24MAY21