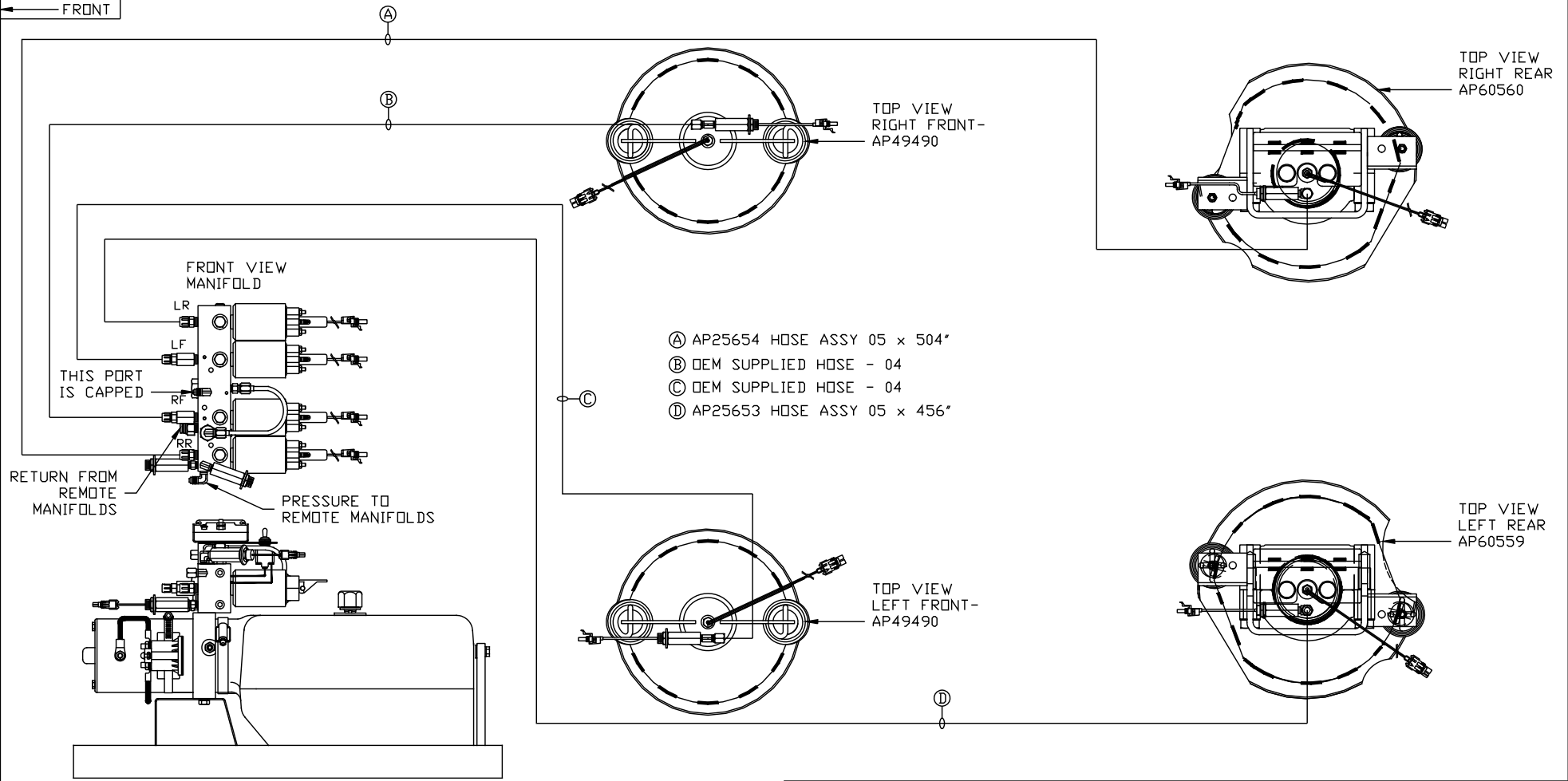


ORIENTATION
← FRONT



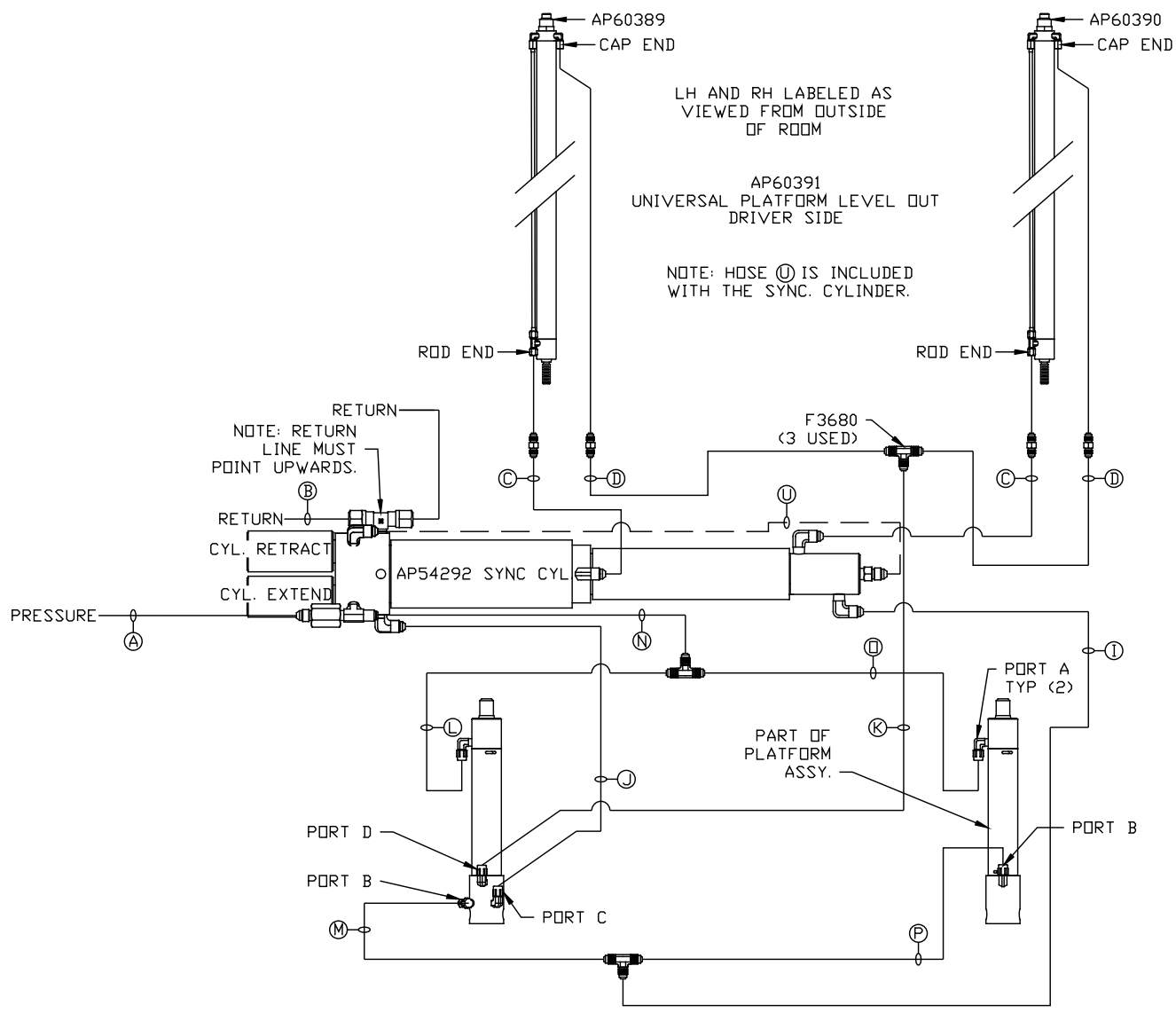
- (A) AP25654 HOSE ASSY 05 x 504"
- (B) OEM SUPPLIED HOSE - 04
- (C) OEM SUPPLIED HOSE - 04
- (D) AP25653 HOSE ASSY 05 x 456"

SIDE VIEW PUMP/MANIFOLD-AP58662
 LOCATION AND ORIENTATION OF PUMP/MANIFOLD ASSEMBLY WILL DIFFER DEPENDING UPON O.E.M.

NOTE: INSTALLATION MUST CONFORM TO GOOD SHOP PRACTICES, SAE STANDARDS, RVIA STANDARDS, AND OTHER APPLICABLE STANDARDS.

PARTS LIST: PL62645

		HWH I-80 EXIT 267 SOUTH RT 1 MOSCOW, IOWA 52760	
		SCALE 1:6	DATE 25MAY21
		DRAWN BY .	
		HYD CONN DIAGRAM	
NO.	DATE	REVISION	
		THE INFORMATION DISCLOSED ON THIS DRAWING IS CONFIDENTIAL AND MUST NOT BE DISCLOSED OR USED IN ANY MANNER WHICH WILL BE DETRIMENTAL TO THE HWH CORPORATION	
		NEWMAR	DRAWING NUMBER MP71363 A/B



LH AND RH LABELED AS VIEWED FROM OUTSIDE OF ROOM

AP60391 UNIVERSAL PLATFORM LEVEL OUT DRIVER SIDE

NOTE: HOSE ① IS INCLUDED WITH THE SYNC. CYLINDER.

NOTE: RETURN LINE MUST POINT UPWARDS.

- Ⓐ HOSE ASSY 04 PRESSURE
- Ⓑ .375" OD NYLON TUBING RETURN
- Ⓒ HOSE ASSY 03 ROD END - ALWAYS PRESSURIZED - MUST BE HIGH PRESSURE HOSES OF EQUAL LENGTH AND DIAMETER
- Ⓓ HOSE ASSY 04 CAP END - MUST MAINTAIN EQUAL LENGTH AND DIAMETER
- ① HOSE ASSY 04 CAP END (LIFT)
- Ⓜ HOSE ASSY 03 CAP END (ROOM)
- Ⓝ HOSE ASSY 03 CAP END (ROOM)
- Ⓛ HOSE ASSY 03 ROD END (LIFT) - ALWAYS PRESSURIZED
- Ⓜ HOSE ASSY 03 CAP END (LIFT)
- Ⓝ HOSE ASSY 04 ROD END - ALWAYS PRESSURIZED (LIFT)
- Ⓛ HOSE ASSY 03 ROD END (LIFT) - ALWAYS PRESSURIZED
- Ⓜ HOSE ASSY 03 CAP END LIFT
- Ⓝ HOSE ASSY 03 CAP END LIFT
- Ⓛ STEEL TUBE CAP END (LIFT)

NOTE: INSTALLATION MUST CONFORM TO GOOD SHOP PRACTICES, SAE STANDARDS, RVIA STANDARDS, AND OTHER APPLICABLE STANDARDS.