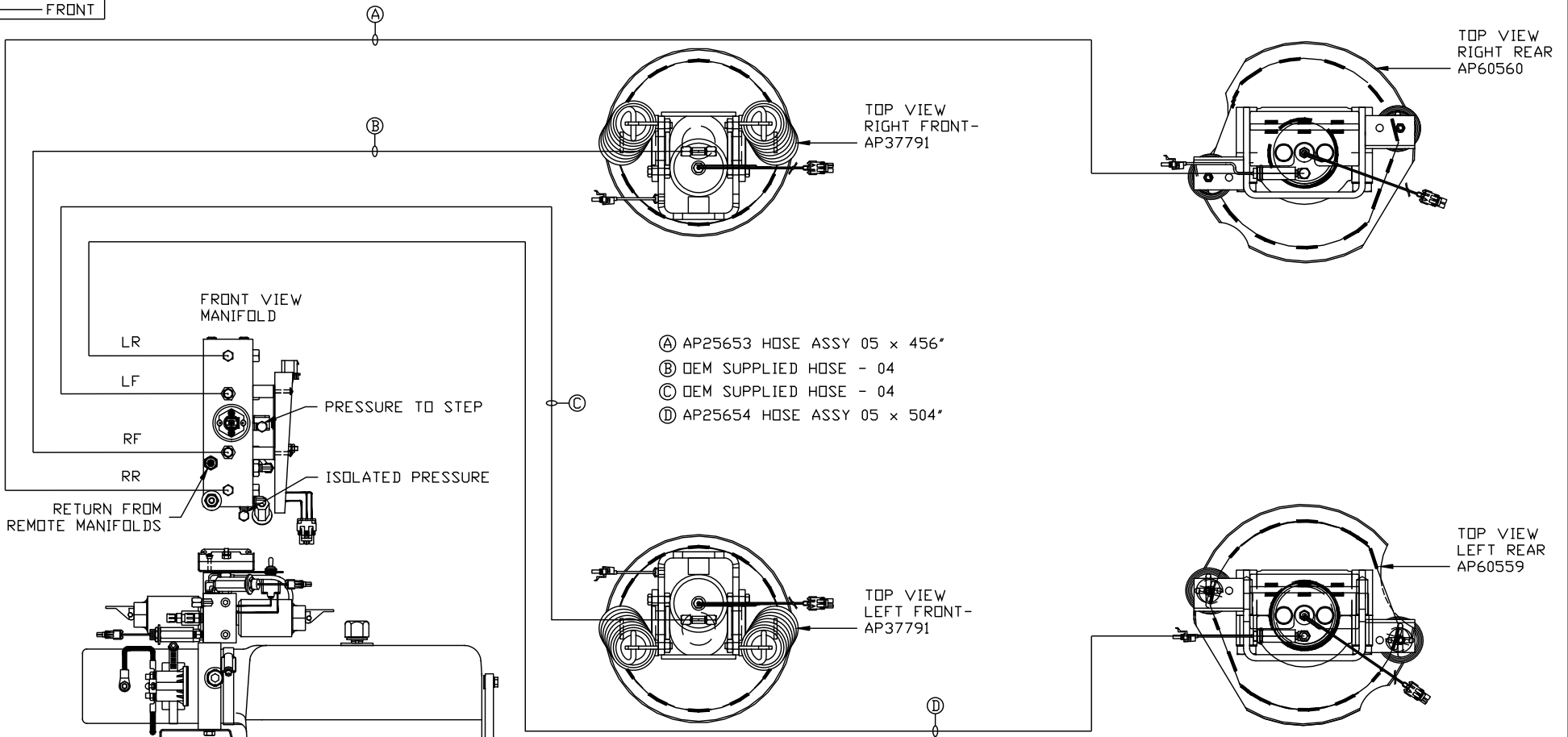
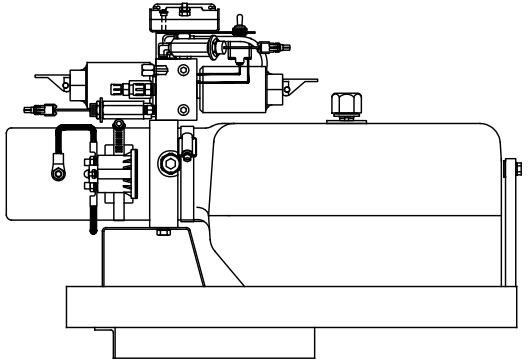
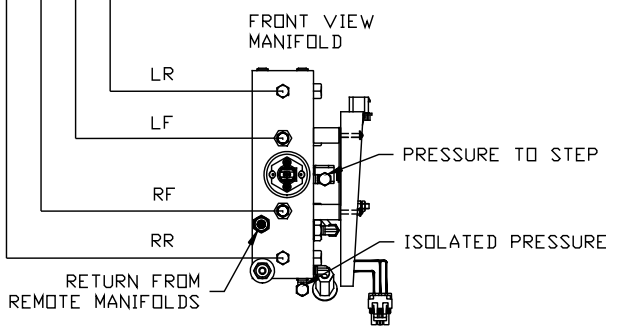


ORIENTATION
← FRONT



- A) AP25653 HOSE ASSY 05 x 456"
- B) OEM SUPPLIED HOSE - 04
- C) OEM SUPPLIED HOSE - 04
- D) AP25654 HOSE ASSY 05 x 504"



SIDE VIEW PUMP/MANIFOLD-AP59102

LOCATION AND ORIENTATION OF PUMP/MANIFOLD ASSEMBLY WILL DIFFER DEPENDING UPON O.E.M.

NOTE: INSTALLATION MUST CONFORM TO GOOD SHOP PRACTICES, SAE STANDARDS, RVIA STANDARDS, AND OTHER APPLICABLE STANDARDS.

PARTS LIST: PL62654

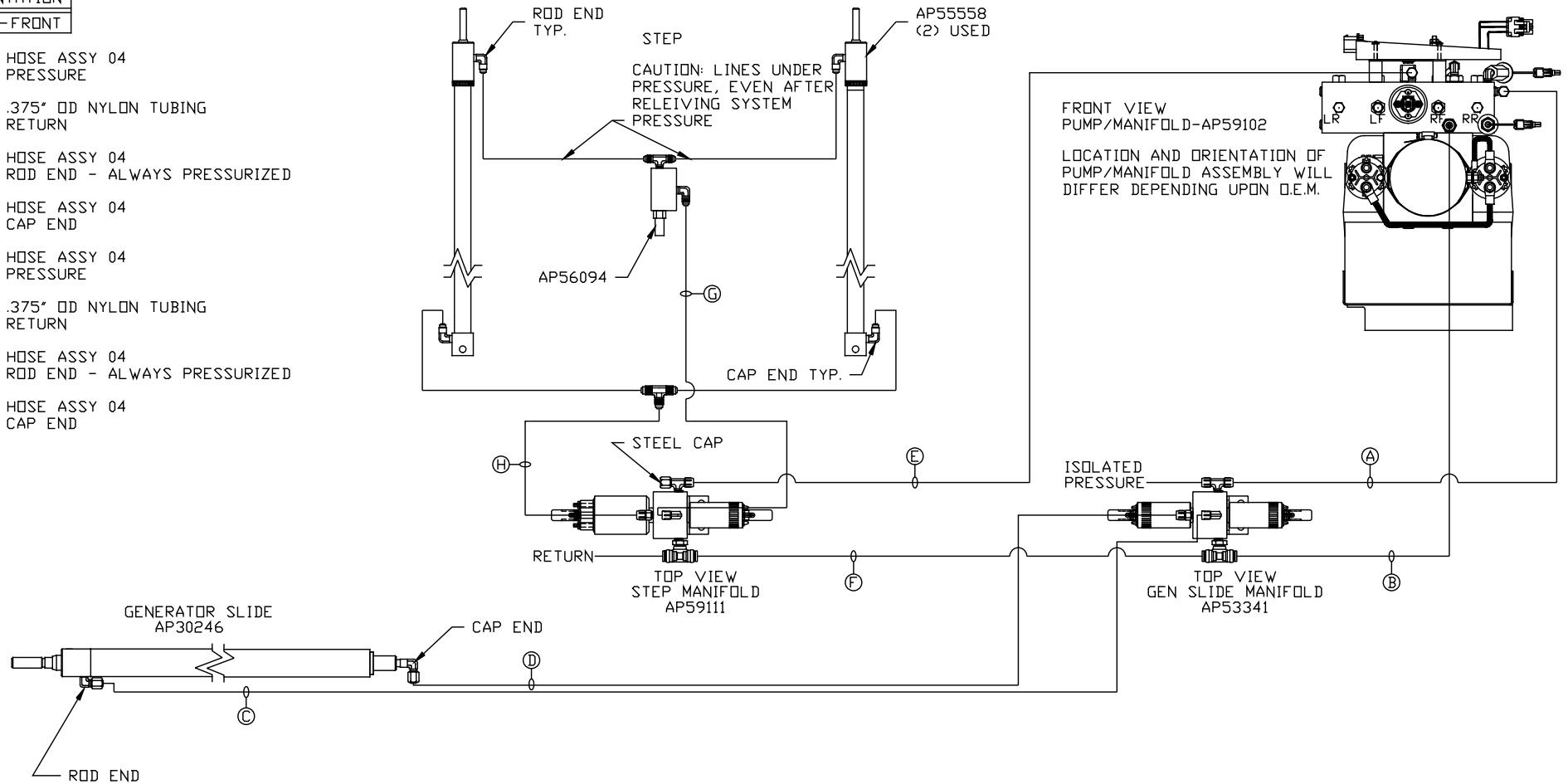
NO.	DATE	REVISION
THE INFORMATION DISCLOSED ON THIS DRAWING IS CONFIDENTIAL AND MUST NOT BE DISCLOSED OR USED IN ANY MANNER WHICH WILL BE DETRIMENTAL TO THE HWH CORPORATION		

HWH		I-80 EXIT 267 SOUTH RT 1 MOSCOW, IOWA 52760	
SCALE 1:6	DATE 26MAY21	DRAWN BY .	
HYD CONN DIAGRAM			
NEWMAR		DRAWING NUMBER MP71372 A/C	

ORIENTATION

← FRONT

- Ⓐ HOSE ASSY 04
PRESSURE
- Ⓑ .375" OD NYLON TUBING
RETURN
- Ⓒ HOSE ASSY 04
ROD END - ALWAYS PRESSURIZED
- Ⓓ HOSE ASSY 04
CAP END
- Ⓔ HOSE ASSY 04
PRESSURE
- Ⓕ .375" OD NYLON TUBING
RETURN
- Ⓖ HOSE ASSY 04
ROD END - ALWAYS PRESSURIZED
- Ⓗ HOSE ASSY 04
CAP END



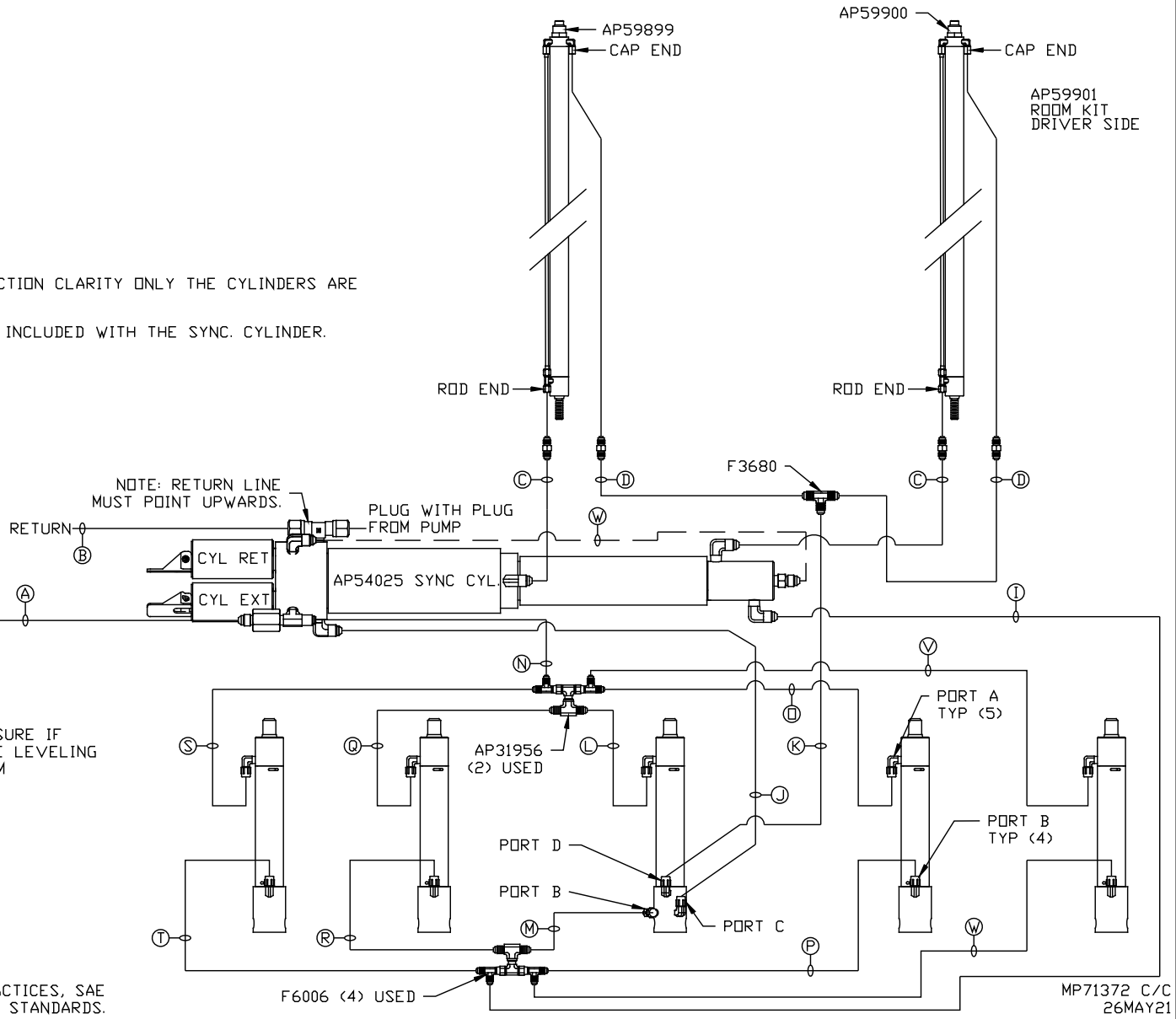
NOTE: INSTALLATION MUST CONFORM TO GOOD SHOP PRACTICES, SAE STANDARDS, RVIA STANDARDS, AND OTHER APPLICABLE STANDARDS.

MP71372 B/C
26MAY21

- Ⓐ HOSE ASSY 04
PRESSURE
- Ⓑ .375" OD NYLON TUBING
RETURN
- Ⓒ HOSE ASSY 03
ROD END - ALWAYS PRESSURIZED
HOSES MUST BE HIGH PRESSURE
AND OF EQUAL LENGTH AND DIAMETER
- Ⓓ HOSE ASSY 04
CAP END - HOSES MUST MAINTAIN
EQUAL LENGTH AND DIAMETER
- Ⓚ AP HOSE ASSY 04
CAP END (LIFT)
- Ⓛ HOSE ASSY 04
CAP END (ROOM)
- Ⓜ HOSE ASSY 03
CAP END (ROOM)
- Ⓝ HOSE ASSY 03
CAP END (ROOM)
- Ⓟ HOSE ASSY 03
ROD END (LIFT) ALWAYS PRESSURIZED
- Ⓠ HOSE ASSY 04
CAP END (LIFT)
- Ⓡ HOSE ASSY 03
ROD END (LIFT) ALWAYS PRESSURIZED
- Ⓢ HOSE ASSY 04
CAP END (LIFT)
- Ⓣ HOSE ASSY 03
ROD END (LIFT) ALWAYS PRESSURIZED
- Ⓤ HOSE ASSY 04
CAP END (LIFT)
- Ⓥ HOSE ASSY 03
ROD END (LIFT) ALWAYS PRESSURIZED
- Ⓦ HOSE ASSY 04
CAP END (LIFT)

NOTES:
 FOR CONNECTION CLARITY ONLY THE CYLINDERS ARE
 SHOWN.
 HOSE Ⓦ IS INCLUDED WITH THE SYNC. CYLINDER.

*NOTE: ISOLATED PRESSURE IF
 AVAILABLE, SEE LEVELING
 SYSTEM DIAGRAM



NOTE: INSTALLATION MUST CONFORM TO GOOD SHOP PRACTICES, SAE
 STANDARDS, RVIA STANDARDS, AND OTHER APPLICABLE STANDARDS.

MP71372 C/C
 26MAY21