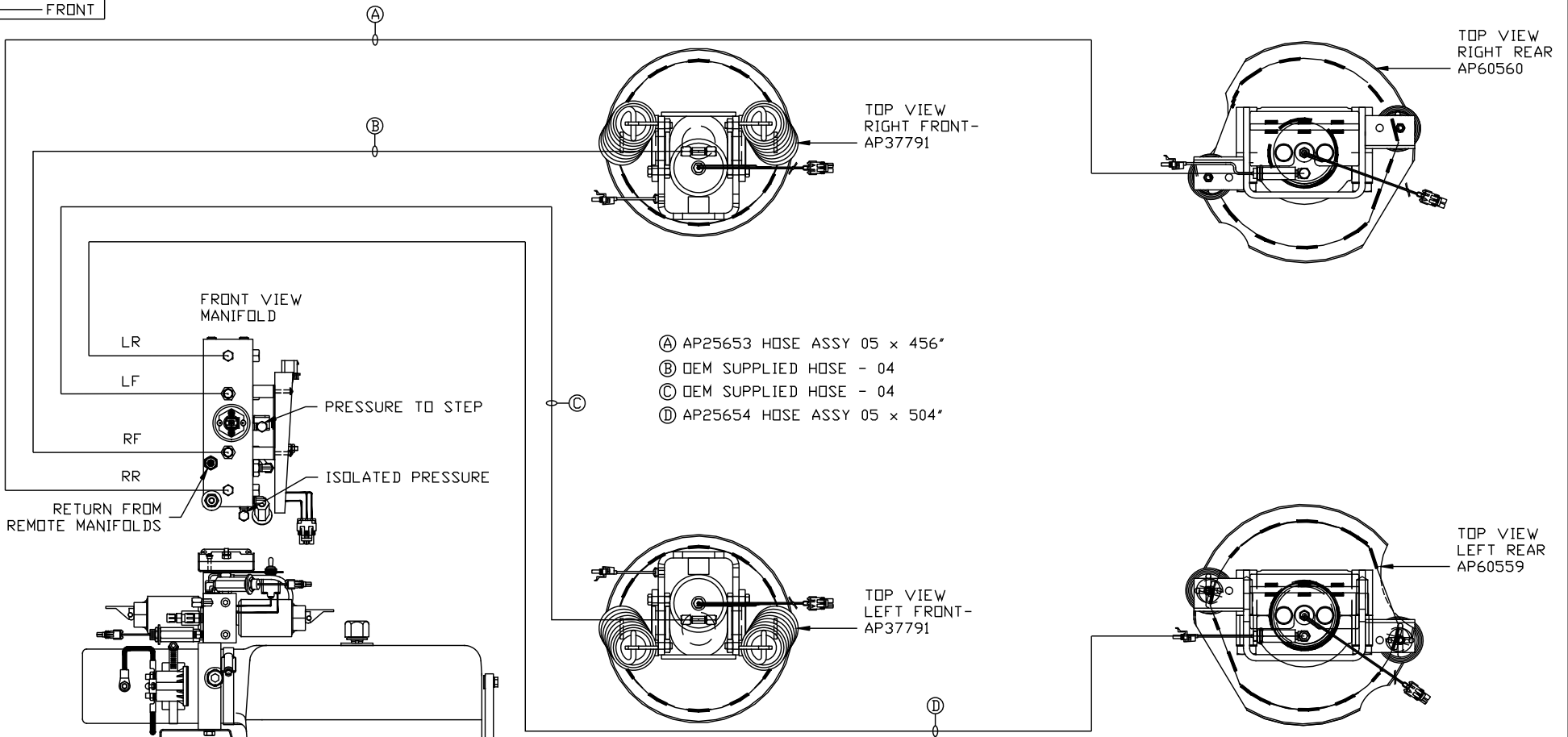


ORIENTATION  
← FRONT



- A) AP25653 HOSE ASSY 05 x 456"
- B) OEM SUPPLIED HOSE - 04
- C) OEM SUPPLIED HOSE - 04
- D) AP25654 HOSE ASSY 05 x 504"

SIDE VIEW PUMP/MANIFOLD-AP59102

LOCATION AND ORIENTATION OF PUMP/MANIFOLD ASSEMBLY WILL DIFFER DEPENDING UPON O.E.M.

NOTE: INSTALLATION MUST CONFORM TO GOOD SHOP PRACTICES, SAE STANDARDS, RVIA STANDARDS, AND OTHER APPLICABLE STANDARDS.

PARTS LIST: PL62655

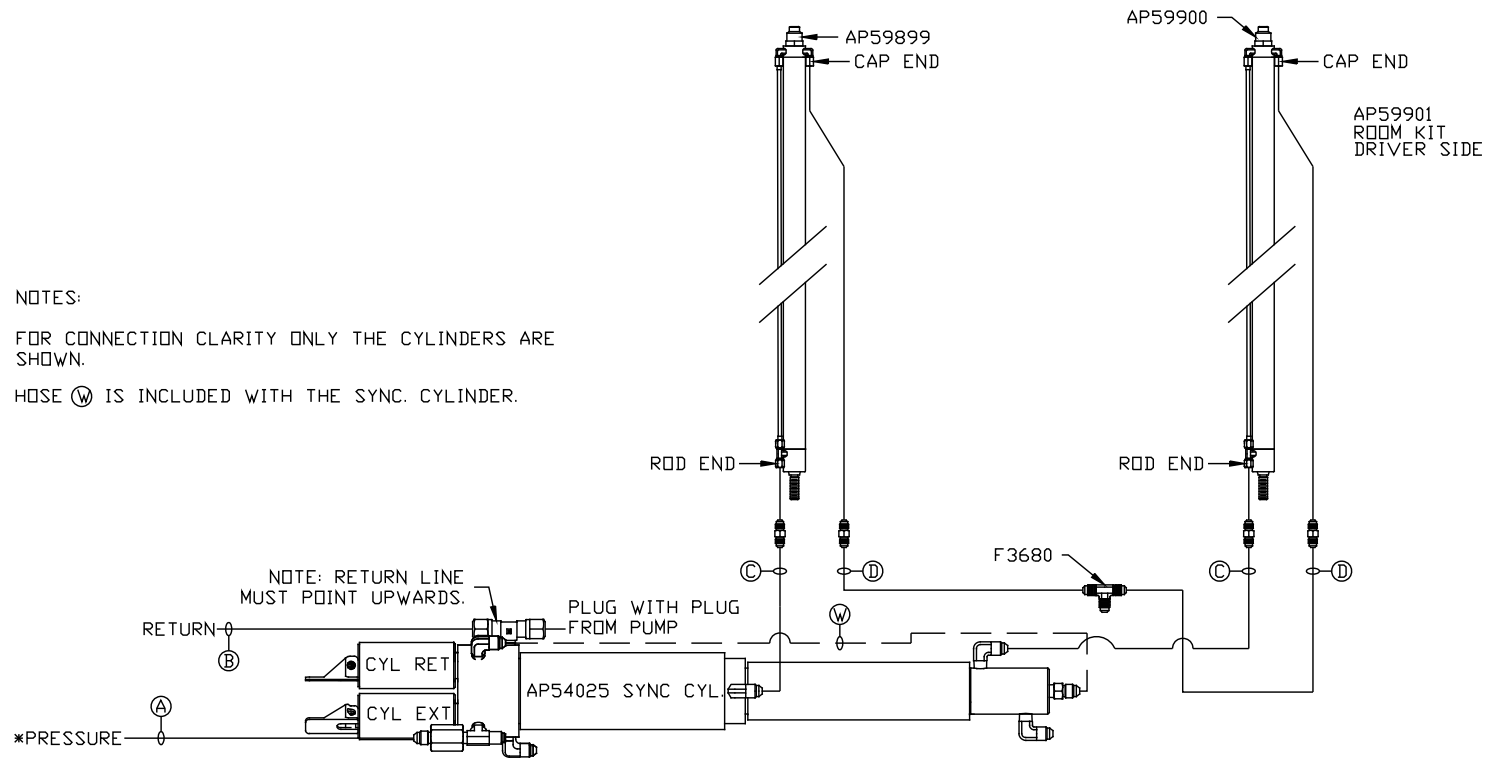
		HWH		I-80 EXIT 267 SOUTH RT 1 MOSCOW, IOWA 52760	
		SCALE 1:6	DATE 26MAY21	DRAWN BY .	
		HYD CONN DIAGRAM			
NO.	DATE	REVISION		DRAWING NUMBER	
				MP71373 A/C	
				NEWMAR	

THE INFORMATION DISCLOSED ON THIS DRAWING IS CONFIDENTIAL AND MUST NOT BE DISCLOSED OR USED IN ANY MANNER WHICH WILL BE DETRIMENTAL TO THE HWH CORPORATION



- Ⓐ HOSE ASSY 04  
PRESSURE
- Ⓑ .375" OD NYLON TUBING  
RETURN
- Ⓒ HOSE ASSY 03  
ROD END - ALWAYS PRESSURIZED  
HOSES MUST BE HIGH PRESSURE  
AND OF EQUAL LENGTH AND DIAMETER
- Ⓓ HOSE ASSY 04  
CAP END - HOSES MUST MAINTAIN  
EQUAL LENGTH AND DIAMETER

NOTES:  
 FOR CONNECTION CLARITY ONLY THE CYLINDERS ARE  
 SHOWN.  
 HOSE Ⓜ IS INCLUDED WITH THE SYNC. CYLINDER.



\*NOTE: ISOLATED PRESSURE IF  
 AVAILABLE, SEE LEVELING  
 SYSTEM DIAGRAM

PLATFORM LIFT NOT KNOWN

NOTE: INSTALLATION MUST CONFORM TO GOOD SHOP PRACTICES, SAE  
 STANDARDS, RVIA STANDARDS, AND OTHER APPLICABLE STANDARDS.

MP71373 C/C  
 26MAY21