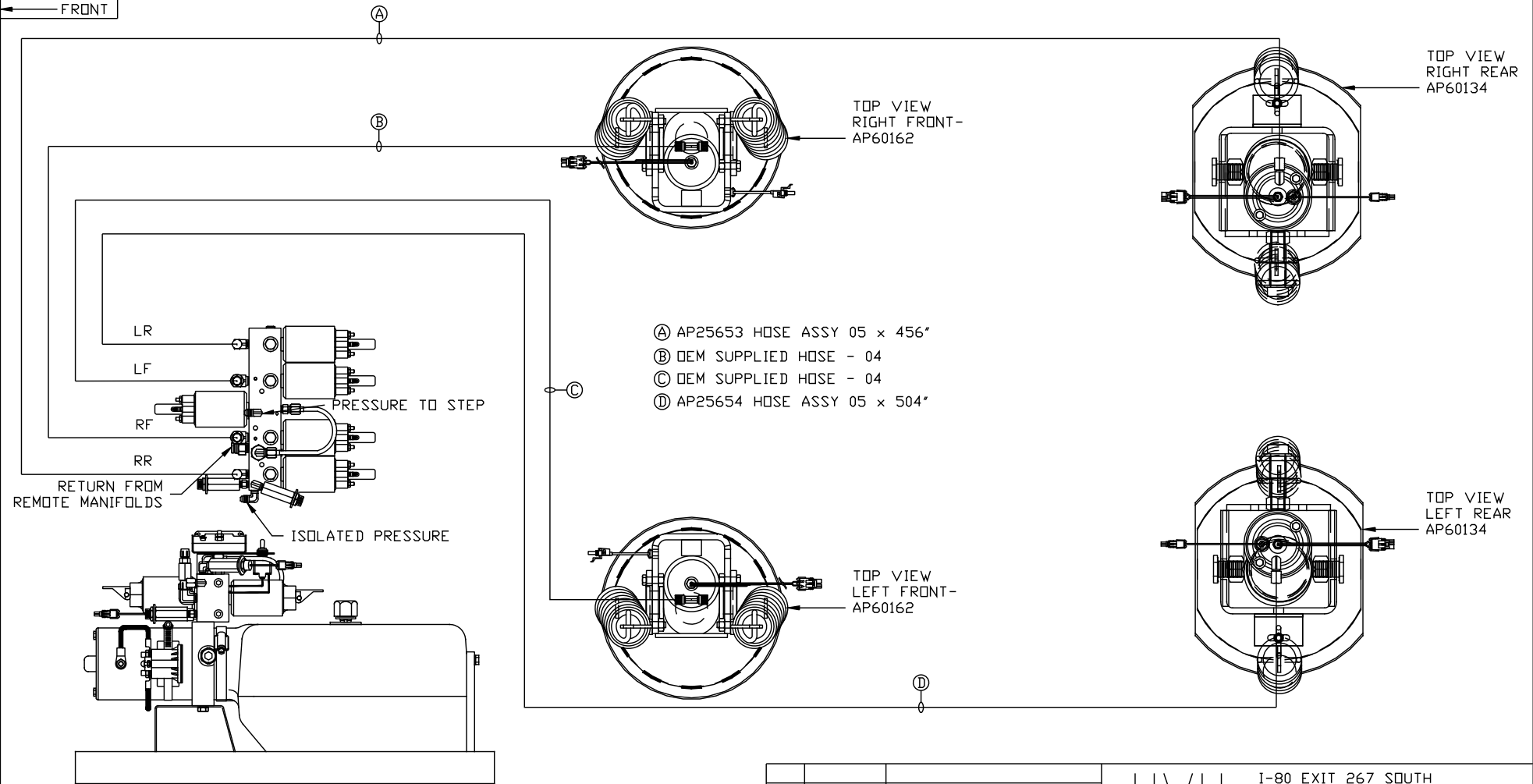


ORIENTATION
← FRONT



- Ⓐ AP25653 HOSE ASSY 05 x 456"
- Ⓑ OEM SUPPLIED HOSE - 04
- Ⓒ OEM SUPPLIED HOSE - 04
- Ⓓ AP25654 HOSE ASSY 05 x 504"

SIDE VIEW PUMP/MANIFOLD-AP59102-01

LOCATION AND ORIENTATION OF PUMP/MANIFOLD ASSEMBLY WILL DIFFER DEPENDING UPON O.E.M.

NOTE: INSTALLATION MUST CONFORM TO GOOD SHOP PRACTICES, SAE STANDARDS, RVIA STANDARDS, AND OTHER APPLICABLE STANDARDS.

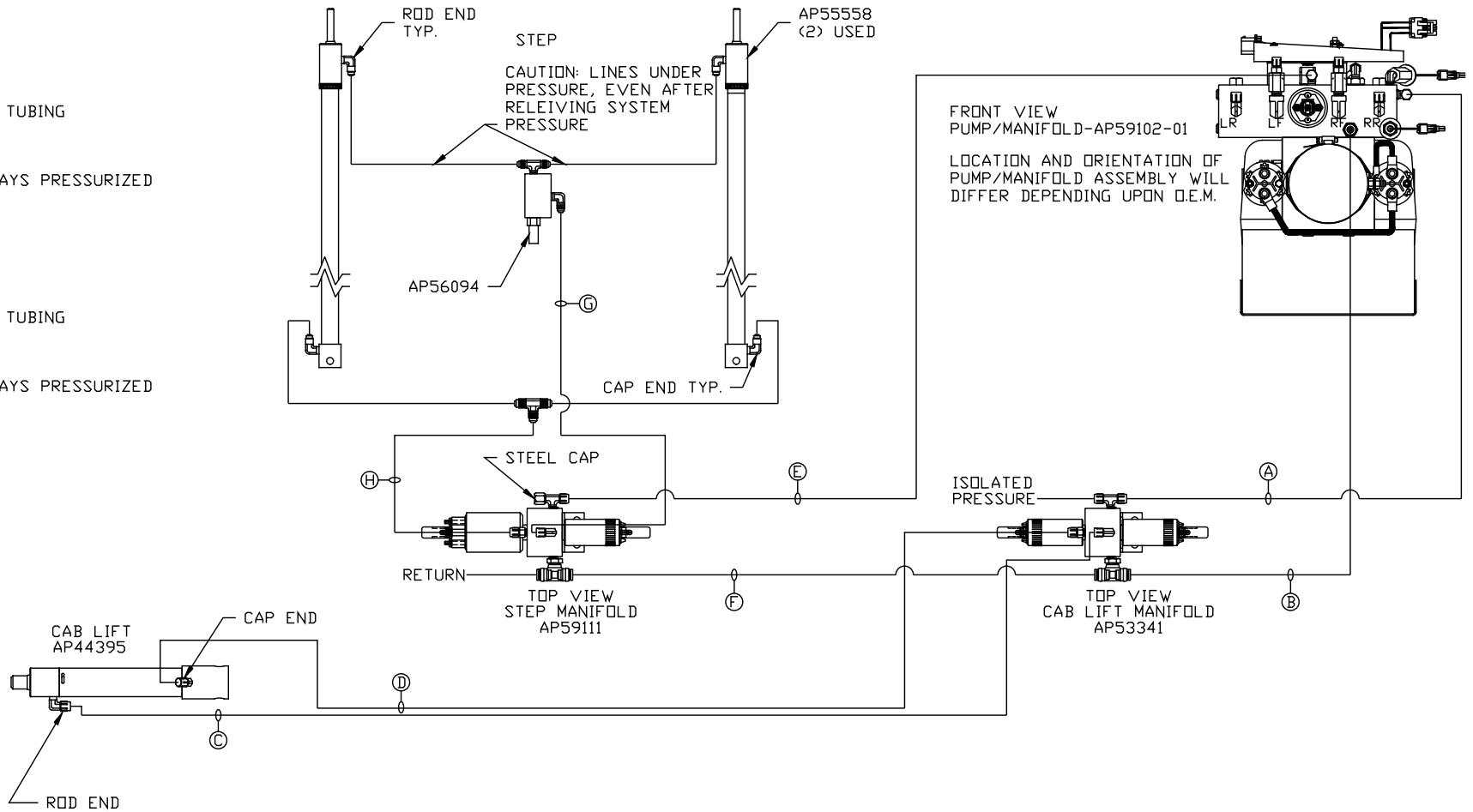
PARTS LIST: PL62662

		HWH		I-80 EXIT 267 SOUTH RT 1 MOSCOW, IOWA 52760	
		SCALE 1:6	DATE 26MAY21	DRAWN BY .	
		HYD CONN DIAGRAM			
NO.	DATE	REVISION		DRAWING NUMBER	
		THE INFORMATION DISCLOSED ON THIS DRAWING IS CONFIDENTIAL AND MUST NOT BE DISCLOSED OR USED IN ANY MANNER WHICH WILL BE DETRIMENTAL TO THE HWH CORPORATION		NEWMAR	
				MP71380 A/E	

ORIENTATION

← FRONT

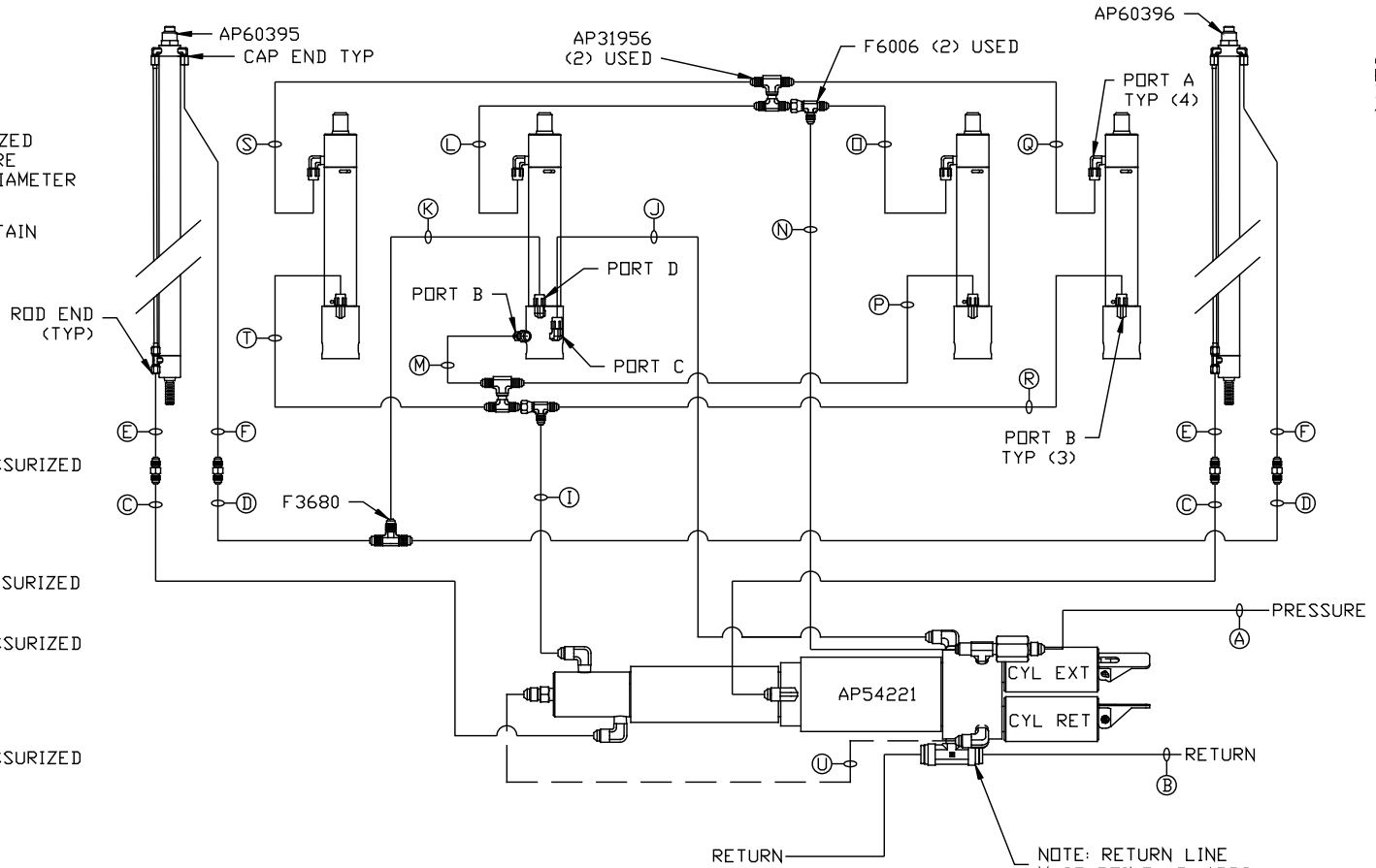
- Ⓐ HOSE ASSY 04
PRESSURE
- Ⓑ .375" OD NYLON TUBING
RETURN
- Ⓒ HOSE ASSY 04
ROD END - ALWAYS PRESSURIZED
- Ⓓ HOSE ASSY 04
CAP END
- Ⓔ HOSE ASSY 04
PRESSURE
- Ⓕ .375" OD NYLON TUBING
RETURN
- Ⓖ HOSE ASSY 04
ROD END - ALWAYS PRESSURIZED
- Ⓗ HOSE ASSY 04
CAP END



NOTE: INSTALLATION MUST CONFORM TO GOOD SHOP PRACTICES, SAE STANDARDS, RVIA STANDARDS, AND OTHER APPLICABLE STANDARDS.

MP71380 B/E
26MAY21

- Ⓐ HOSE ASSY 04
PRESSURE
- Ⓑ .375" OD NYLON TUBING
RETURN
- Ⓒ HOSE ASSY 03
ROD END - ALWAYS PRESSURIZED
HOSES MUST BE HIGH PRESSURE
AND OF EQUAL LENGTH AND DIAMETER
- Ⓓ HOSE ASSY 04
CAP END - HOSES MUST MAINTAIN
EQUAL LENGTH AND DIAMETER
- Ⓛ AP HOSE ASSY 04
CAP END (LIFT)
- Ⓜ HOSE ASSY 04
CAP END (ROOM)
- Ⓚ HOSE ASSY 03
CAP END (ROOM)
- Ⓛ HOSE ASSY 03
ROD END (LIFT) ALWAYS PRESSURIZED
- Ⓜ HOSE ASSY 04
CAP END (LIFT)
- Ⓝ HOSE ASSY 03
ROD END (LIFT) ALWAYS PRESSURIZED
- Ⓟ HOSE ASSY 04
CAP END (LIFT)
- Ⓠ HOSE ASSY 03
ROD END (LIFT) ALWAYS PRESSURIZED
- Ⓡ HOSE ASSY 04
CAP END (LIFT)
- Ⓢ HOSE ASSY 03
ROD END (LIFT)
ALWAYS PRESSURIZED
- Ⓣ HOSE ASSY 04
CAP END (LIFT)



AP60397
ROOM KIT
DRIVER SIDE
4051 FLOOR PLAN

NOTES:
FOR CONNECTION CLARITY ONLY THE CYLINDERS ARE
SHOWN.
HOSE Ⓣ IS INCLUDED WITH THE SYNC. CYLINDER.

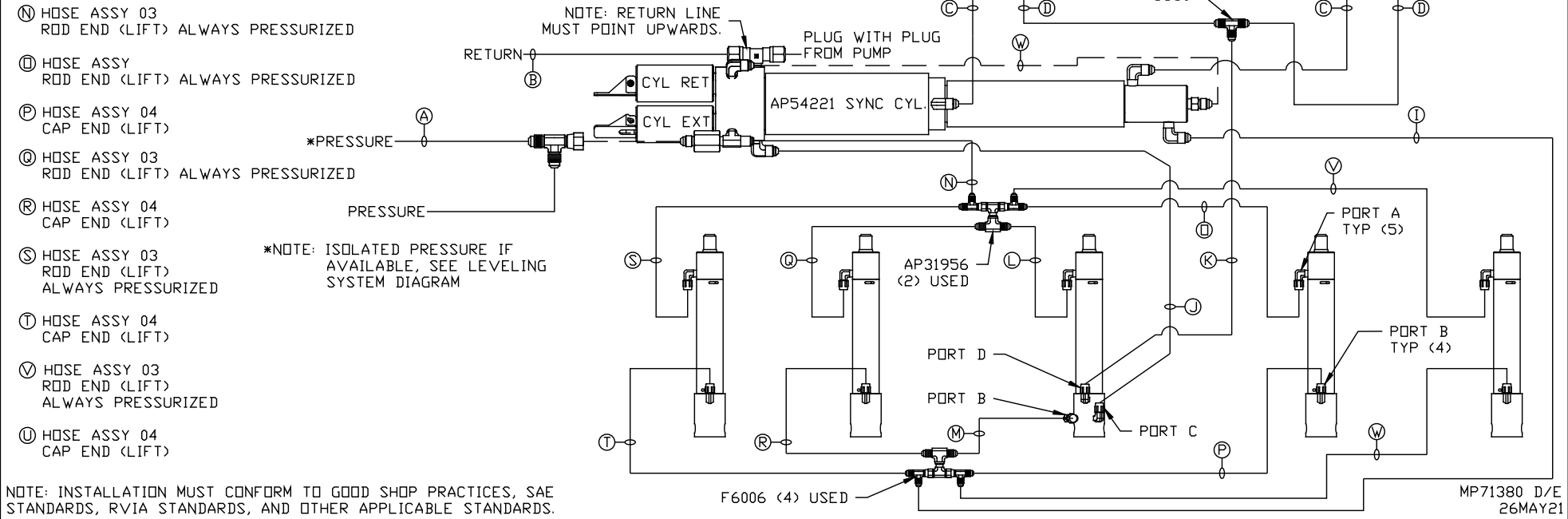
NOTE: INSTALLATION MUST CONFORM TO GOOD SHOP PRACTICES, SAE
STANDARDS, RVIA STANDARDS, AND OTHER APPLICABLE STANDARDS.

MP71380 C/E
26MAY21

- Ⓐ HOSE ASSY 04
PRESSURE
- Ⓑ .375" OD NYLON TUBING
RETURN
- Ⓒ HOSE ASSY 03
ROD END - ALWAYS PRESSURIZED
HOSES MUST BE HIGH PRESSURE
AND OF EQUAL LENGTH AND DIAMETER
- Ⓓ HOSE ASSY 04
CAP END - HOSES MUST MAINTAIN
EQUAL LENGTH AND DIAMETER
- Ⓚ AP HOSE ASSY 04
CAP END (LIFT)
- Ⓛ HOSE ASSY 04
CAP END (ROOM)
- Ⓚ HOSE ASSY 03
CAP END (ROOM)
- Ⓛ HOSE ASSY 03
ROD END (LIFT) ALWAYS PRESSURIZED
- Ⓜ HOSE ASSY 04
CAP END (LIFT)
- Ⓝ HOSE ASSY 03
ROD END (LIFT) ALWAYS PRESSURIZED
- Ⓞ HOSE ASSY 03
ROD END (LIFT) ALWAYS PRESSURIZED
- Ⓟ HOSE ASSY 04
CAP END (LIFT)
- Ⓠ HOSE ASSY 03
ROD END (LIFT) ALWAYS PRESSURIZED
- Ⓡ HOSE ASSY 04
CAP END (LIFT)
- Ⓢ HOSE ASSY 03
ROD END (LIFT)
ALWAYS PRESSURIZED
- Ⓣ HOSE ASSY 04
CAP END (LIFT)
- Ⓤ HOSE ASSY 03
ROD END (LIFT)
ALWAYS PRESSURIZED
- Ⓡ HOSE ASSY 04
CAP END (LIFT)

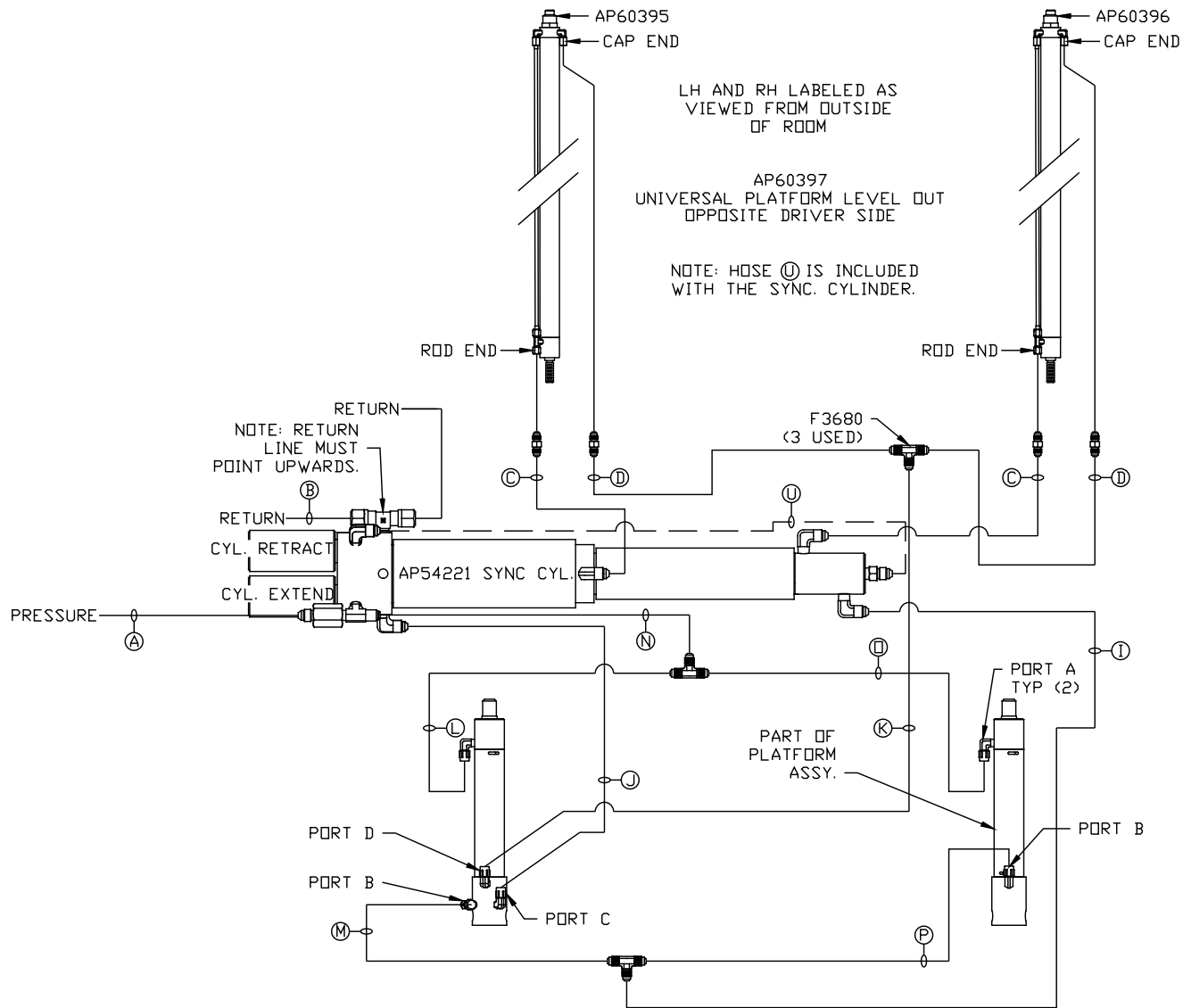
NOTES:

FOR CONNECTION CLARITY ONLY THE CYLINDERS ARE SHOWN.
HOSE Ⓢ IS INCLUDED WITH THE SYNC. CYLINDER.



AP60397
ROOM KIT
DRIVER SIDE
4061 FLOOR PLAN

NOTE: INSTALLATION MUST CONFORM TO GOOD SHOP PRACTICES, SAE STANDARDS, RVIA STANDARDS, AND OTHER APPLICABLE STANDARDS.



- (A) HOSE ASSY 04
PRESSURE
- (B) .375" OD NYLON TUBING
RETURN
- (C) HOSE ASSY 03
ROD END - ALWAYS PRESSURIZED - MUST
BE HIGH PRESSURE HOSES OF EQUAL
LENGTH AND DIAMETER
- (D) HOSE ASSY 04
CAP END - MUST MAINTAIN EQUAL LENGTH
AND DIAMETER
- (I) HOSE ASSY 04
CAP END (LIFT)
- (J) HOSE ASSY 03
CAP END (ROOM)
- (K) HOSE ASSY 03
CAP END (ROOM)
- (L) HOSE ASSY 03
ROD END (LIFT) - ALWAYS PRESSURIZED
- (M) HOSE ASSY 03
CAP END (LIFT)
- (N) HOSE ASSY 04
ROD END - ALWAYS PRESSURIZED (LIFT)
- (O) HOSE ASSY 03
ROD END (LIFT) - ALWAYS PRESSURIZED
- (P) HOSE ASSY 03
CAP END LIFT
- (U) STEEL TUBE
CAP END (LIFT)

NOTE: INSTALLATION MUST CONFORM TO GOOD SHOP PRACTICES, SAE STANDARDS, RVIA STANDARDS, AND OTHER APPLICABLE STANDARDS.

MP71380 E/E
26MAY21