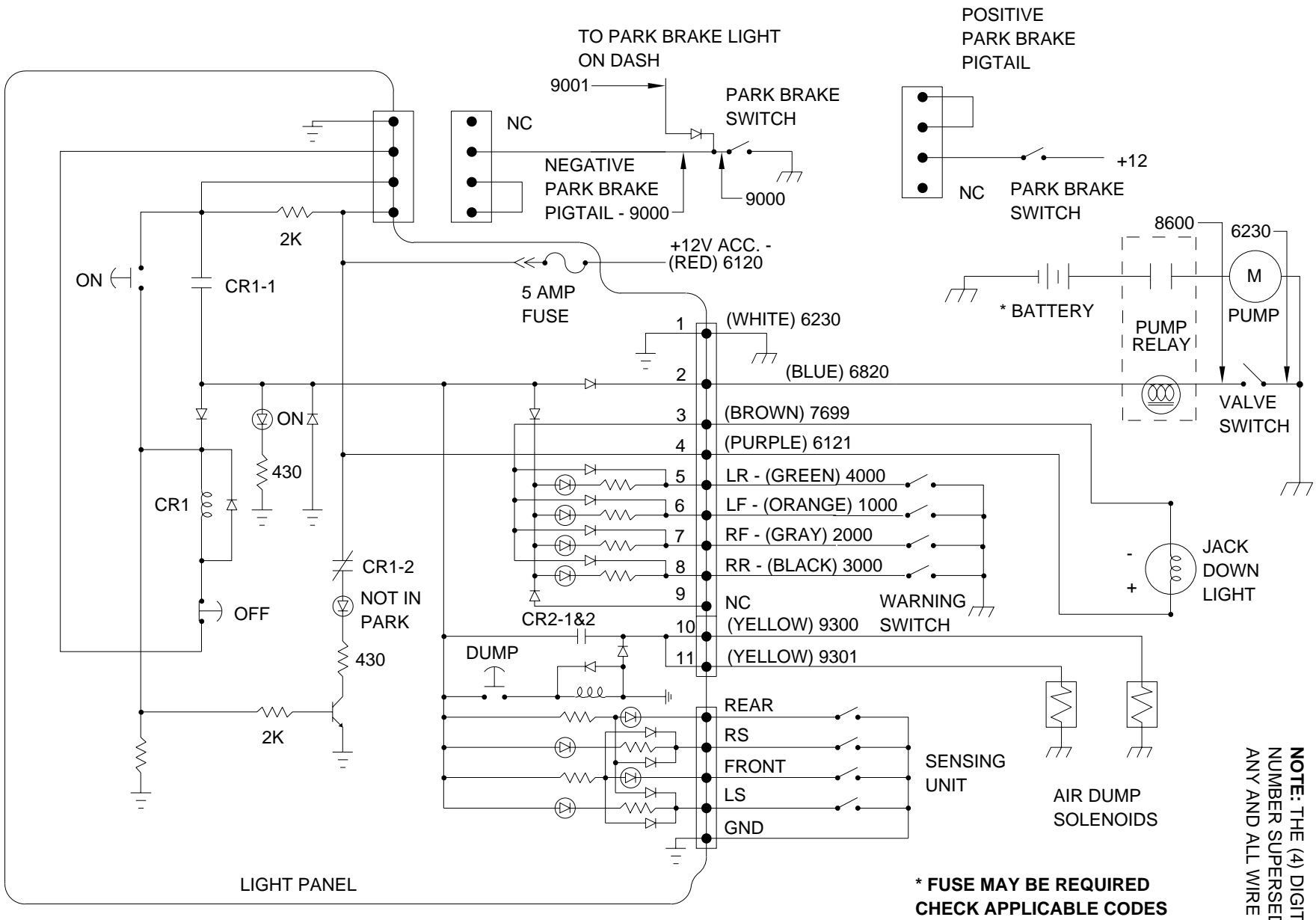


ELECTRICAL SCHEMATIC 200 SERIES LEVELING SYSTEM LIGHT PANEL KICK-DOWN JACKS WITH AIR DUMP FEATURE



NOTE: THE (4) DIGIT WIRE NUMBER SUPERSEDES ANY AND ALL WIRE COLORS.