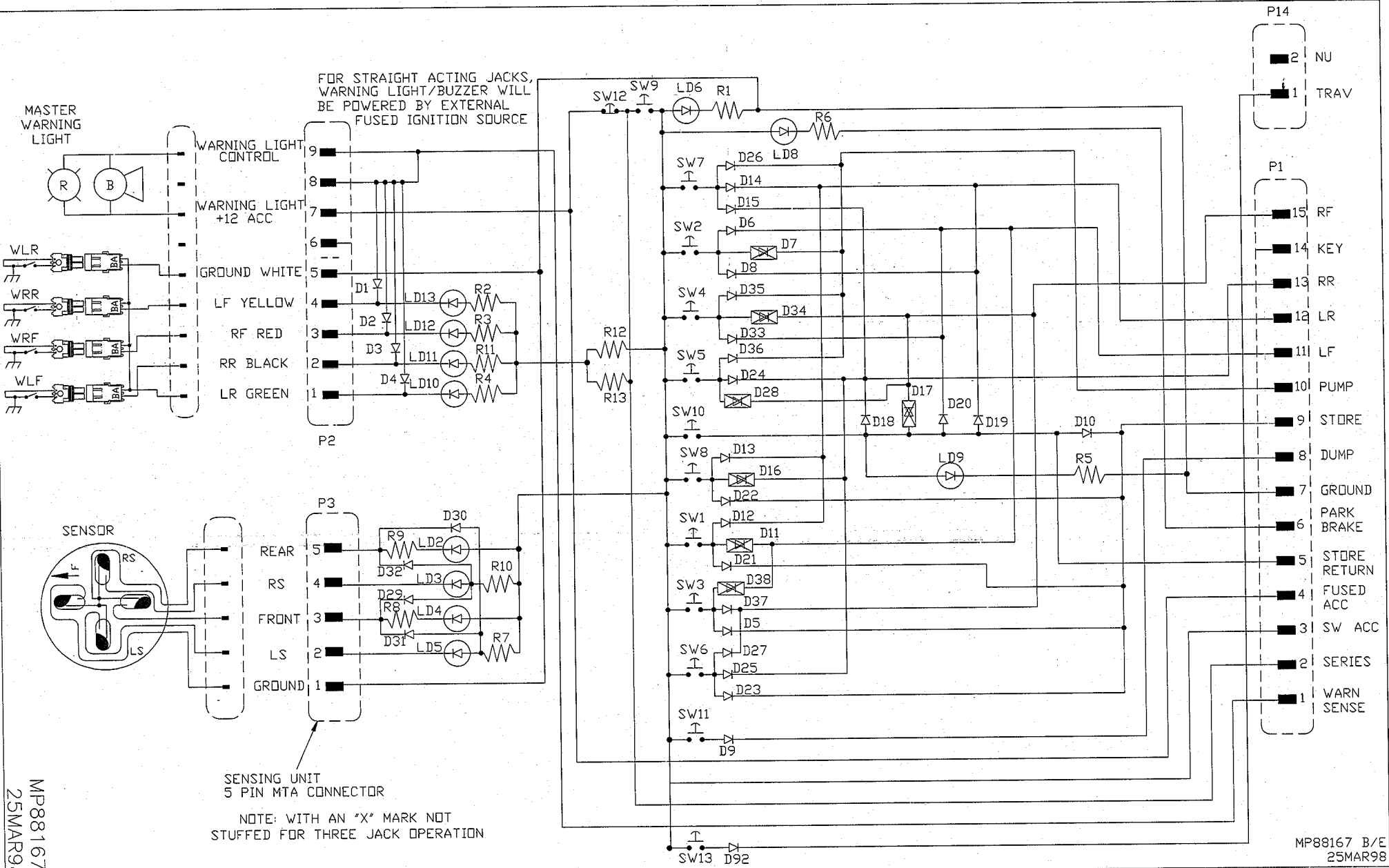


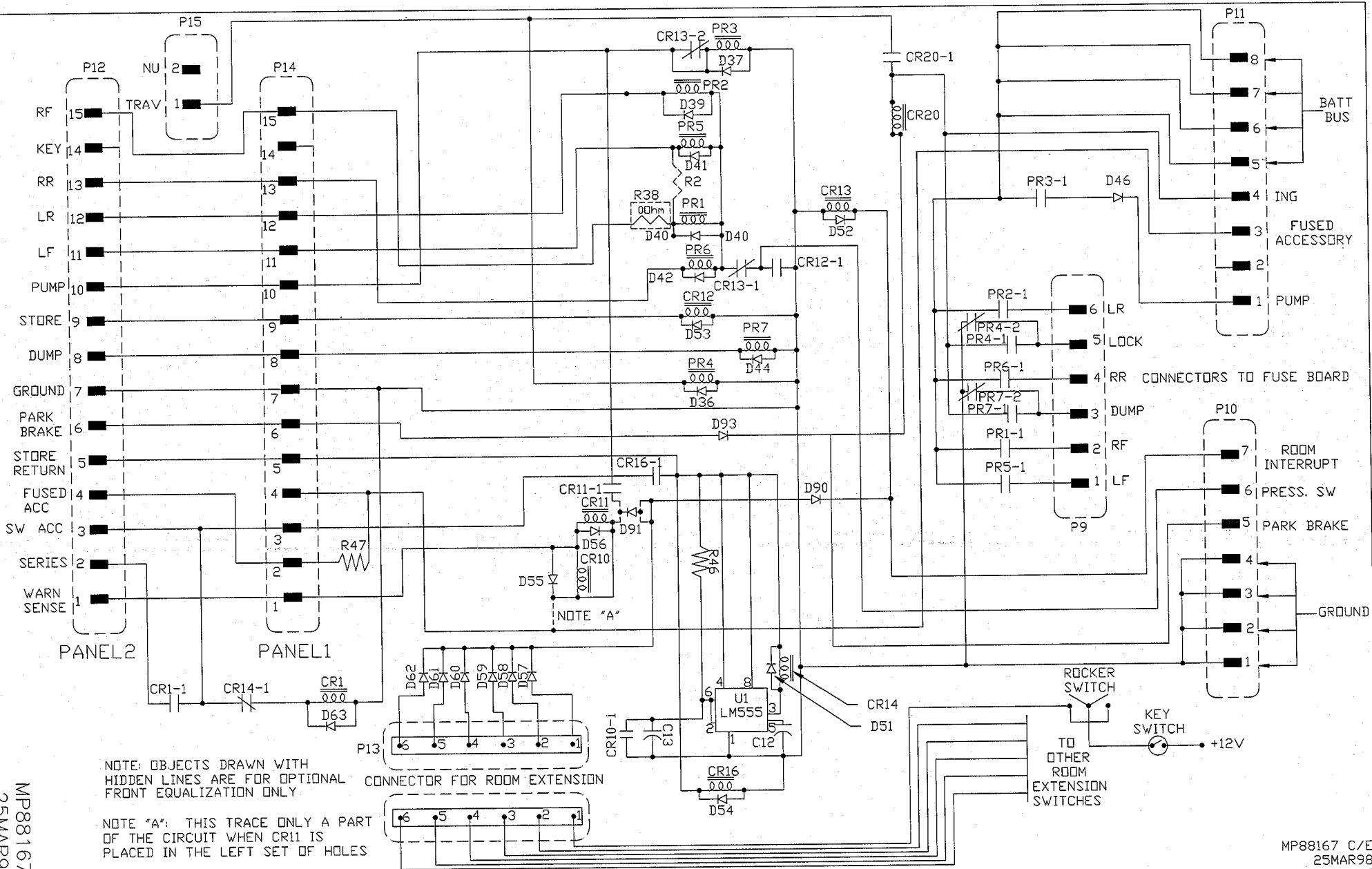
			HWH			I-80 EXIT 267 SOUTH RT 1 MDSOW, IOWA 52760		
			SCALE 1:1	DATE 25MAR98	DRAWN BY .			
			310 LEVELING SYSTEM					
			MOTORIZED					
			DRAWING NUMBER MP88167 A/E					
NO.	DATE	REVISION	THE INFORMATION DISCLOSED ON THIS DRAWING IS CONFIDENTIAL AND MUST NOT BE DISCLOSED OR USED IN ANY MANNER WHICH WILL BE DETRIMENTAL TO THE HWH CORPORATION					

MP88167A
25MAR98



MP88167B
25MAR98

MP88167 B/E
25MAR98



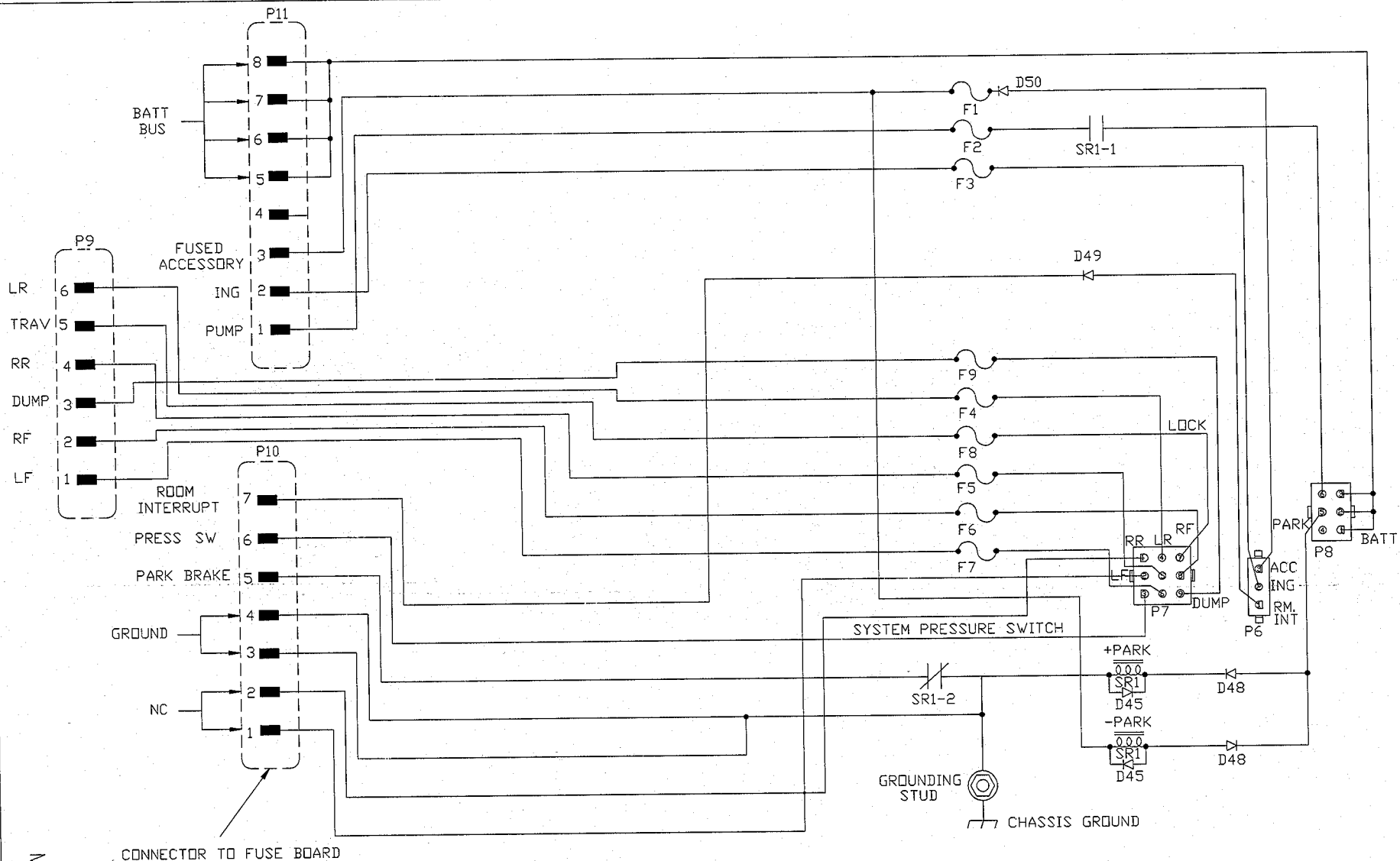
NOTE: OBJECTS DRAWN WITH HIDDEN LINES ARE FOR OPTIONAL FRONT EQUALIZATION ONLY

NOTE *A*: THIS TRACE ONLY A PART OF THE CIRCUIT WHEN CR11 IS PLACED IN THE LEFT SET OF HOLES

CONNECTOR FOR ROOM EXTENSION

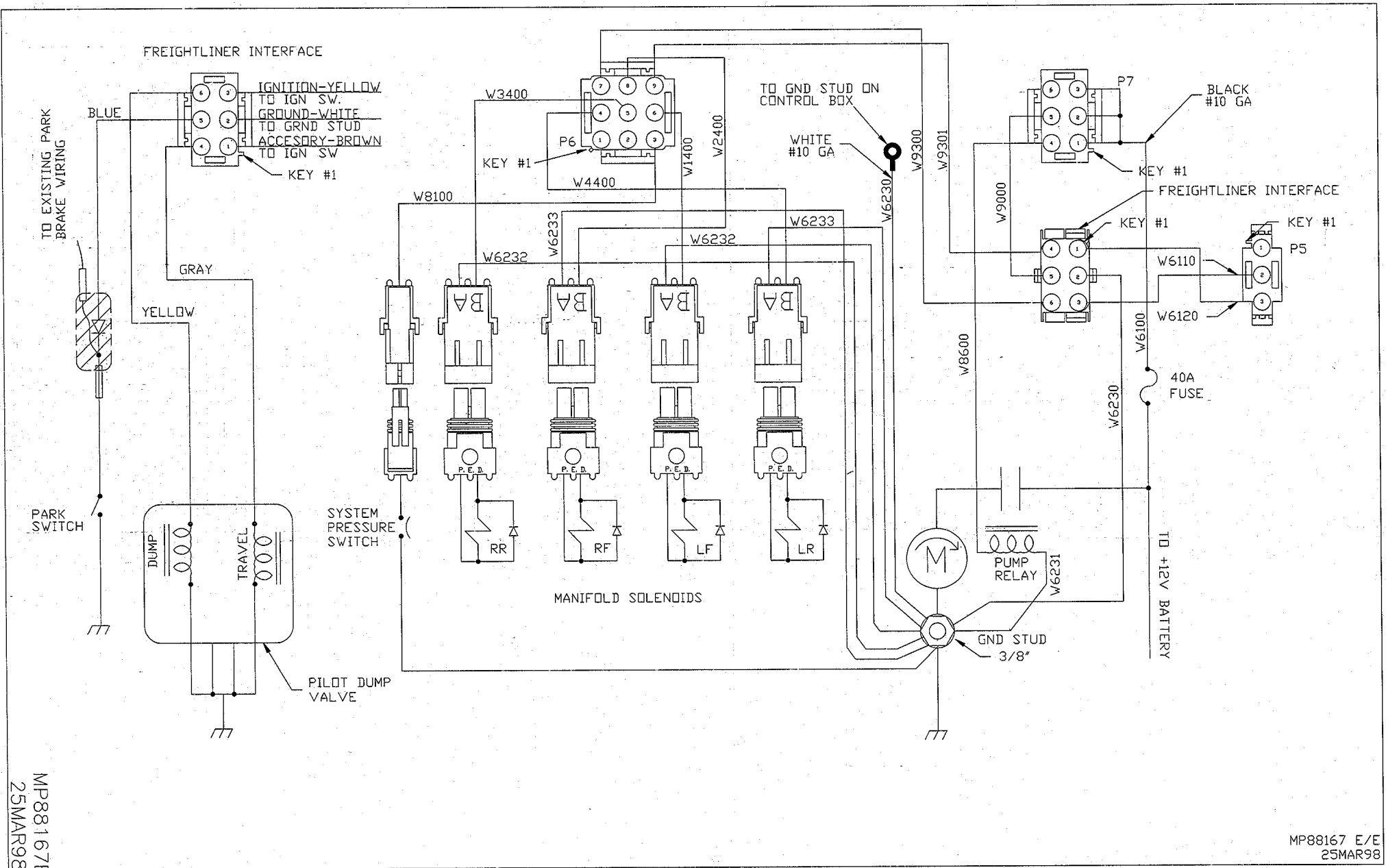
MP88167C
25MAR98

MP88167 C/E
25MAR98



MP88167D
 25MAR98

MP88167 D/E
 25MAR98



MP88167E
25MAR98

MP88167 E/E
25MAR98