

P6
 1. N/C
 2. N/C
 3. RED<W6120> ACC.

P8
 1. BLK<W6800> SWITCHED BATT.
 2. BLK<W6800> SWITCHED BATT.
 3. BLK<W6800> SWITCHED BATT.
 4. BLK<W8500> MASTER RELAY
 5. BLK<W9000> PARK BRAKE
 6. BLK<W8600> PUMP RELAY

P7
 1. BLK<W7601> CRX 2
 2. BLK<W7600> CRX 1
 3. BLK<W8100> PRESS. SW.
 4. BLK<W4400> LR SOLENOID
 5. BLK<W3400> RR SOLENOID
 6. BLK<W1400> LF SOLENOID
 7. N/C
 8. BLK<W2400> RF SOLENOID
 9. N/C

NOTE: WIRE NUMBERS ON THIS SHEET ARE REFERENCED TO HARNESS PLUGS.

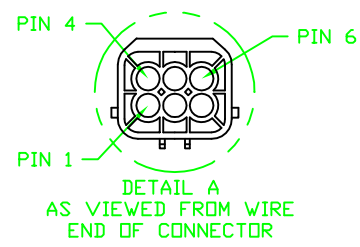
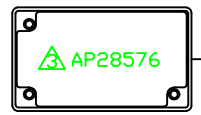
NOTE: INSTALLATION MUST CONFORM TO GOOD SHOP PRACTICES, SAE STANDARDS, RVIA STANDARDS, AND OTHER APPLICABLE STANDARDS.

		HWH		I-80 EXIT 267 SOUTH RT 1 MOSCOW, IOWA 52760	
3	15MAY08	WAS AP6798		SCALE 1:3	DATE 17APR98
2	15MAY08	REDRAWN TO 1:3 SCALE		DRAWN BY .	
1	13MAY99	UPDATED TO NEW STRDS		SYSTEM SCHEMATIC ELEC	
NO.	DATE	REVISION			
THE INFORMATION DISCLOSED ON THIS DRAWING IS CONFIDENTIAL AND MUST NOT BE DISCLOSED OR USED IN ANY MANNER WHICH WILL BE DETRIMENTAL TO THE HWH CORPORATION				DRAWING NUMBER MP88207 A/B	

NOTE: WIRE NUMBERS ON THIS SHEET ARE REFERENCED TO HARNESS PLUGS.



*** AP28578 INCLUDES: AP28573 AND AP28576.

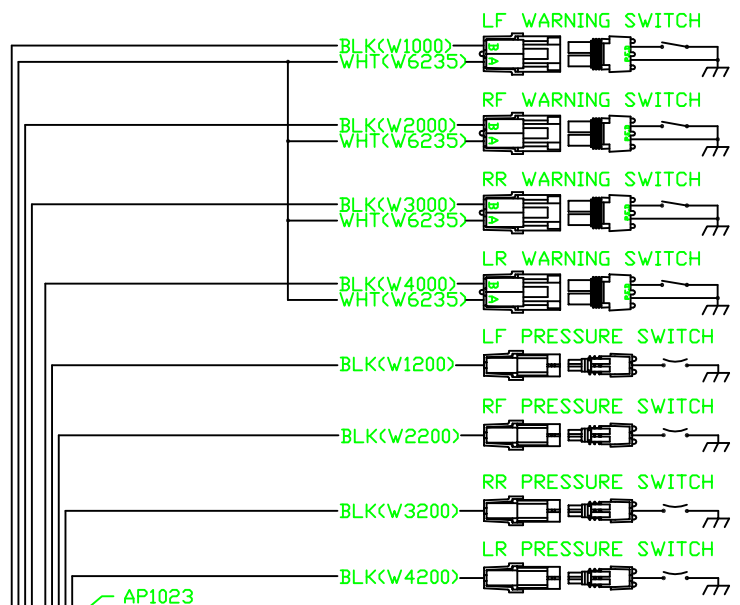
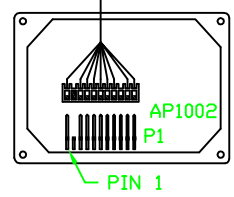
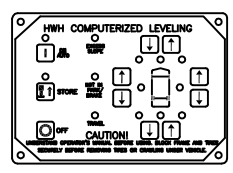


- PIN
1. FRONT SENSE (ORANGE)
 2. GROUND (WHITE)
 3. ACCESSORY (RED)
 4. LEFT SIDE SENSE (YELLOW)
 5. REAR SENSE (BLACK)
 6. RIGHT SIDE SENSE (GREEN)
- P4
1. FRONT SENSE (ORANGE)
 2. LEFT SIDE SENSE (GREEN)
 3. REAR SENSE (BLACK)
 4. RIGHT SIDE SENSE (YELLOW)
 5. GROUND (WHITE)

REAR OF AP1111

GREEN

- P1-P2
1. BLACK (CR1)
 2. KEY PIN
 3. ORANGE (ACC.)
 4. BROWN (SW ACC.)
 5. RED (NOT USED)
 6. PURPLE (NOT USED)
 7. WHITE (GROUND)
 8. GREEN/BLACK (TRAVEL)
 9. N/C
 10. YELLOW (SCL)
 11. BLUE (SDL)



- P5
1. WHT(W6235) GROUND
 2. BLK(W1000) LF JACK WARN
 3. BLK(W2000) RF JACK WARN
 4. BLK(W3000) RR JACK WARN
 5. BLK(W4000) LR JACK WARN
 6. KEY PIN
 7. BLK(W1200) LF PRESS. SW.
 8. BLK(W2200) RF PRESS. SW.
 9. BLK(W3200) RR PRESS. SW.
 10. BLK(W4200) LR PRESS. SW.

- P3
1. - 3. N/C
 4. BLK(W7699) WARN LIGHT/BUZZER CONTROL
 5. KEY PIN
 6. N/C

NOTE: INSTALLATION MUST CONFORM TO GOOD SHOP PRACTICES, SAE STANDARDS, RVIA STANDARDS, AND OTHER APPLICABLE STANDARDS.