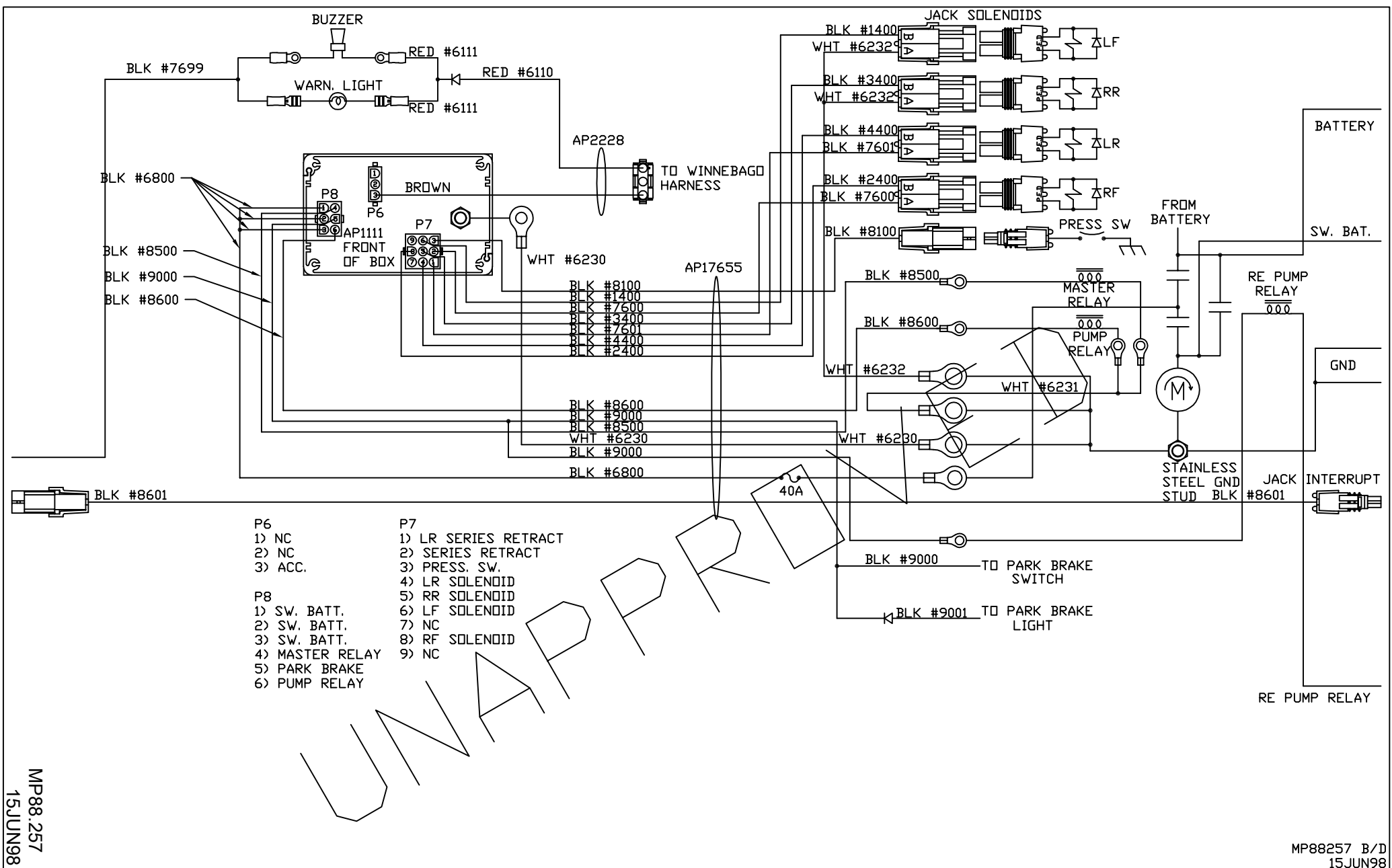


MP88.257A
15JUN98

		HWH		I-80 EXIT 267 SOUTH RT 1 MOSCOW, IOWA 52760	
		SCALE 1:2	DATE 15JUN98	DRAWN BY .	
		SCHEMATIC SYSTEM			
NO.	DATE	REVISION			
		THE INFORMATION DISCLOSED ON THIS DRAWING IS CONFIDENTIAL AND MUST NOT BE DISCLOSED OR USED IN ANY MANNER WHICH WILL BE DETRIMENTAL TO THE HWH CORPORATION			DRAWING NUMBER MP88257 A/D
		ELECTRICAL			

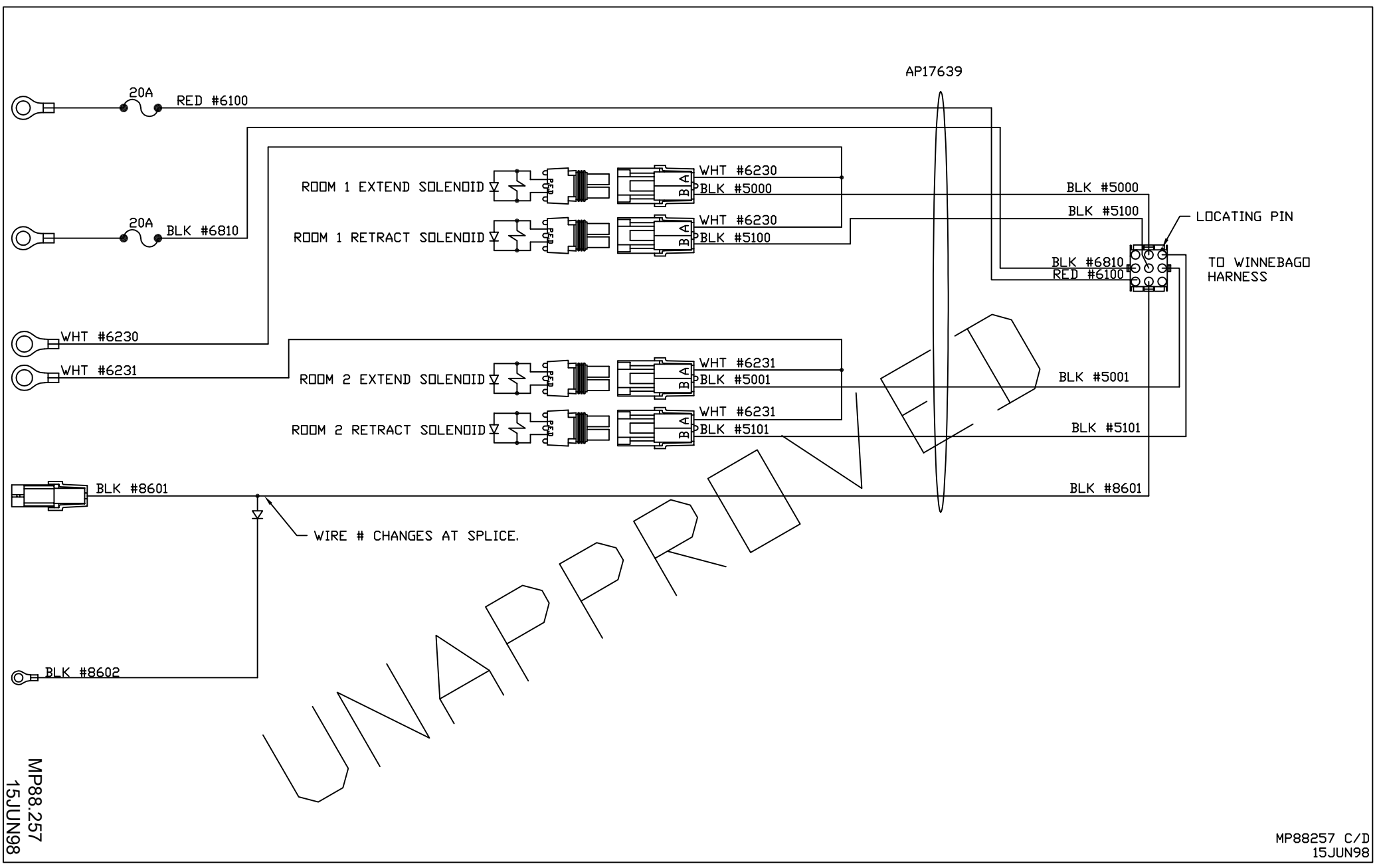


- P6
 1) NC
 2) NC
 3) ACC.
- P7
 1) LR SERIES RETRACT
 2) SERIES RETRACT
 3) PRESS. SW.
 4) LR SOLENOID
 5) RR SOLENOID
 6) LF SOLENOID
 7) NC
 8) RF SOLENOID
 9) NC
- P8
 1) SW. BATT.
 2) SW. BATT.
 3) SW. BATT.
 4) MASTER RELAY
 5) PARK BRAKE
 6) PUMP RELAY

UNAPPROVED

MP88.257
 15JUN98

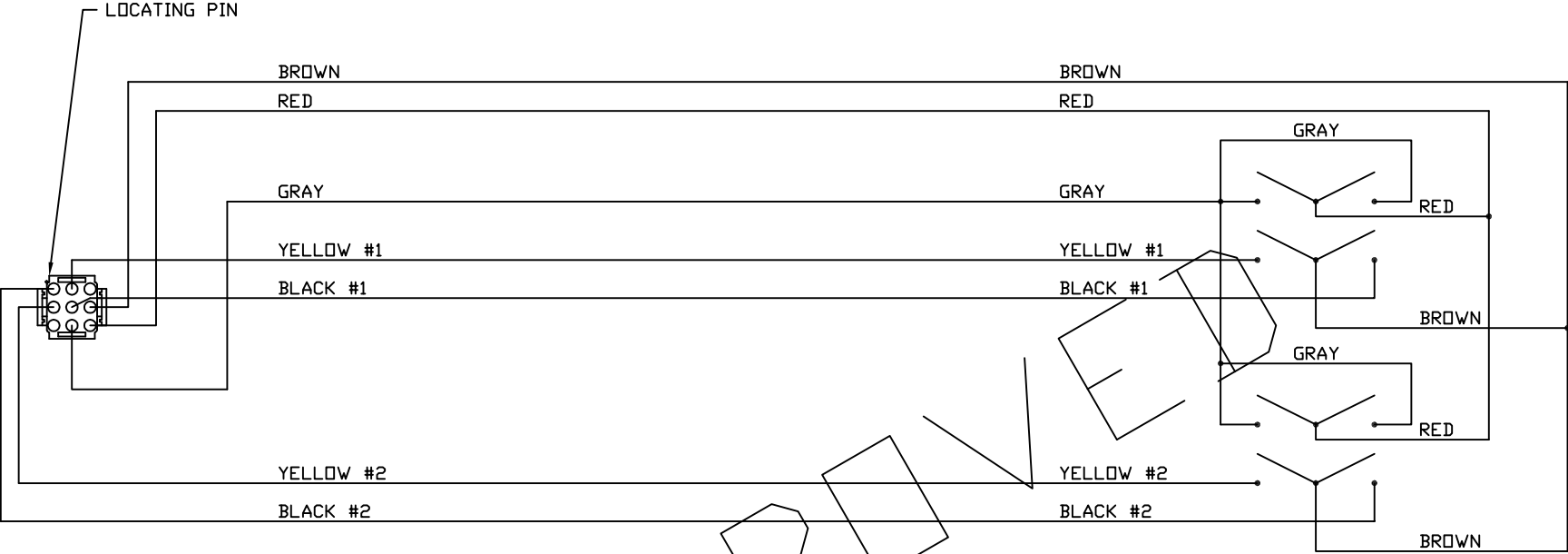
MP88257 B/D
 15JUN98



MP88.257
15JUN98

MP88257 C/D
15JUN98

NOT SUPPLIED BY HWH



UNAPPROVED

MP88.257
15JUN98

MP88257 D/D
15JUN98