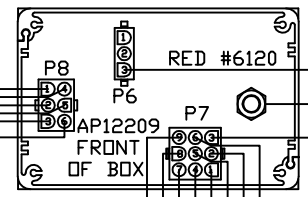
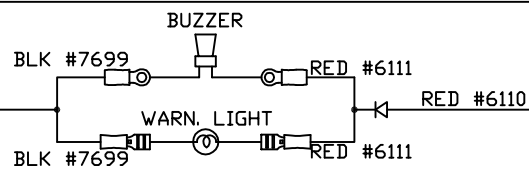
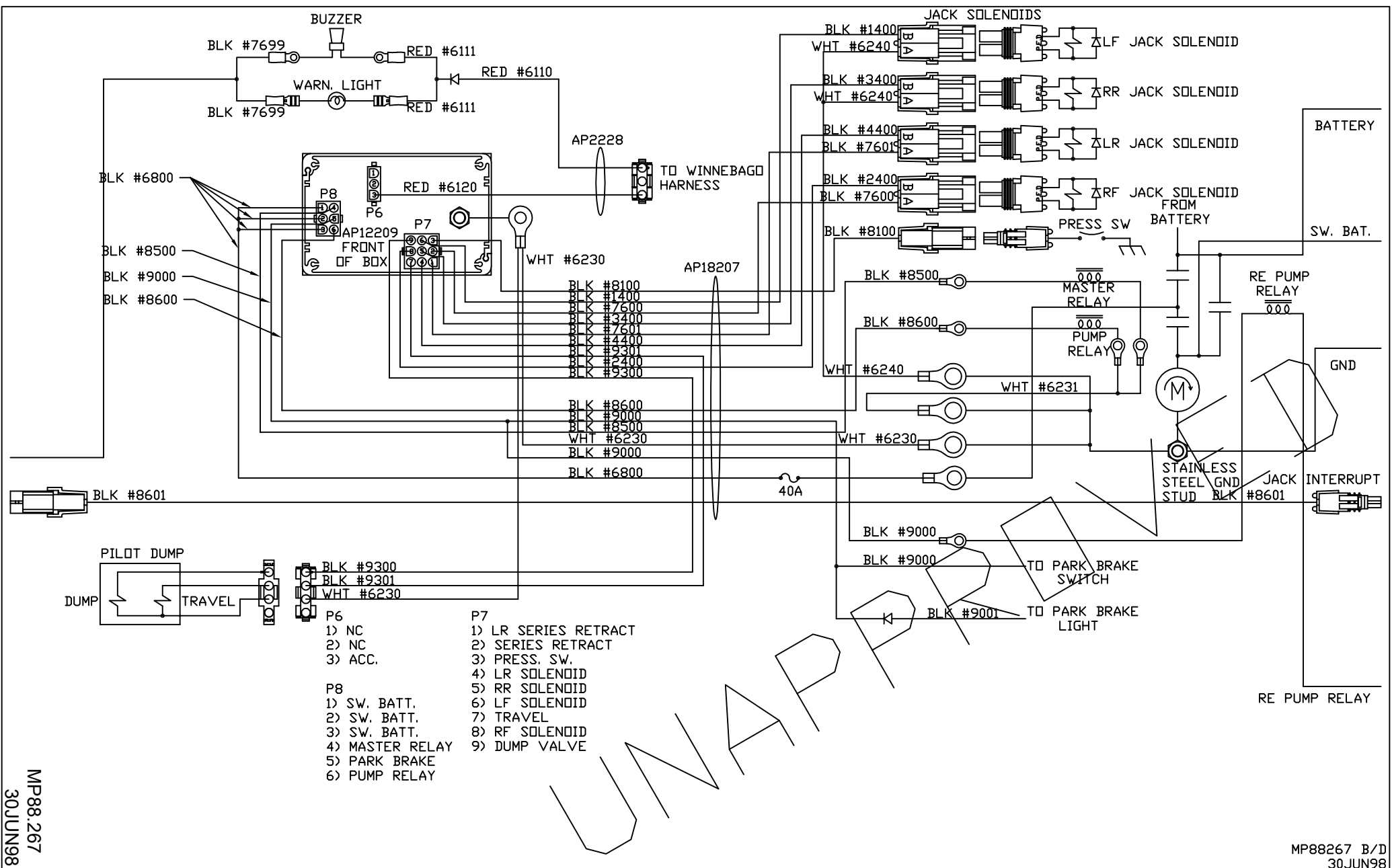


MP88.267A
 30JUN98

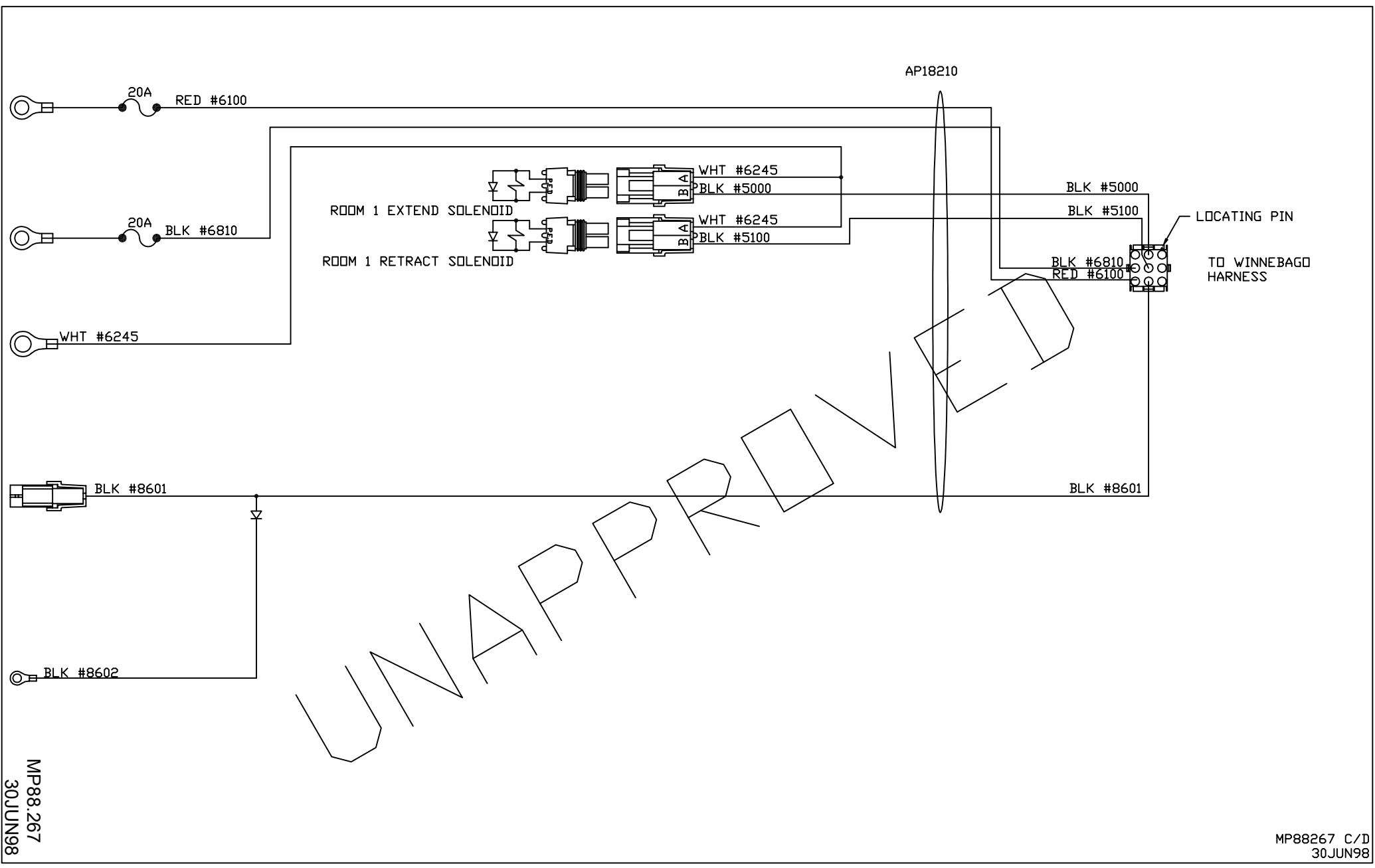
		HWH		I-80 EXIT 267 SOUTH RT 1 MOSCOW, IOWA 52760	
		SCALE 1:2	DATE 30JUN98	DRAWN BY .	
		SCHEMATIC SYSTEM			
NO.	DATE	REVISION			
		THE INFORMATION DISCLOSED ON THIS DRAWING IS CONFIDENTIAL AND MUST NOT BE DISCLOSED OR USED IN ANY MANNER WHICH WILL BE DETRIMENTAL TO THE HWH CORPORATION			
			ELECTRICAL		DRAWING NUMBER MP88267 A/D



- P6
- 1) NC
 - 2) NC
 - 3) ACC.
- P7
- 1) LR SERIES RETRACT
 - 2) SERIES RETRACT
 - 3) PRESS. SW.
 - 4) LR SOLENOID
 - 5) RR SOLENOID
 - 6) LF SOLENOID
 - 7) TRAVEL
 - 8) RF SOLENOID
 - 9) DUMP VALVE
- P8
- 1) SW. BATT.
 - 2) SW. BATT.
 - 3) SW. BATT.
 - 4) MASTER RELAY
 - 5) PARK BRAKE
 - 6) PUMP RELAY

MP88267
30JUN98

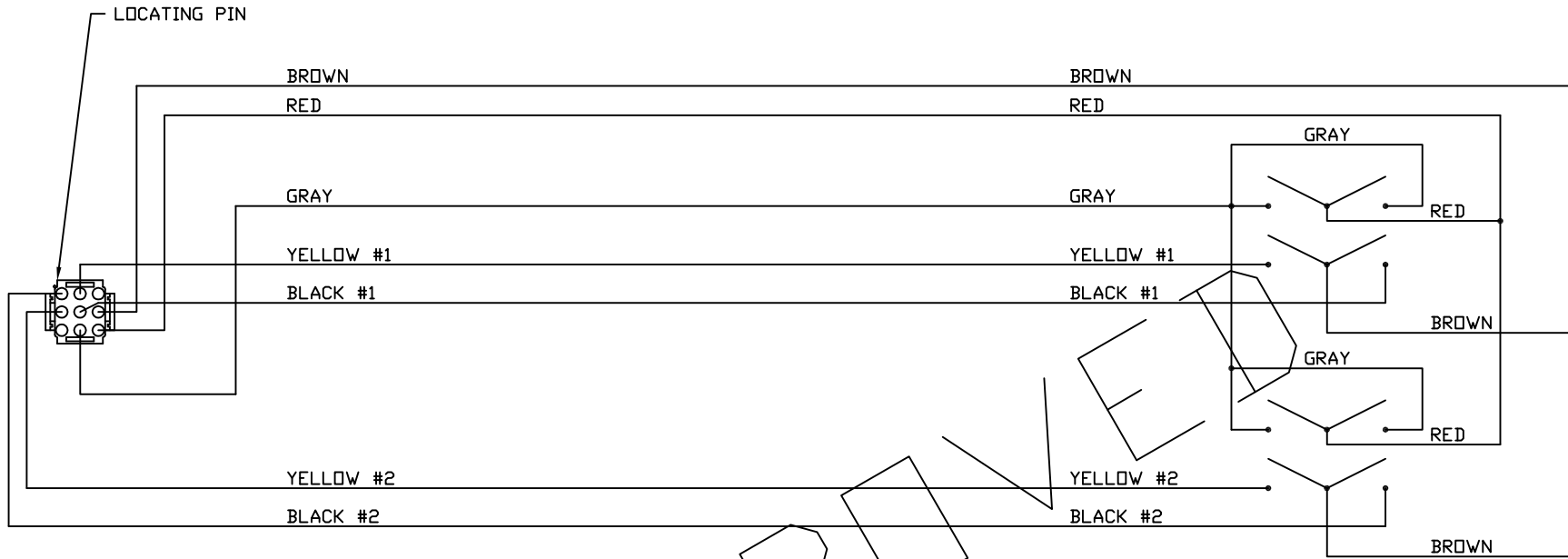
MP88267 B/D
30JUN98



MP88.267
30JUN98

MP88267 C/D
30JUN98

NOT SUPPLIED BY HWH



UNAPPROVED

MP88.267
30JUN98

MP88267 D/D
30JUN98