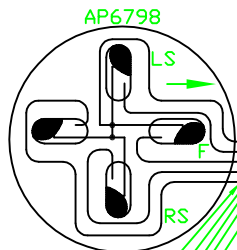


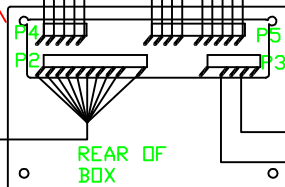
- P5
- 1) GND
 - 2) LF JACK WARN.
 - 3) RF JACK WARN.
 - 4) RR JACK WARN.
 - 5) LR JACK WARN.
 - 6) KEYING PIN
 - 7) RF PRESS. SW.
 - 8) LF PRESS. SW.
 - 9) RR PRESS. SW.
 - 10) LR PRESS. SW.

- P4
- 1) RR SENSE. (RED)
 - 2) RS SENSE. (GREEN)
 - 3) FR SENSE. (BLACK)
 - 4) LS SENSE. (YELLOW)
 - 5) GND (WHITE)



RED
GREEN
BLACK
YELLOW
WHITE

AP17696

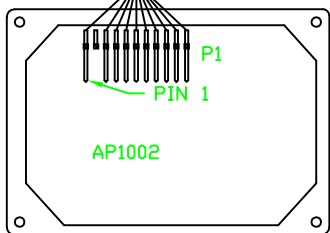


BLK #8601

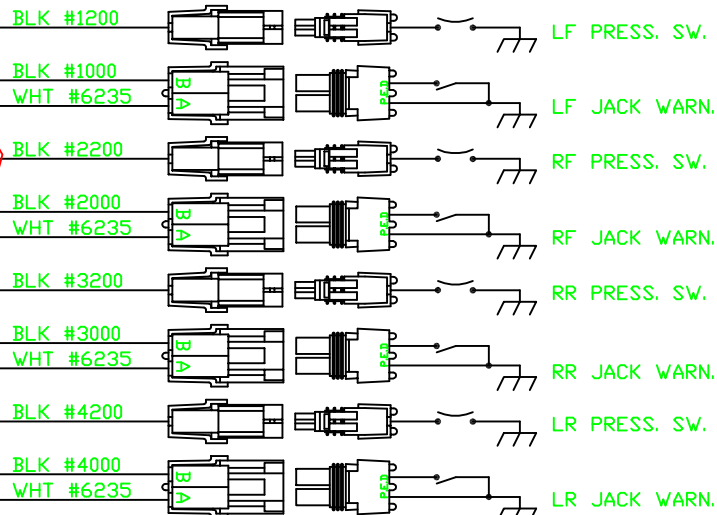
BLK #7699

- P3
- 1) NC
 - 2) JACK INTERRUPT
 - 3) NC
 - 4) WARN LIGHT CONTROL
 - 5) KEY PIN
 - 6) NC

- P1-P2
- 1) BLACK (CR1)
 - 2) KEY PIN
 - 3) ORANGE (ACC.)
 - 4) BROWN (SW. ACC.)
 - 5) RED (NOT USED)
 - 6) PURPLE (NOT USED)
 - 7) WHITE (GND)
 - 8) GREEN/BLACK (TRAVEL)
 - 9) NC
 - 10) YELLOW (SCL)
 - 11) BLUE (SDL)



AP16473



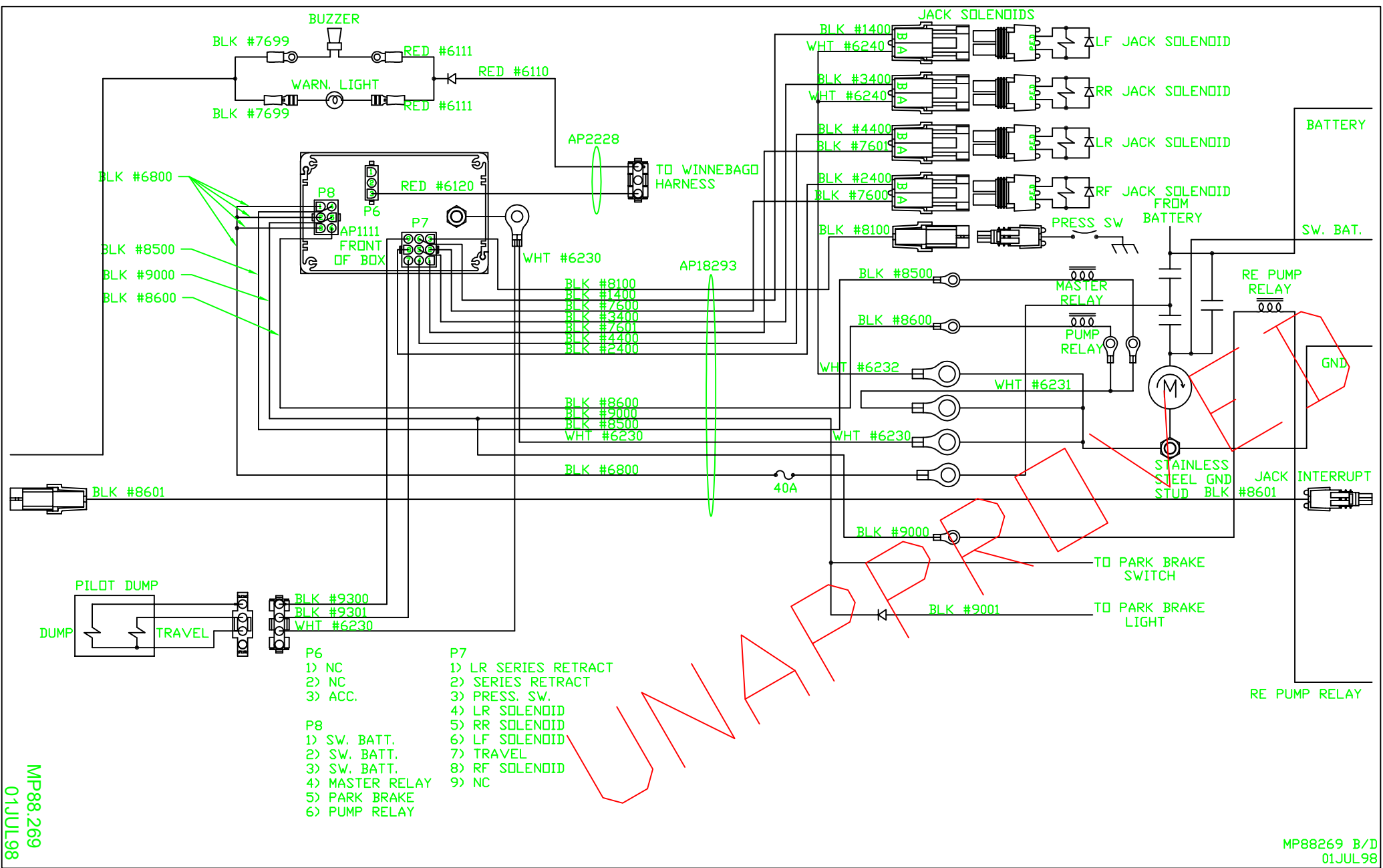
BLK #7699

AP17632

BLK #8601

HWH		I-80 EXIT 267 SOUTH RT 1 MOSCOW, IDWA 52760	
SCALE 1:2	DATE 01JUL98	DRAWN BY .	
SCHEMATIC SYSTEM			
NO.		REVISION	
THE INFORMATION DISCLOSED ON THIS DRAWING IS CONFIDENTIAL AND MUST NOT BE DISCLOSED OR USED IN ANY MANNER WHICH WILL BE DETRIMENTAL TO THE HWH CORPORATION		DRAWING NUMBER MP88269 A/D	
ELECTRICAL			

MP88.269A
01JUL98

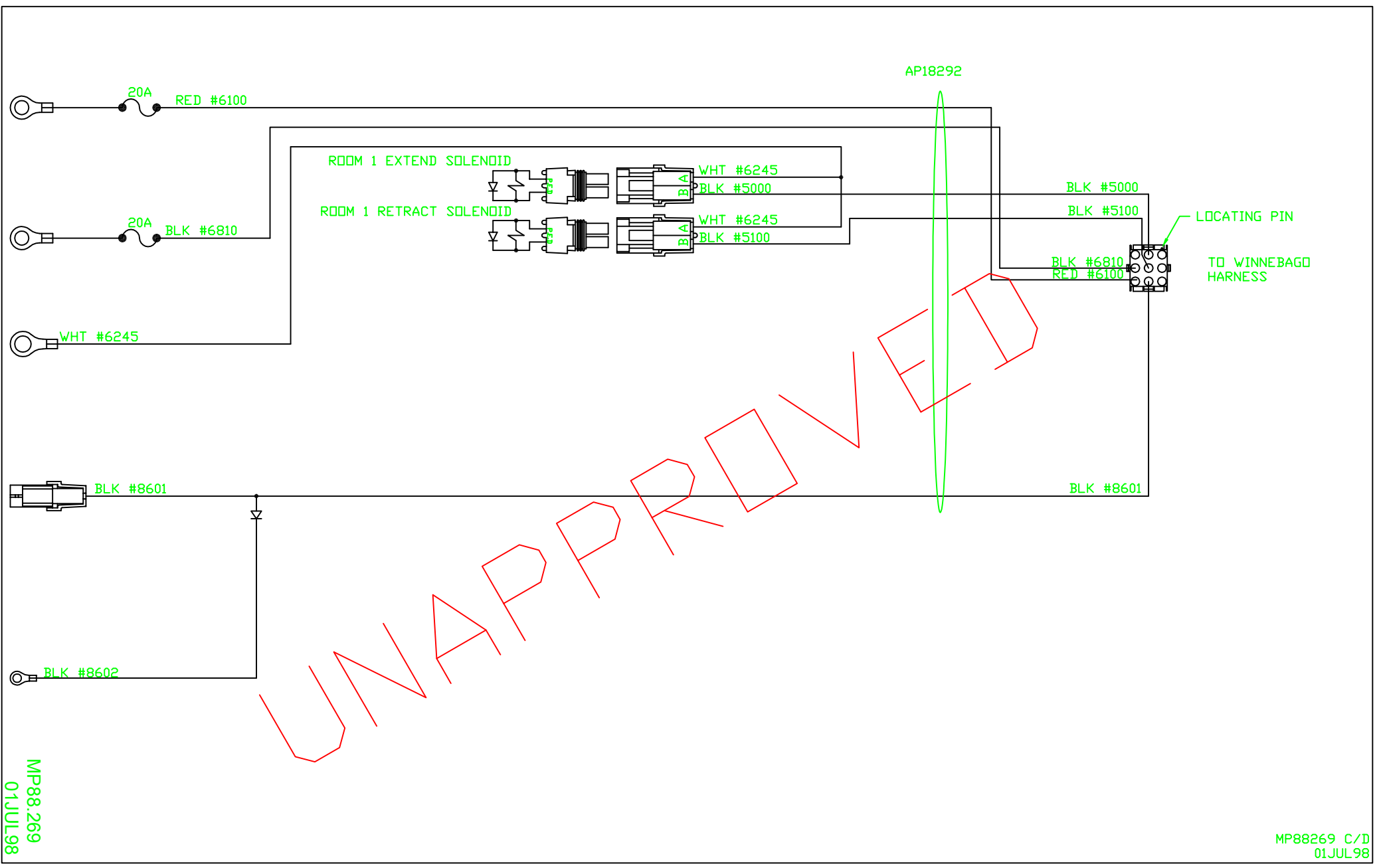


MP88269
01JUL98

- P6
 1) NC
 2) NC
 3) ACC.
- P7
 1) LR SERIES RETRACT
 2) SERIES RETRACT
 3) PRESS. SW.
 4) LR SOLENOID
 5) RR SOLENOID
 6) LF SOLENOID
 7) TRAVEL
 8) RF SOLENOID
 9) NC
- P8
 1) SW. BATT.
 2) SW. BATT.
 3) SW. BATT.
 4) MASTER RELAY
 5) PARK BRAKE
 6) PUMP RELAY

WARNING

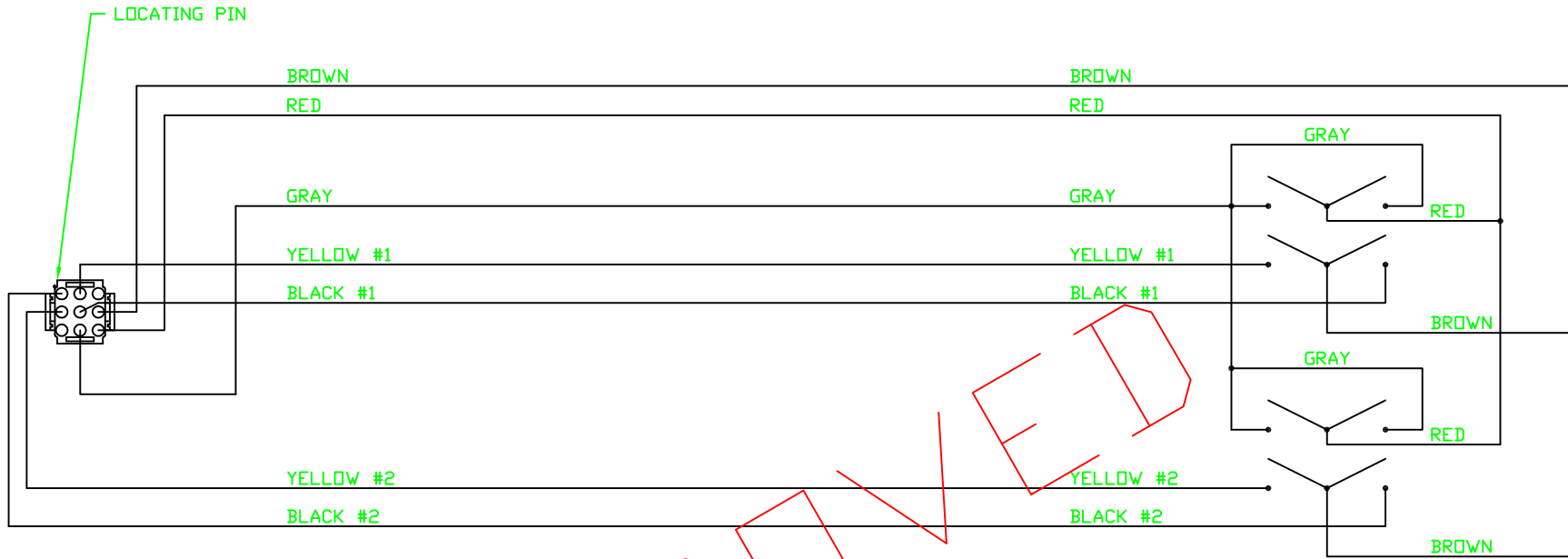
MP88269 B/D
01JUL98



MP88.269
01JUL98

MP88269 C/D
01JUL98

NOT SUPPLIED BY HWH



UNAPPROVED

MP88.269
01JUL98

MP88269 D/D
01JUL98