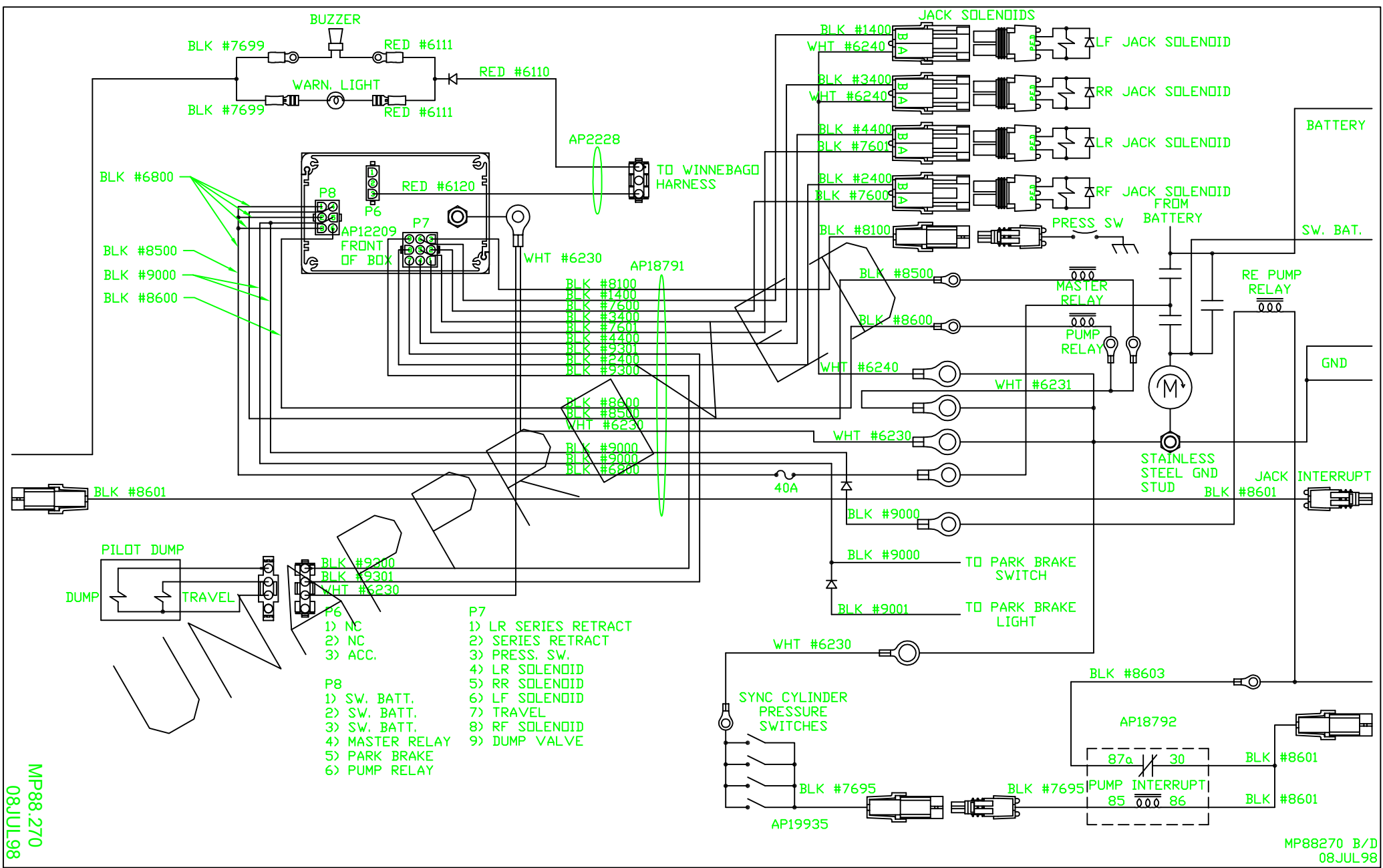


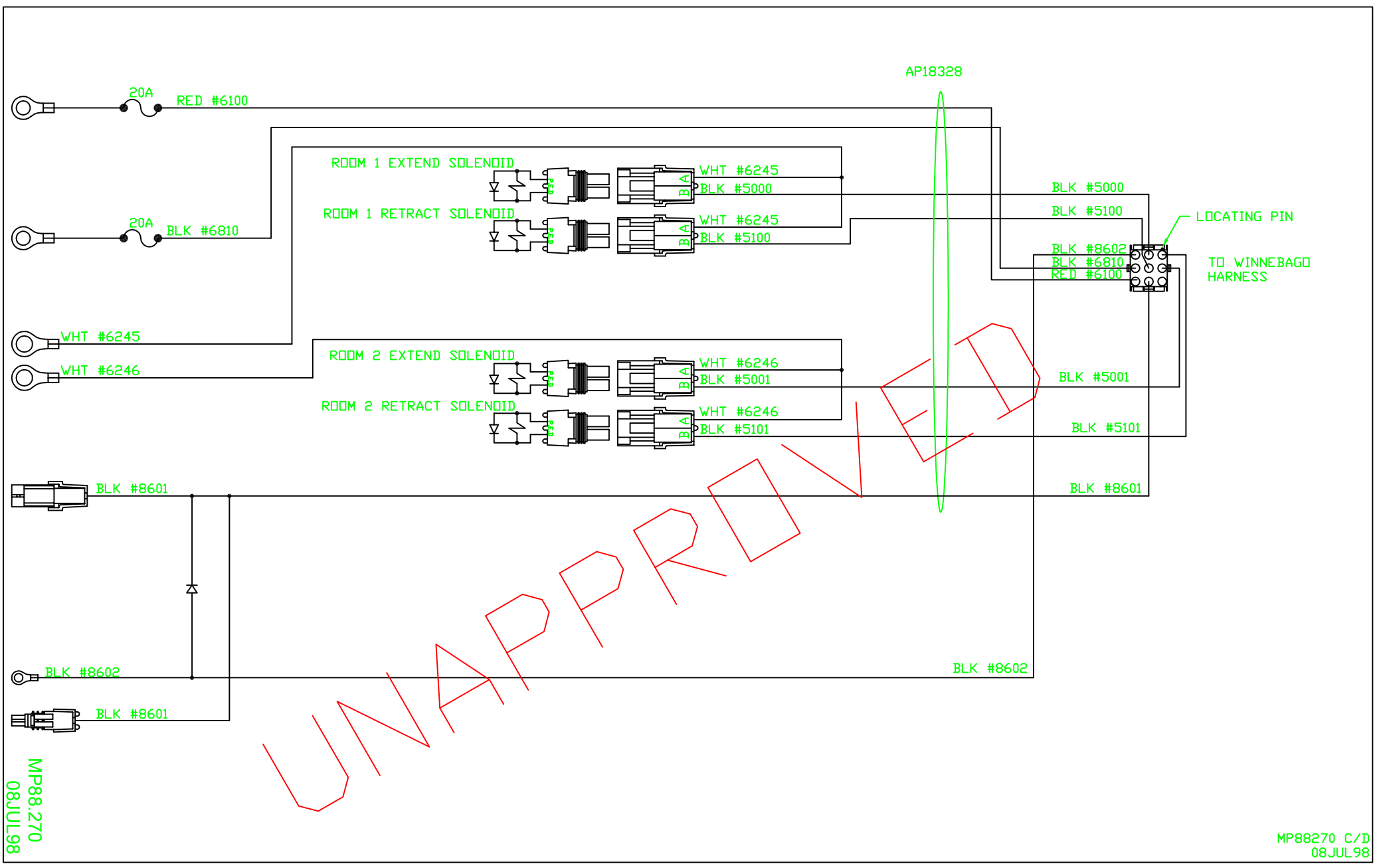
MP88-270A
 08JUL98

			HWH			I-80 EXIT 267 SOUTH RT 1 MOSCOW, IDWA 52760		
			SCALE 1:2	DATE 08JUL98	DRAWN BY .			
1	21DEC99	ADDED DIODE ON PAGE B						
NO.	DATE	REVISION						
THE INFORMATION DISCLOSED ON THIS DRAWING IS CONFIDENTIAL AND MUST NOT BE DISCLOSED OR USED IN ANY MANNER WHICH WILL BE DETRIMENTAL TO THE HWH CORPORATION						SCHEMATIC SYSTEM		
ELECTRICAL						DRAWING NUMBER MP88270 A/D		



MP88270
08JUL98

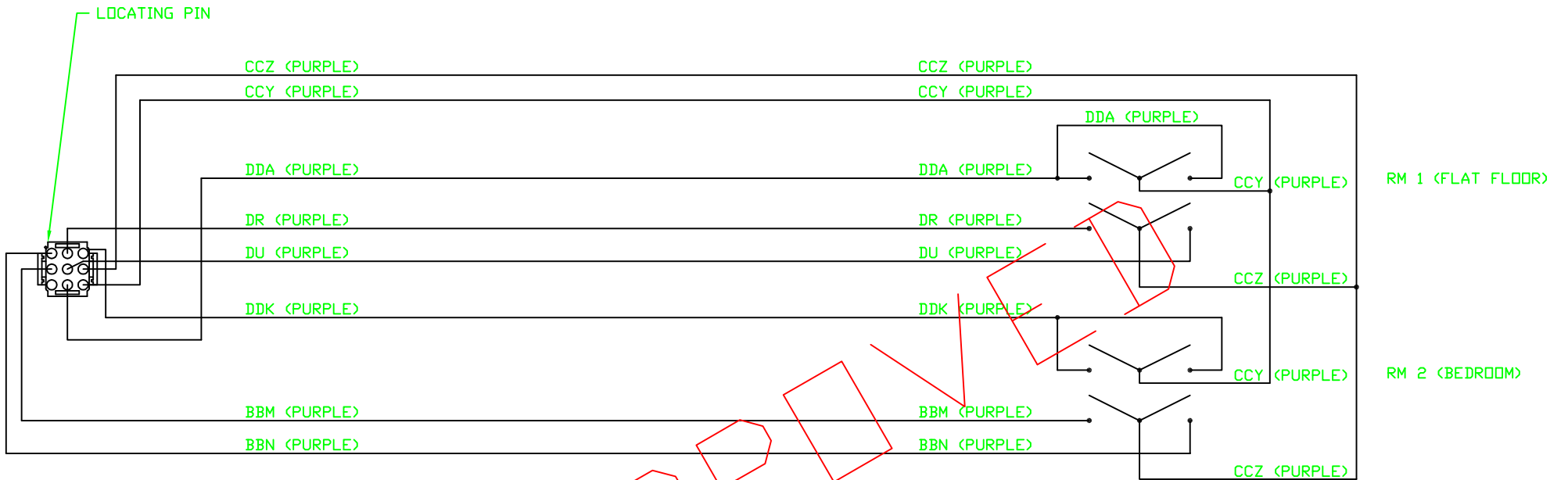
MP88270 B/D
08JUL98



MP88270
08JUL98

MP88270 C/D
08JUL98

NOT SUPPLIED BY HWH



- PIN 1) BBN - ROOM 2 RETRACT
- PIN 2) BBM - ROOM 2 EXTEND
- PIN 3) NC
- PIN 4) DR - ROOM 1 EXTEND
- PIN 5) DU - ROOM 1 RETRACT
- PIN 6) DDA - ROOM 1 PUMP RELAY
- PIN 7) DDK - ROOM 2 PUMP RELAY CONTROL
- PIN 8) CCZ - SWITCHED BATTERY POWER
- PIN 9) CCY - BATTERY POWER

UNAPPROVED

MP88.270
08JUL98

MP88270 D/D
08JUL98