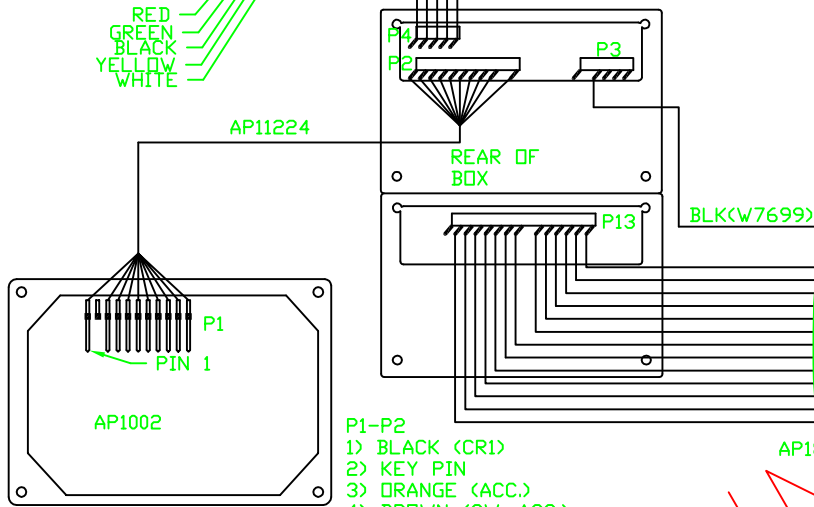


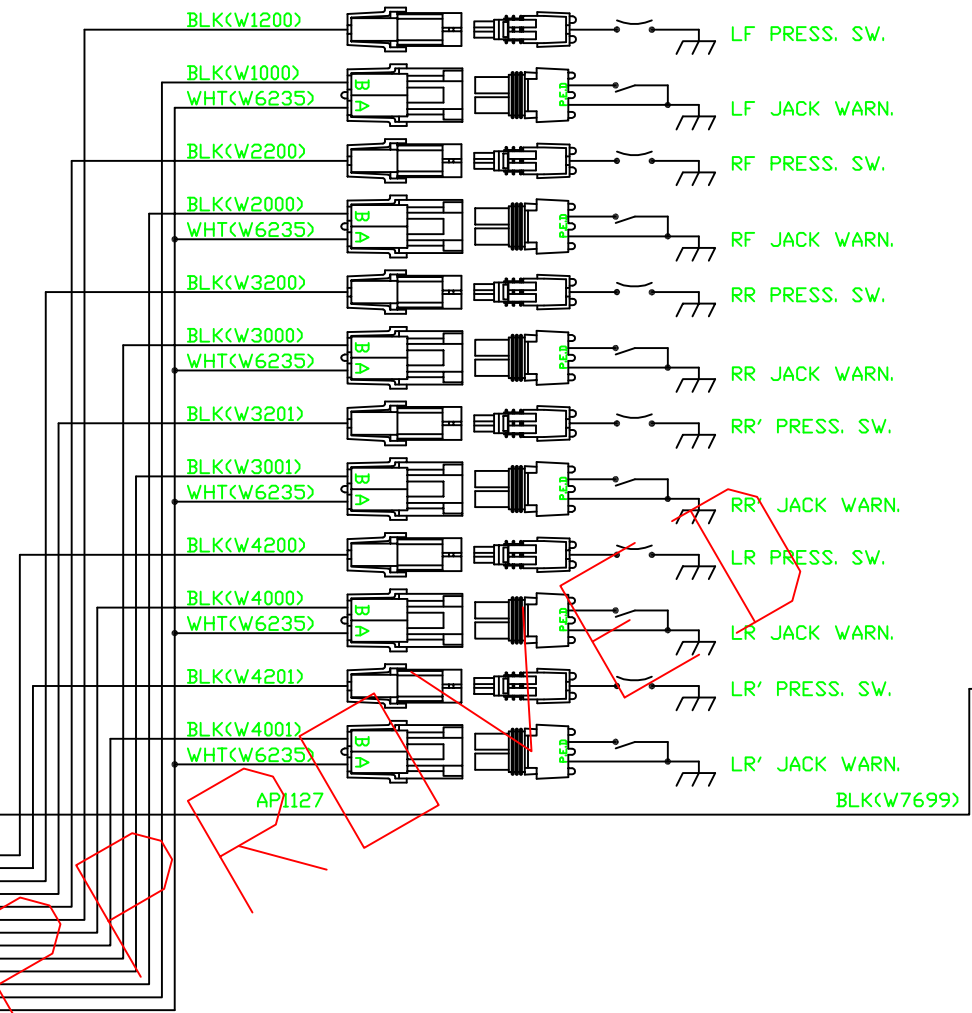
- P4
- 1) FR SENSE
 - 2) LS SENSE.
 - 3) REAR SENSE
 - 4) RS SENSE.
 - 5) GND

- P13
- 1) LR PRESS SW
 - 2) LR' PRESS SW
 - 3) RR PRESS SW
 - 4) RR' PRESS SW
 - 5) RF PRESS SW
 - 6) LF PRESS SW
 - 7) KEYING PIN
 - 8) LR WARN
 - 9) LR' WARN
 - 10) RR WARN
 - 11) RR' WARN
 - 12) RF WARN
 - 13) LF WARN
 - 14) GND
 - 15) NC

- P3
- 1) NC
 - 2) NC
 - 3) NC
 - 4) WARN LIGHT CONTROL
 - 5) KEY PIN
 - 6) NC



- P1-P2
- 1) BLACK (CR1)
 - 2) KEY PIN
 - 3) ORANGE (ACC.)
 - 4) BROWN (SW. ACC.)
 - 5) RED (NOT USED)
 - 6) PURPLE (NOT USED)
 - 7) WHITE (GND)
 - 8) GREEN/BLACK (TRAVEL)
 - 9) NC
 - 10) YELLOW (SCL)
 - 11) BLUE (SDL)



MP88.40
14DEC9

NO.	DATE	REVISION

HWH I-80 EXIT 267 SOUTH
RT 1 MOSCOW, IDWA 52760

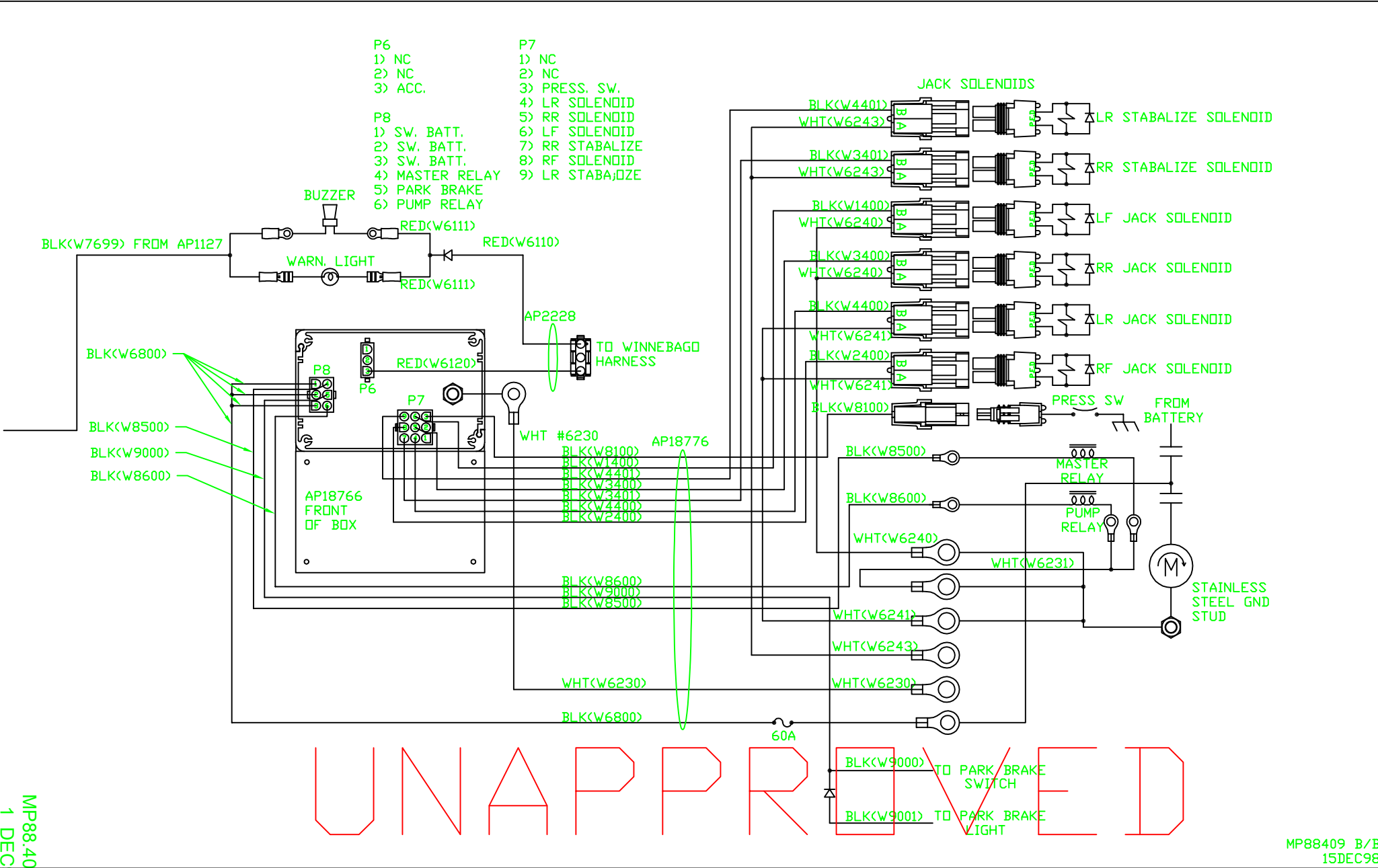
SCALE 1:2 DATE 14DEC98 DRAWN BY .

SCHEMATIC SYSTEM

THE INFORMATION DISCLOSED ON THIS DRAWING IS CONFIDENTIAL AND MUST NOT BE DISCLOSED OR USED IN ANY MANNER WHICH WILL BE DETRIMENTAL TO THE HWH CORPORATION

DRAWING NUMBER
MP88409 A/B

- P6
 1) NC
 2) NC
 3) ACC.
- P7
 1) NC
 2) NC
 3) PRESS. SW.
 4) LR SOLENOID
 5) RR SOLENOID
 6) LF SOLENOID
 7) RR STABILIZE
 8) RF SOLENOID
 9) LR STABILIZE
- P8
 1) SW. BATT.
 2) SW. BATT.
 3) SW. BATT.
 4) MASTER RELAY
 5) PARK BRAKE
 6) PUMP RELAY



UNAPPROVED

MP88.40
1 DEC9

MP88409 B/B
15DEC98