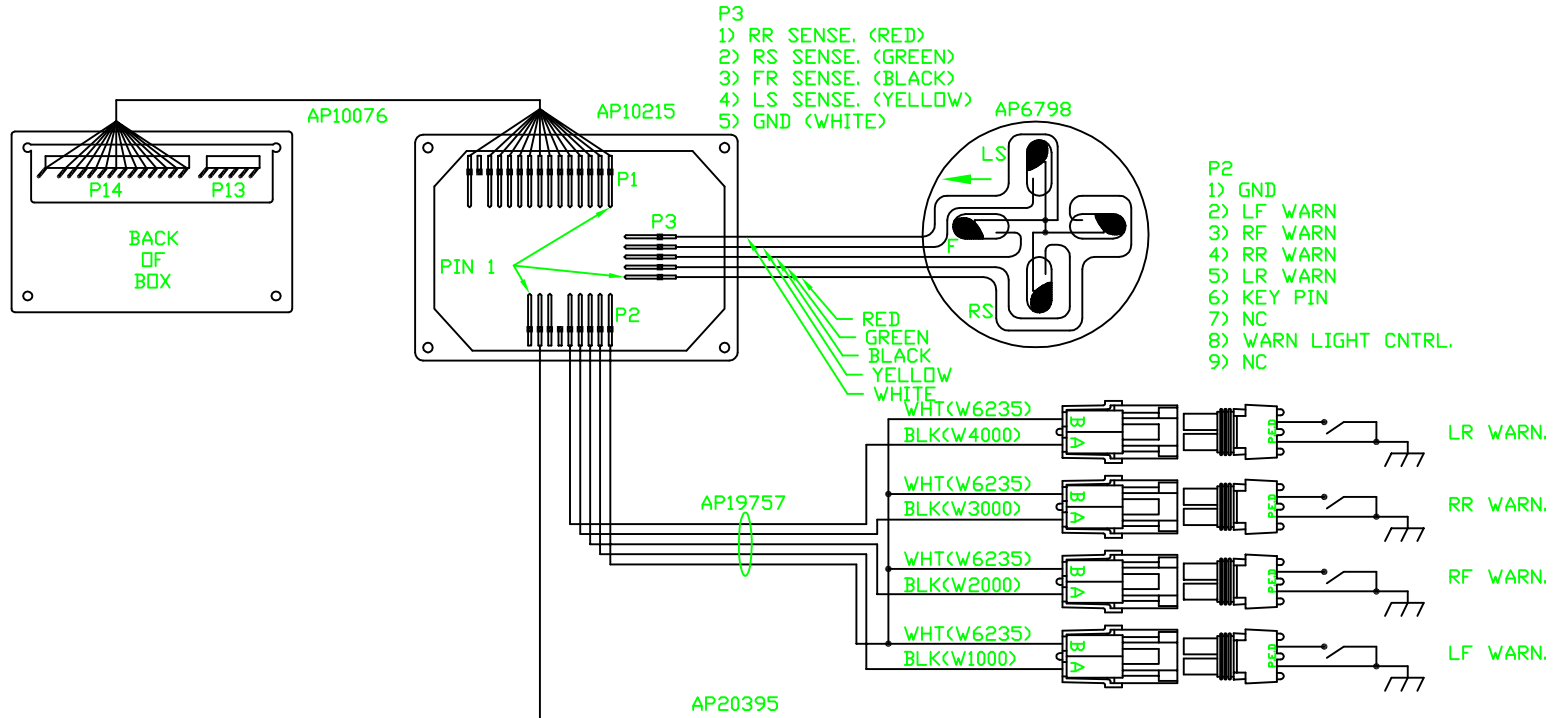


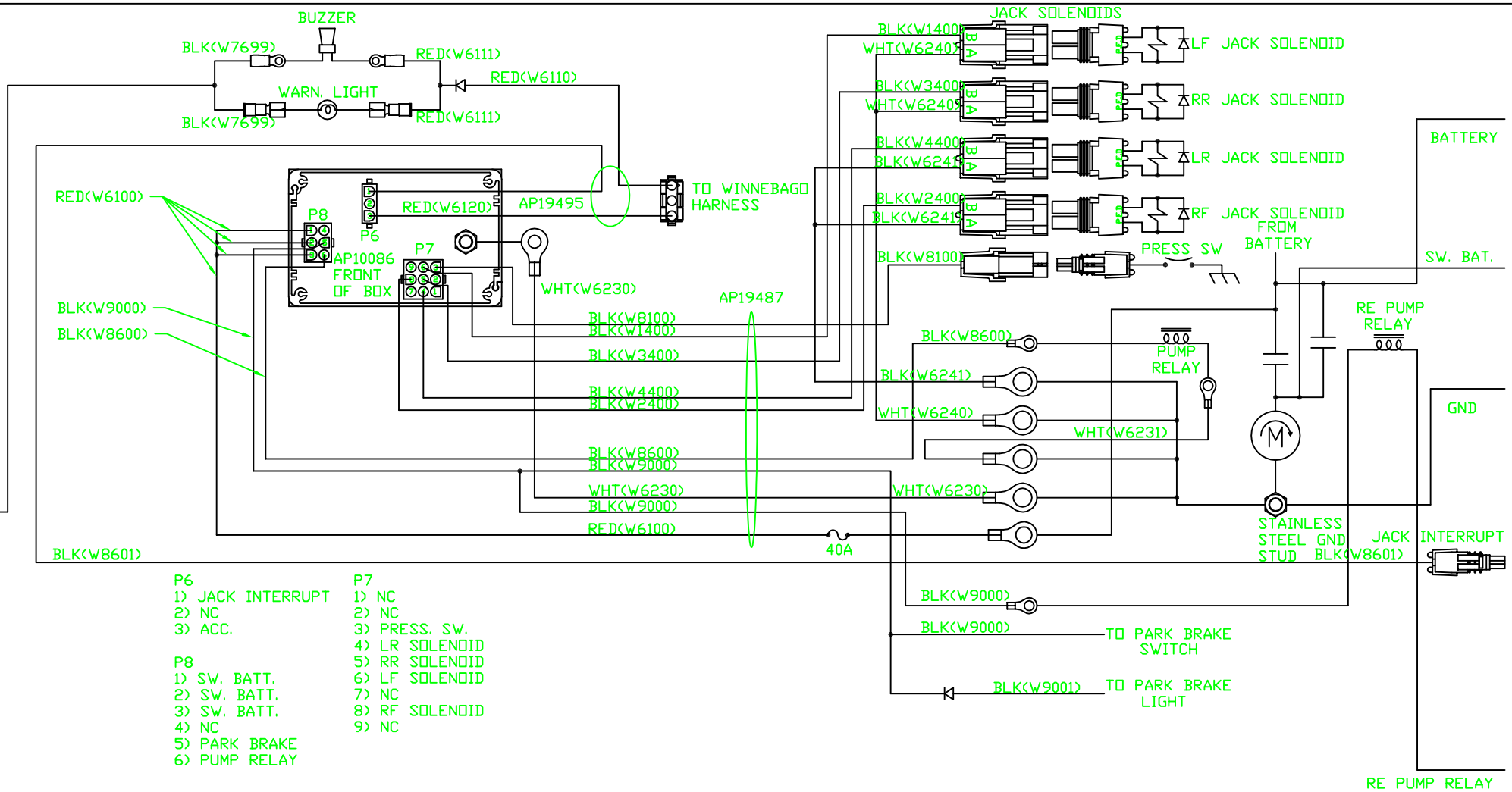
UNAPPROVED

- P14 - P1
- 1) BLUE (WARN SENSE)
 - 2) BROWN (SERIES)
 - 3) GRAY (SW. ACC.)
 - 4) PURPLE (FUSED ACC.)
 - 5) BLACK/WHITE (STORE RETURN)
 - 6) BLACK (PARK BRAKE)
 - 7) WHITE/BLACK (GND)
 - 8) WHITE (DUMP)
 - 9) ORANGE/BLACK (STORE)
 - 10) ORANGE (PUMP)
 - 11) GREEN (LF)
 - 12) GREEN/BLACK (LR)
 - 13) RED/BLACK (RR)
 - 14) NC (KEYING PIN)
 - 15) RED (RF)



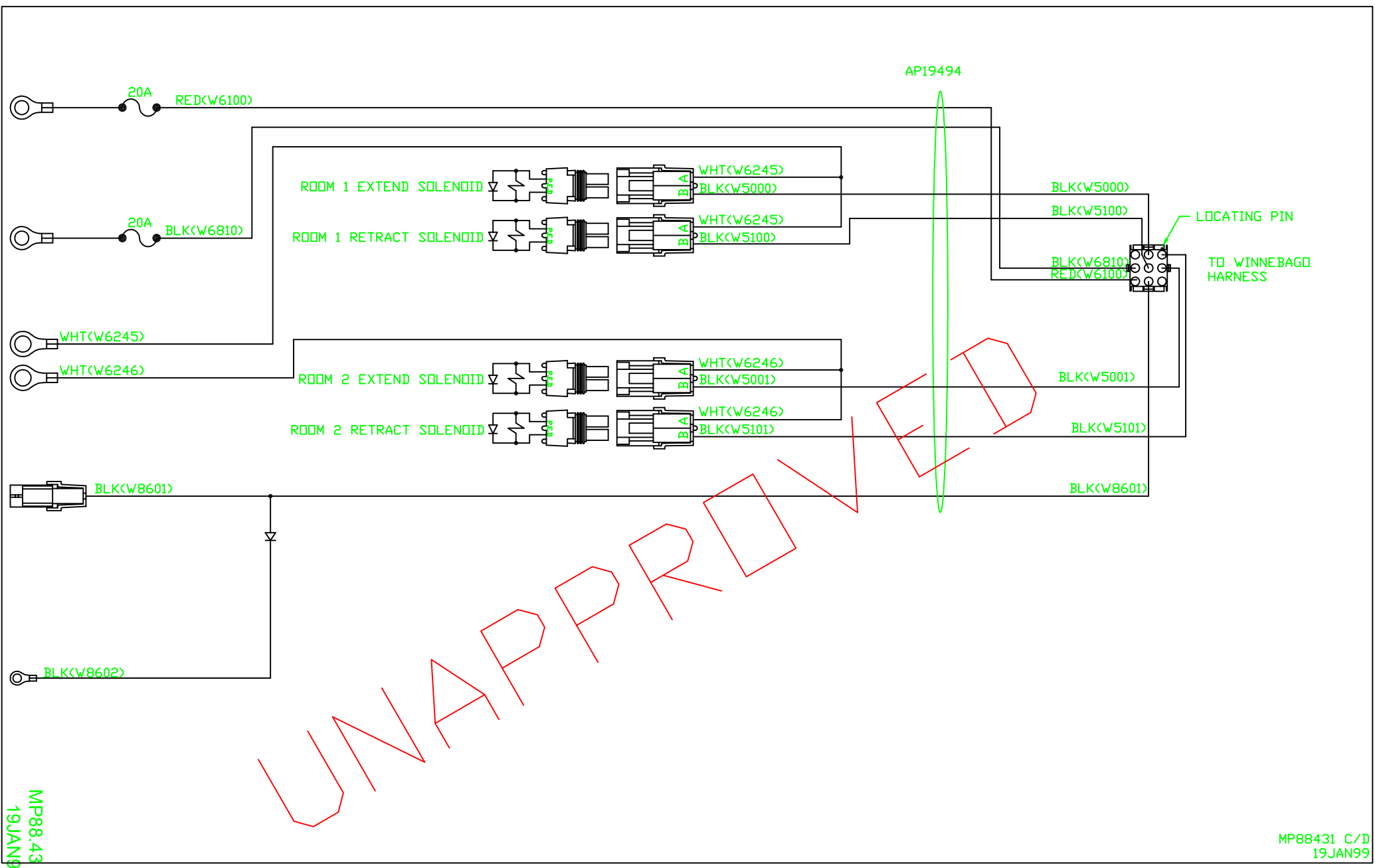
MP88.43
19JAN9

		HWH I-80 EXIT 267 SOUTH RT 1 MOSCOW, IOWA 52760	
		SCALE 1:2	DATE 19JAN99
		DRAWN BY .	
NO.	DATE	REVISION	
		SCHEMATIC SYSTEM	
		ELECTRICAL	DRAWING NUMBER MP88431 A/D
THE INFORMATION DISCLOSED ON THIS DRAWING IS CONFIDENTIAL AND MUST NOT BE DISCLOSED OR USED IN ANY MANNER WHICH WILL BE DETRIMENTAL TO THE HWH CORPORATION			



- | | |
|-------------------|----------------|
| P6 | P7 |
| 1) JACK INTERRUPT | 1) NC |
| 2) NC | 2) NC |
| 3) ACC. | 3) PRESS. SW. |
| P8 | 4) LR SOLENOID |
| 1) SW. BATT. | 5) RR SOLENOID |
| 2) SW. BATT. | 6) LF SOLENOID |
| 3) SW. BATT. | 7) NC |
| 4) NC | 8) RF SOLENOID |
| 5) PARK BRAKE | 9) NC |
| 6) PUMP RELAY | |

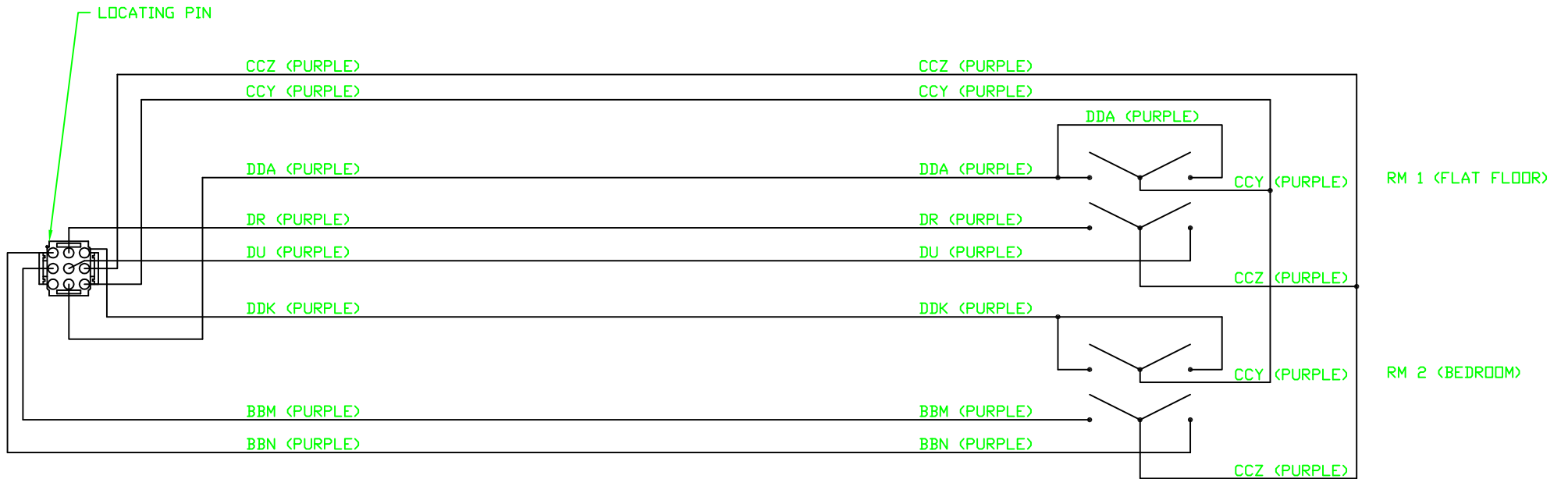
UNAPPROVED



MP88.43
19JAN9

MP88431 C/D
19JAN99

NOT SUPPLIED BY HWH



- PIN 1) BBN - ROOM 2 RETRACT
- PIN 2) BBM - ROOM 2 EXTEND
- PIN 3) NC
- PIN 4) DR - ROOM 1 EXTEND
- PIN 5) DU - ROOM 1 RETRACT
- PIN 6) DDA - ROOM 1 PUMP RELAY
- PIN 7) DDK - ROOM 2 PUMP RELAY CONTROL
- PIN 8) CCZ - SWITCHED BATTERY POWER
- PIN 9) CCY - BATTERY POWER

UNAPPROVED