

- P6  
 1) JACK INTERRUPT  
 2) NC  
 3) ACC.
- P7  
 1) NC  
 2) NC  
 3) PRESS. SW.  
 4) LR SOLENOID  
 5) RR SOLENOID  
 6) LF SOLENOID  
 7) TRAVEL  
 8) RF SOLENOID  
 9) DUMP VALVE
- P8  
 1) SW. BATT.  
 2) SW. BATT.  
 3) SW. BATT.  
 4) NC  
 5) PARK BRAKE  
 6) PUMP RELAY

MP88.44  
07APR99

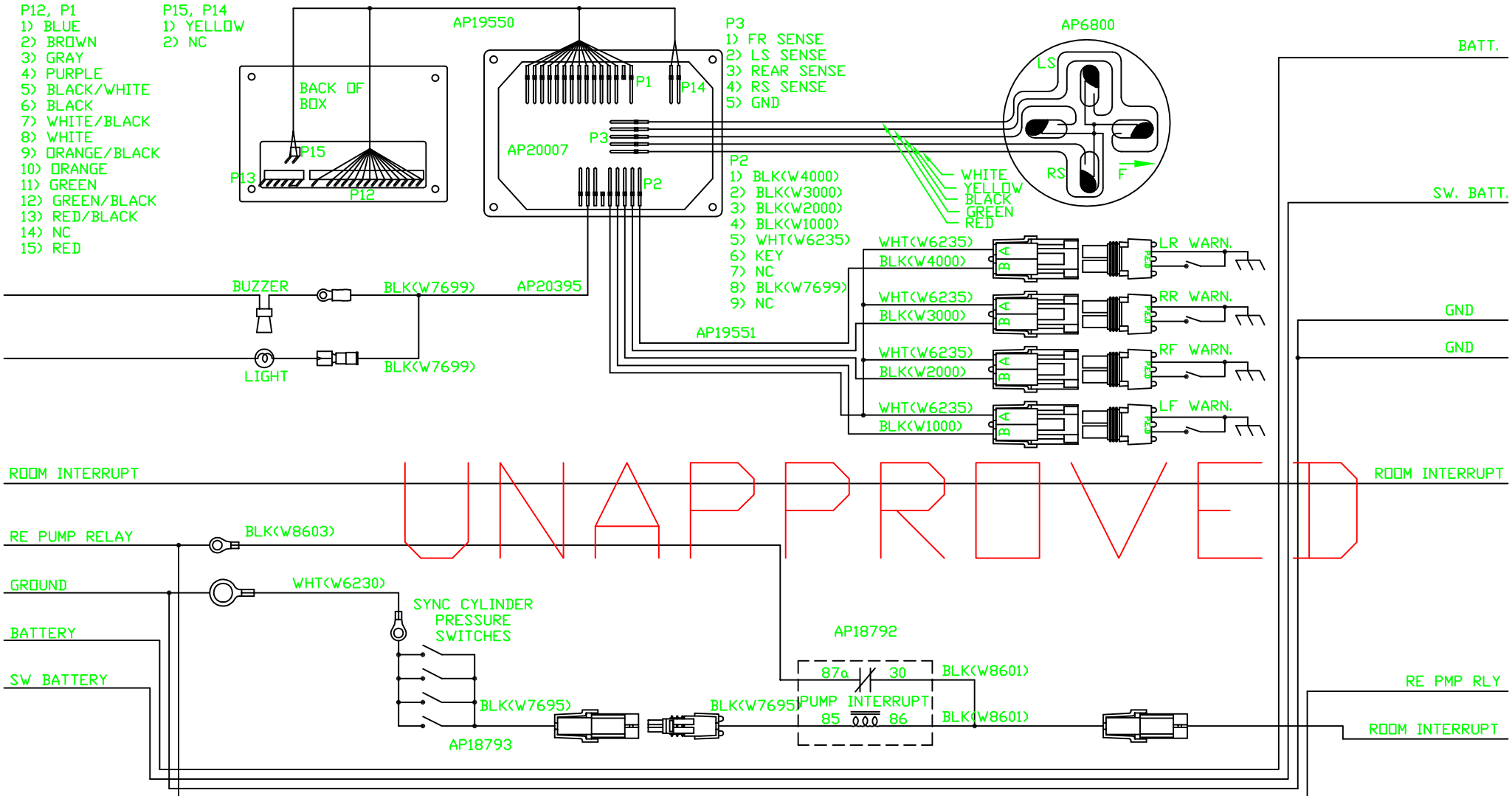
			HWH I-80 EXIT 267 SOUTH RT 1 MOSCOW, IOWA 52760		
			SCALE 1:2	DATE 07APR99	DRAWN BY .
1	21DEC99	ADDED DIODE ON W9000	SCHEMATIC SYSTEM		
NO.	DATE	REVISION			
THE INFORMATION DISCLOSED ON THIS DRAWING IS CONFIDENTIAL AND MUST NOT BE DISCLOSED OR USED IN ANY MANNER WHICH WILL BE DETRIMENTAL TO THE HWH CORPORATION			ELECTRICAL		DRAWING NUMBER MP88442 A/D

- P12, P1  
 1) BLUE  
 2) BROWN  
 3) GRAY  
 4) PURPLE  
 5) BLACK/WHITE  
 6) BLACK  
 7) WHITE/BLACK  
 8) WHITE  
 9) ORANGE/BLACK  
 10) ORANGE  
 11) GREEN  
 12) GREEN/BLACK  
 13) RED/BLACK  
 14) NC  
 15) RED

- P15, P14  
 1) YELLOW  
 2) NC

- P3  
 1) FR SENSE  
 2) LS SENSE  
 3) REAR SENSE  
 4) RS SENSE  
 5) GND

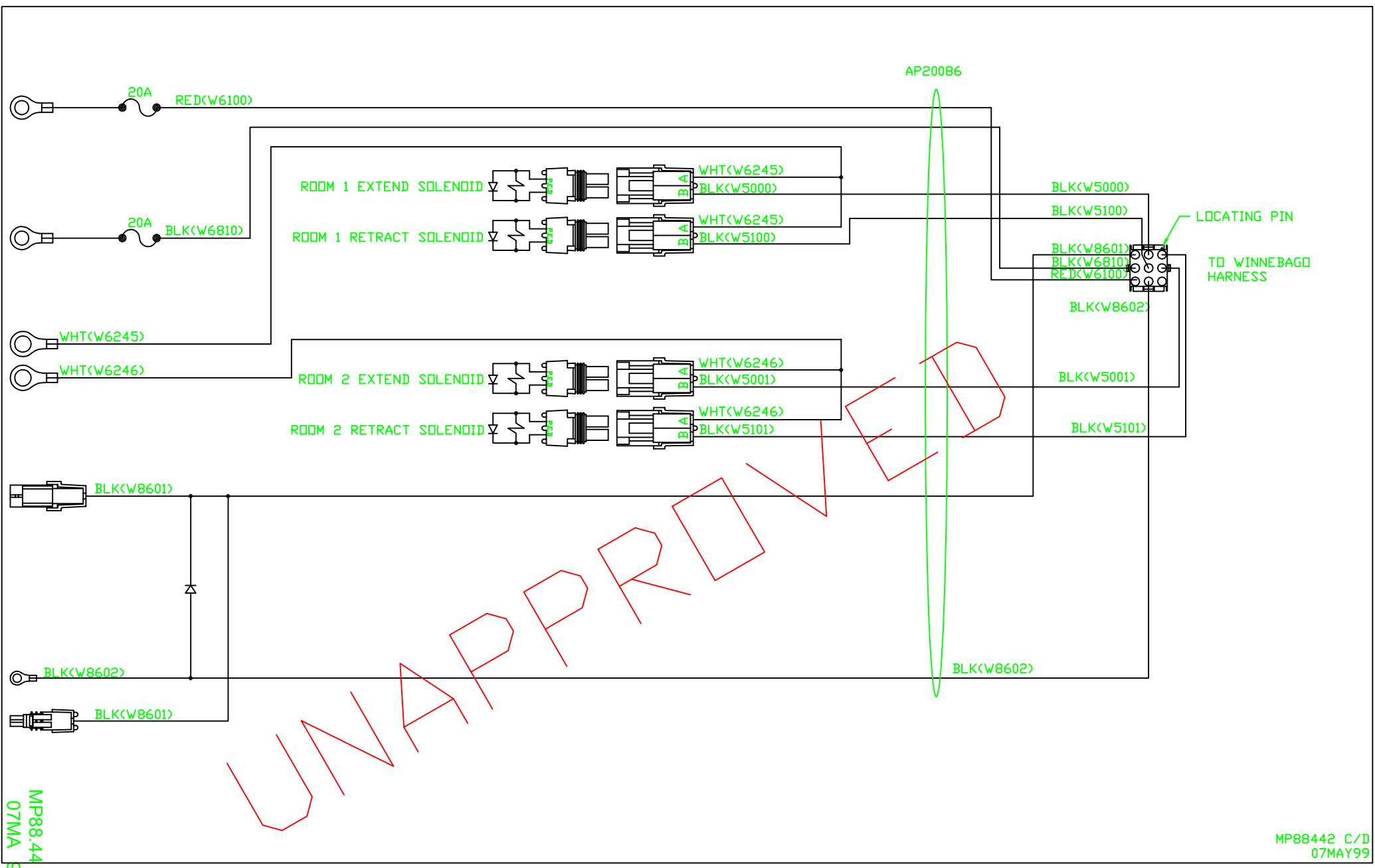
- P2  
 1) BLK(W4000)  
 2) BLK(W3000)  
 3) BLK(W2000)  
 4) BLK(W1000)  
 5) WHT(W6235)  
 6) KEY  
 7) NC  
 8) BLK(W7699)  
 9) NC



UNAPPROVED

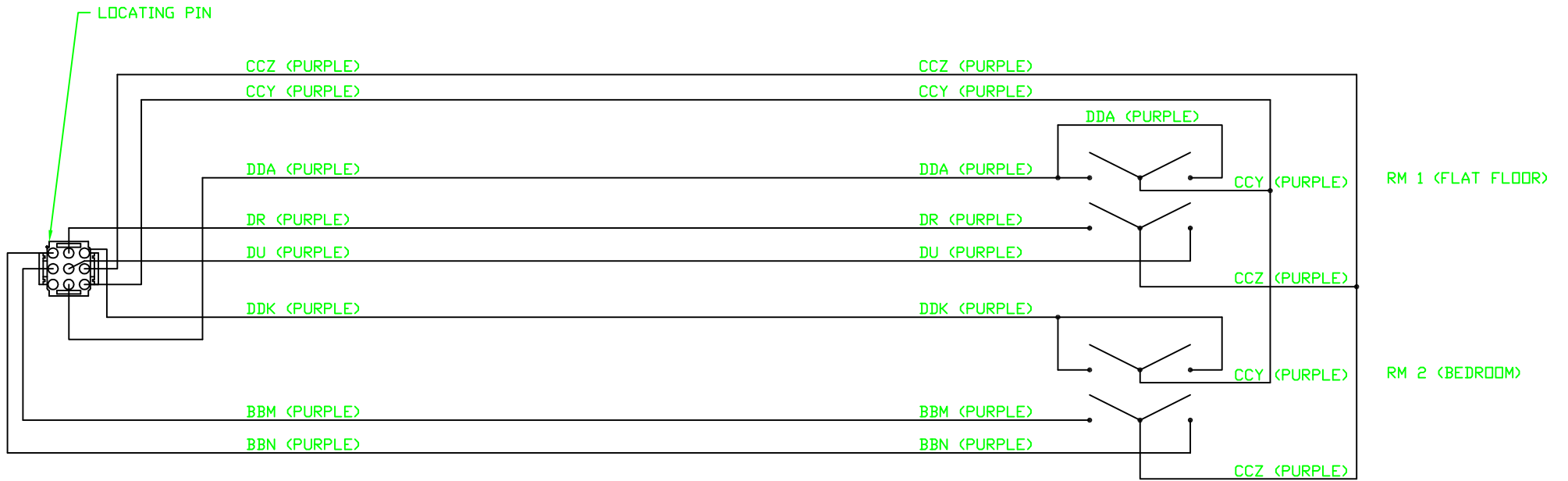
MP88.44  
07APR99

MP88442 B/D  
07APR99



UNAPPROVED

NOT SUPPLIED BY HWH



- PIN 1) BBN - ROOM 2 RETRACT
- PIN 2) BBM - ROOM 2 EXTEND
- PIN 3) NC
- PIN 4) DR - ROOM 1 EXTEND
- PIN 5) DU - ROOM 1 RETRACT
- PIN 6) DDA - ROOM 1 PUMP RELAY
- PIN 7) DDK - ROOM 2 PUMP RELAY CONTROL
- PIN 8) CCZ - SWITCHED BATTERY POWER
- PIN 9) CCY - BATTERY POWER

UNAPPROVED